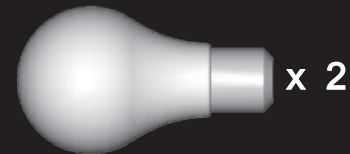


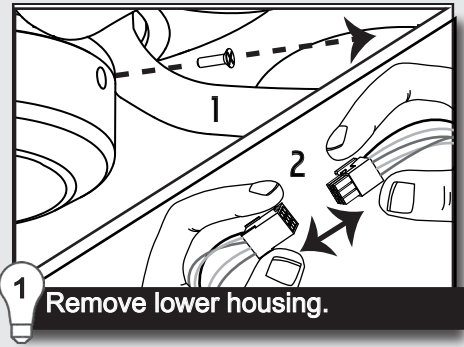
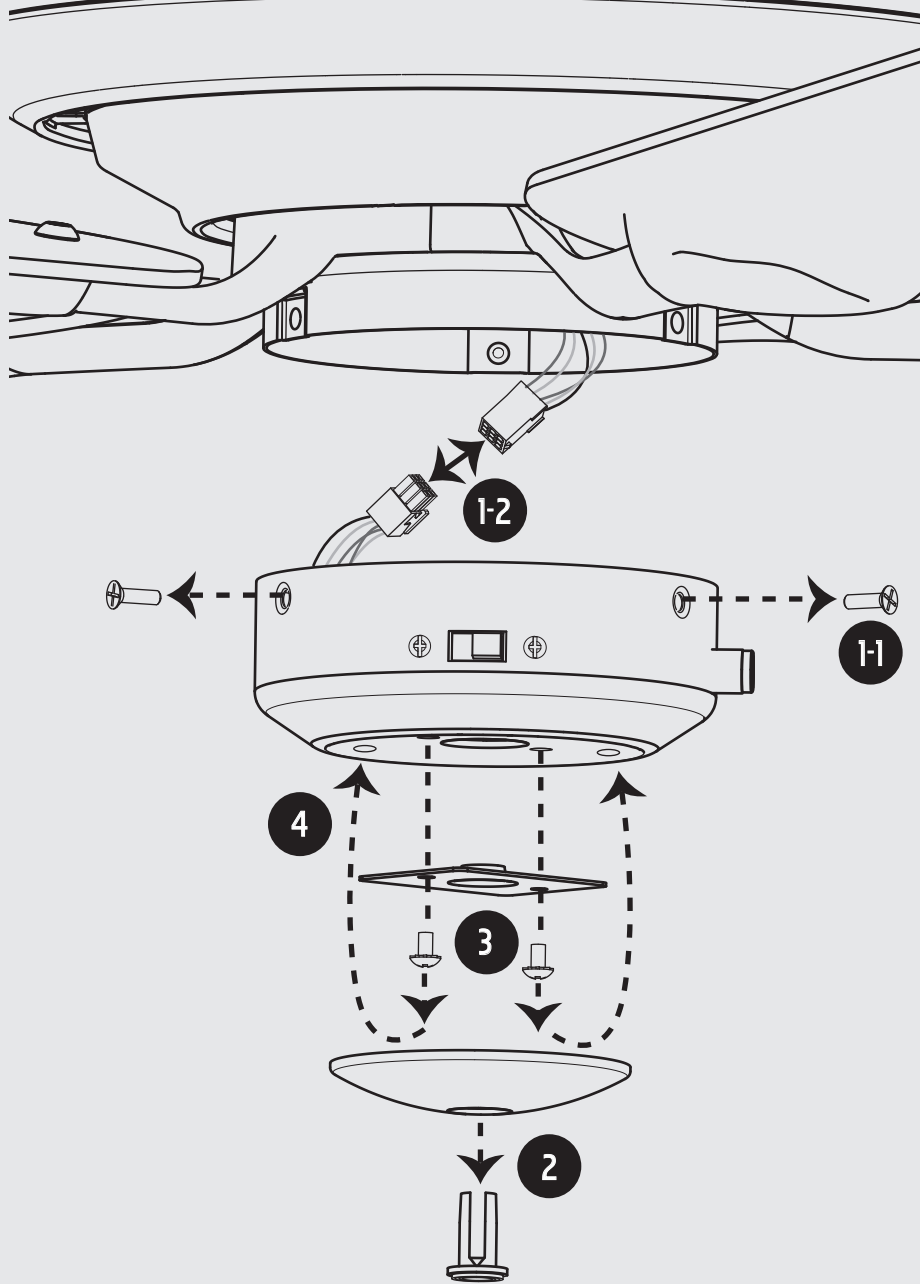
Light Kit Installation



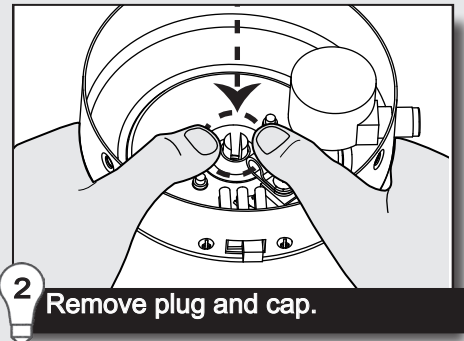
41530-01 03/25/2008



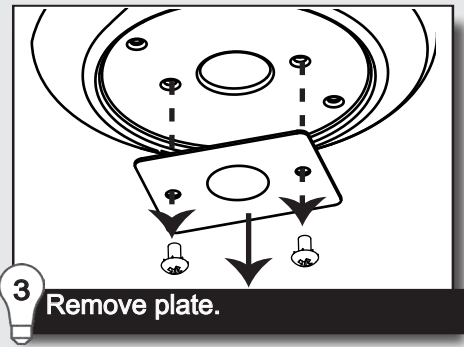
A-15
60 W Max



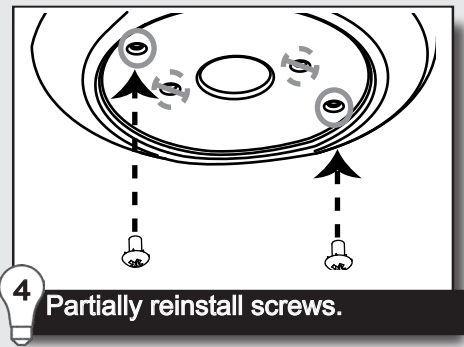
1 Remove lower housing.



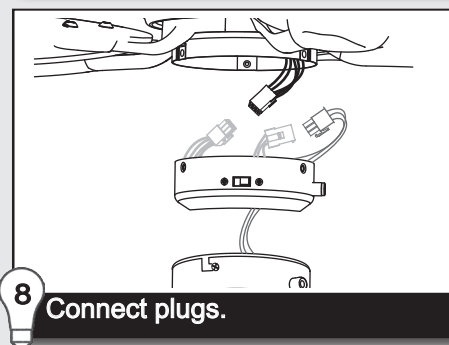
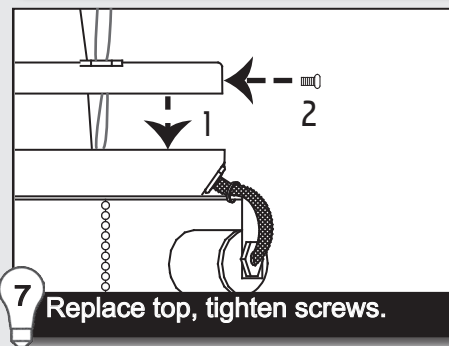
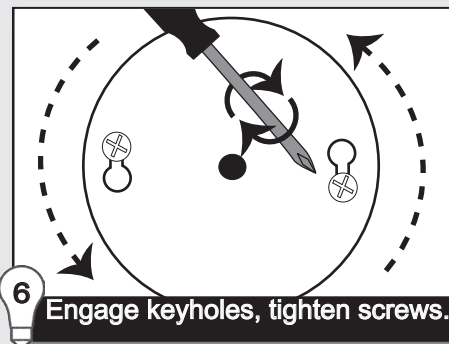
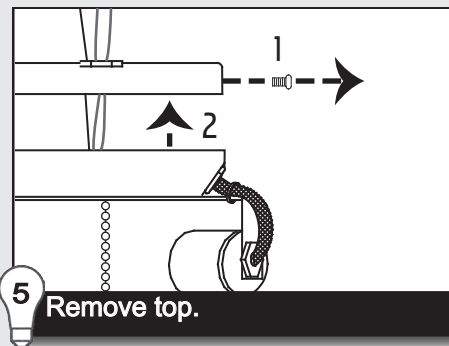
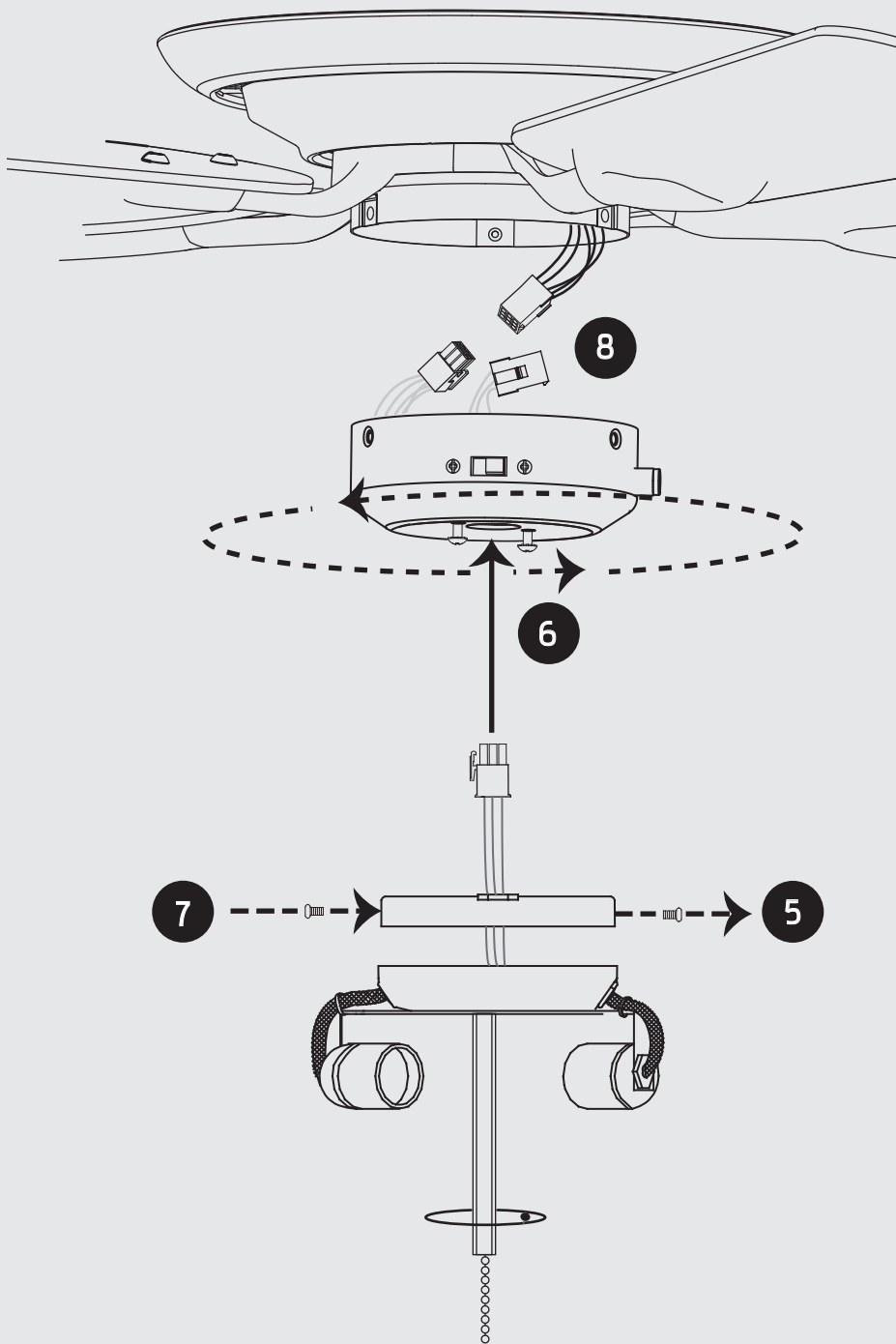
2 Remove plug and cap.

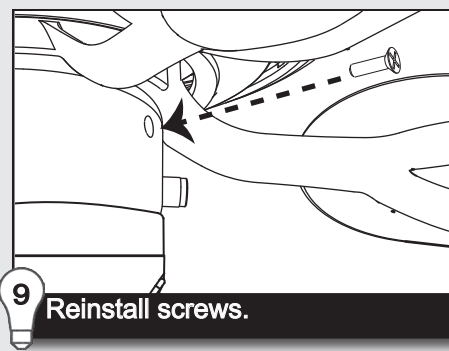
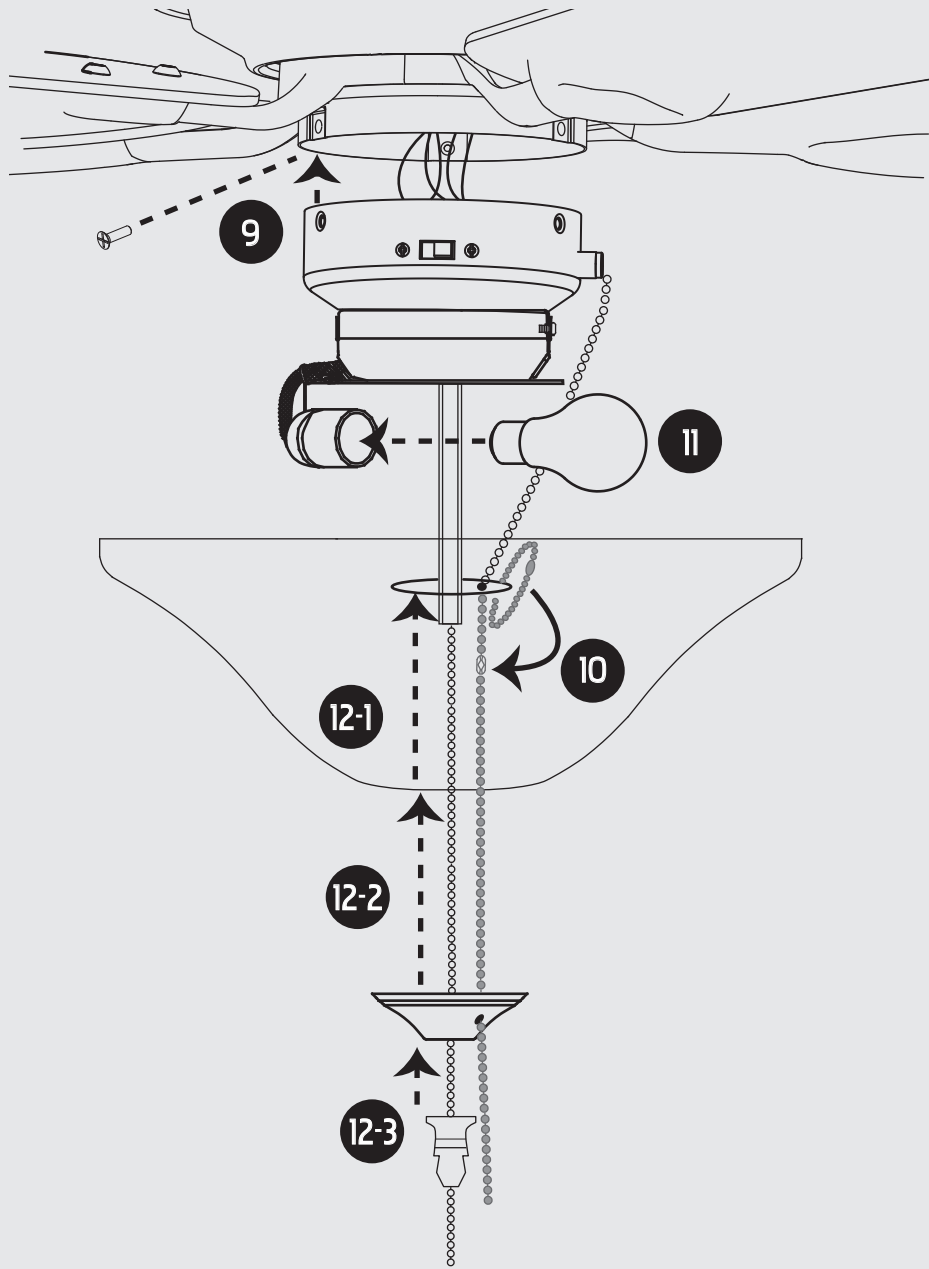


3 Remove plate.

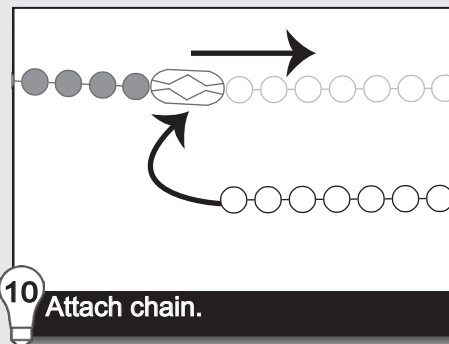


4 Partially reinstall screws.

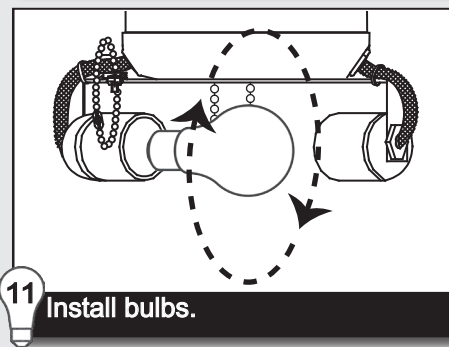




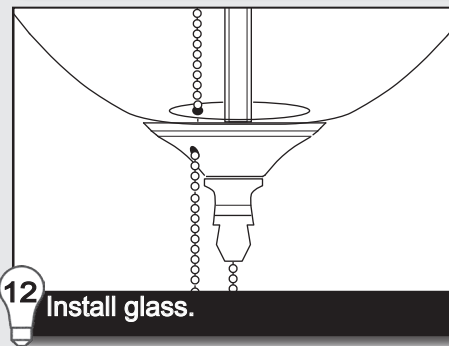
9 Reinstall screws.



10 Attach chain.



11 Install bulbs.



12 Install glass.



READ ENTIRE TEXT CAREFULLY BEFORE BEGINNING INSTALLATION AND SAVE THESE INSTRUCTIONS.

WARNING!

- To reduce the risk of electrical shock and fire, install this light kit only on Hunter suspended ceiling fans.
- To avoid possible electrical shock, before installing light fixtures, disconnect power by turning off the circuit breakers both to the outlet box and to its associated wall switch location. If you cannot lock the circuit breakers in the off position, securely fasten a prominent warning device, such as a tag, to the service panel.
- Connect house wiring to the fan before attaching the light fixture to the fan.
- All wiring must be in accordance with national and local electrical codes. If you are unfamiliar with wiring, you should use a qualified electrician. Professional installation is recommended.
- Suitable for indoors at 40° C.

NOTE: WHEN REPLACING BULBS, REPLACE WITH TYPE A-15 (MAX 60W).

Troubleshooting



Problem:

Nothing happens, light does not come on.

Solution:

1. Restore power to the fan.
2. Pull light chain one or two times.
3. Make sure bulbs are properly installed and filament is not blown.
4. Make sure plug connectors are properly connected and locked together.
5. Check light power lead at the ceiling.
6. Contact your local Hunter dealer.



Problem:

Glass rattles.

Solution:

1. Tighten finial.
2. Check pull chains.
3. Contact your local Hunter dealer.