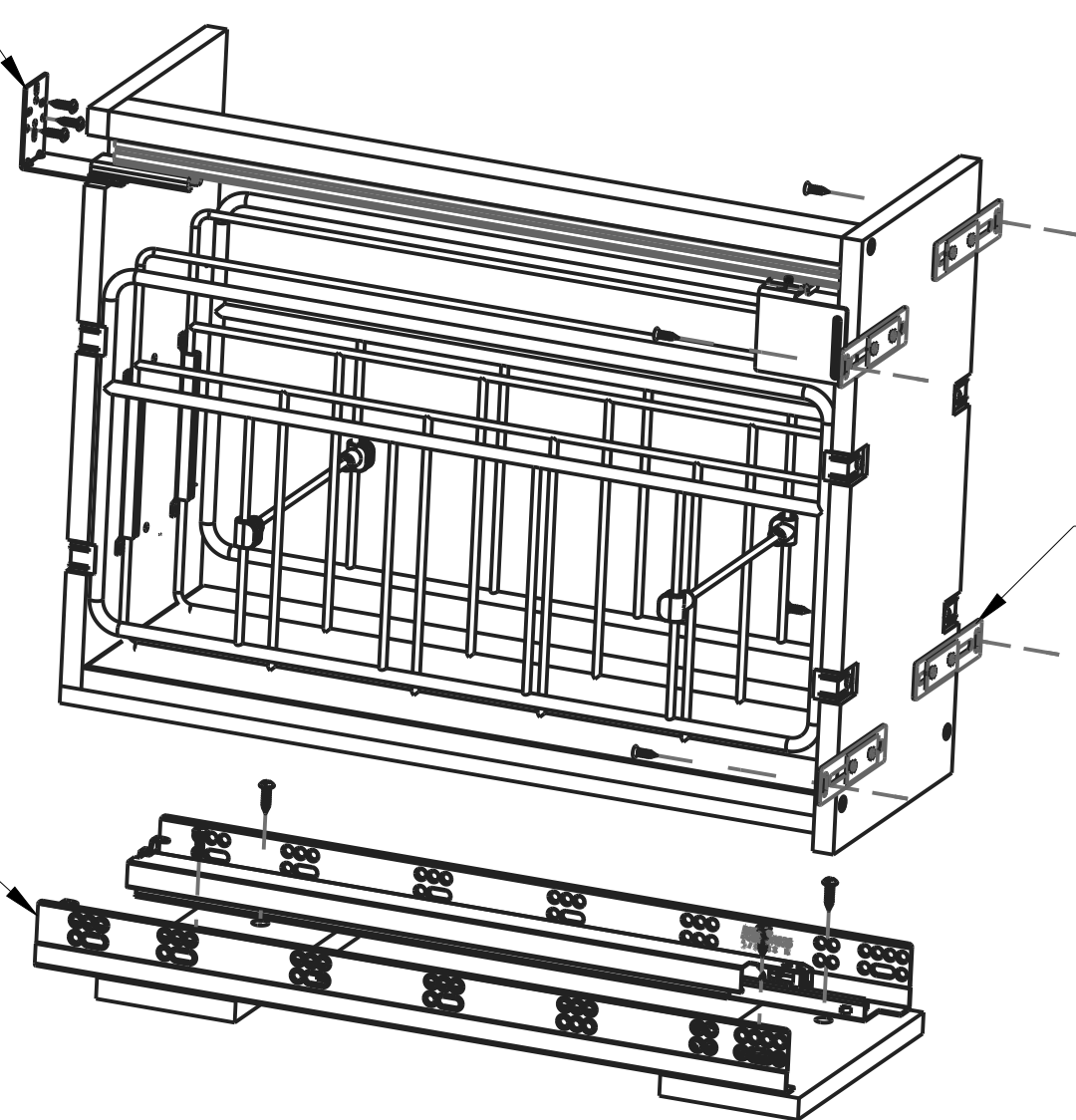


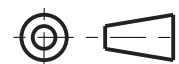
"NO WIGGLE" TOP
SUPPORT MECHANISM
US PATENTED

6 WAY DOOR MOUNTING
ADJUSTABLE SYSTEM
US PATENTED

USE 58-300 SERIES
RUNNER MECHANISM



THIRD ANGLE PROJECTION



**hardware
resources**

MATERIAL

FINISH

N/A

UV COATING

DESCRIPTION

NO WIGGLE TRAY DIVIDER PULLOUT

DRAWN BY
JOEL GOMEZ

DATE
13NOV2019

DESIGNED BY
JOEL GOMEZ

DATE
14AUG2019

APPROVED BY
ALAN CHEN

DATE
19NOV2019

DRAWING NUMBER
BPOTD2_CSD

REV
A

SIZE
A3

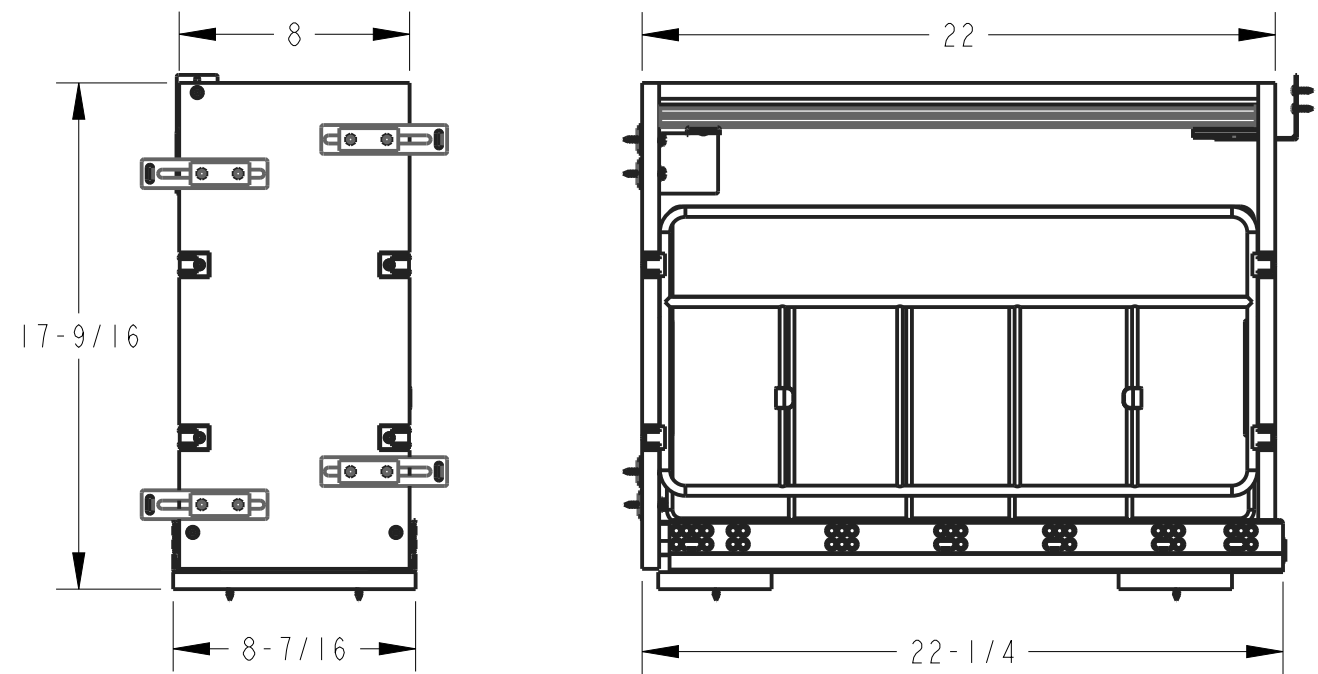
SCALE
0.200

SHEET
1 / 2

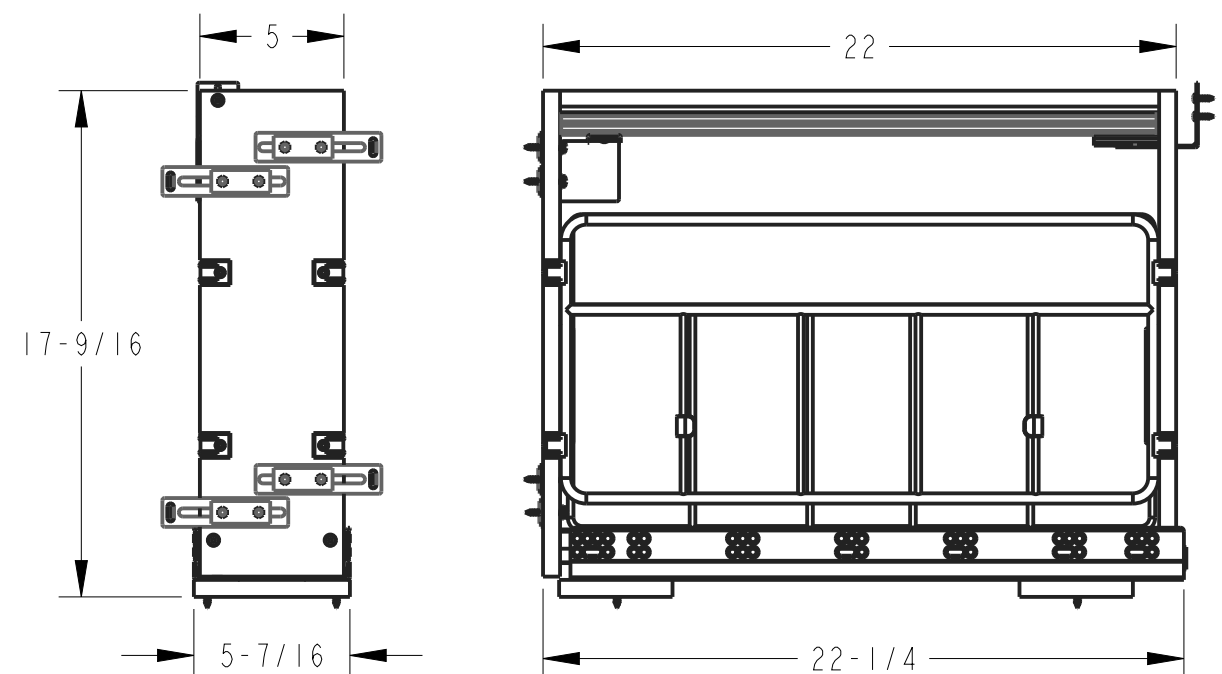
DOCUMENT STATUS Released

HARDWARE RESOURCES RESERVES THE RIGHT TO CHANGE SPECIFICATIONS WITHOUT NOTICE.
IN CASE OF A DISCREPANCY, ACTUAL PART GEOMETRY SUPERSEDES THIS DOCUMENT.

THE INFORMATION CONTAINED WITHIN THIS DRAWING IS THE SOLE PROPERTY OF HARDWARE RESOURCES INC. ANY
REPRODUCTION IN PART OR WHOLE WITHOUT WRITTEN PERMISSION OF HARDWARE RESOURCES INC. IS PROHIBITED.



BPOTD2-8SC



BPOTD2-5SC

| | | |
|-----------------|-------|----------|
| DRAWING NUMBER | | REV |
| BPOTD2_CSD | | A |
| SIZE | SCALE | SHEET |
| A3 | 0.150 | 2 / 2 |
| DOCUMENT STATUS | | Released |