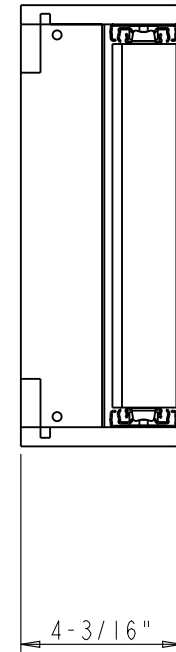
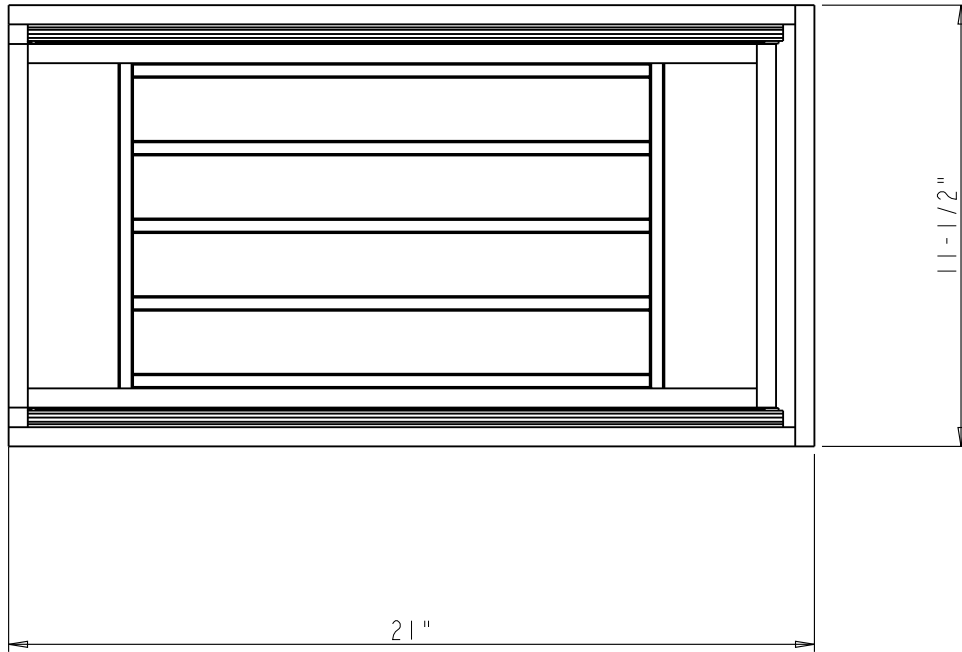


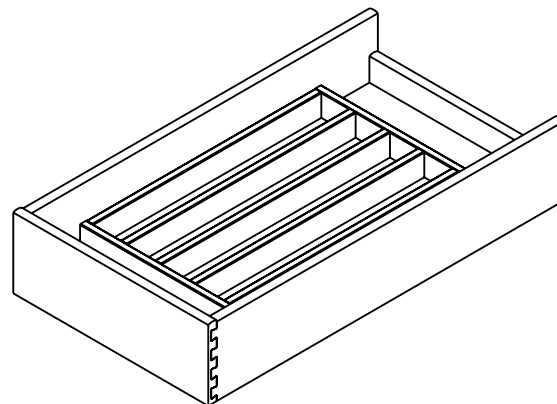
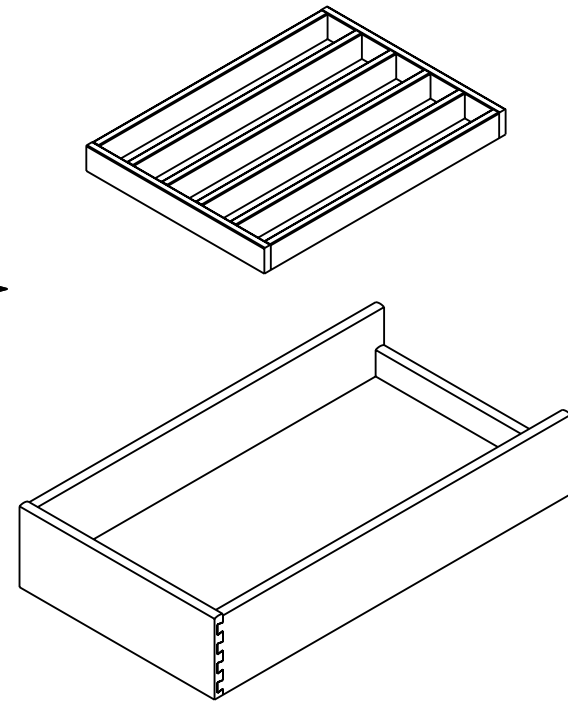
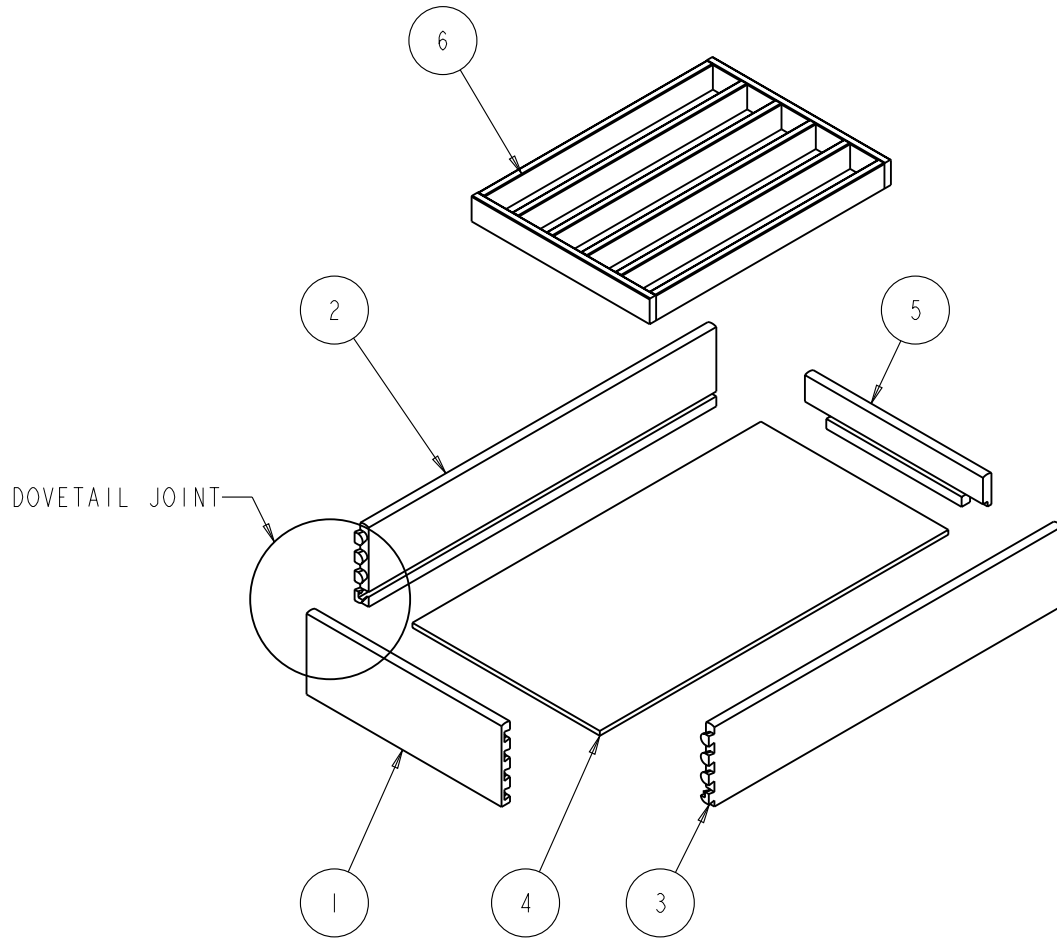
BILLS OF MATERIAL :

NO.	ITEM#	MATERIAL	QTY	UNIT	TOTLE WEIGHT	TYPE	ASSY LEVEL
3	INNER-DRAWER	ASSEMBLY	1			ASSEMBLY	1
2	303FU-20	ASSEMBLY	2			PART	1
1	OUTER-DRAWER	ASSEMBLY	1			ASSEMBLY	1

	ITEM#	DOUBLE-CUTLERY-DRAWER		MATERIAL:	ASSEMBLY
	FINISH:			WEIGHT:	g
PROPRIETARY AND CONFIDENTIAL THE INFORMATION CONTAINED IN THIS DRAWING IS THE SOLE PROPERTY OF HARDWARE RESOURCES INC. ANY REPRODUCTION IN PART OR AS A WHOLE WITHOUT THE WRITTEN PERMISSION OF HARDWARE RESOURCES INC. IS PROHIBITED	TOLERANCE UNLESS OTHERWISE SPECIFIED: X : MM ±0.20 X.X : MM ±0.10 X.XX : MM ±0.05 ANGULAR: ±0.5° DO NOT SCALE DRAWING	UNIT: SIZE:	DRAWN BY: <i>alan.liu</i>	DATE:	PROJECTION:
			CHECKED BY:	DATE:	
			APPROVED BY:	DATE:	



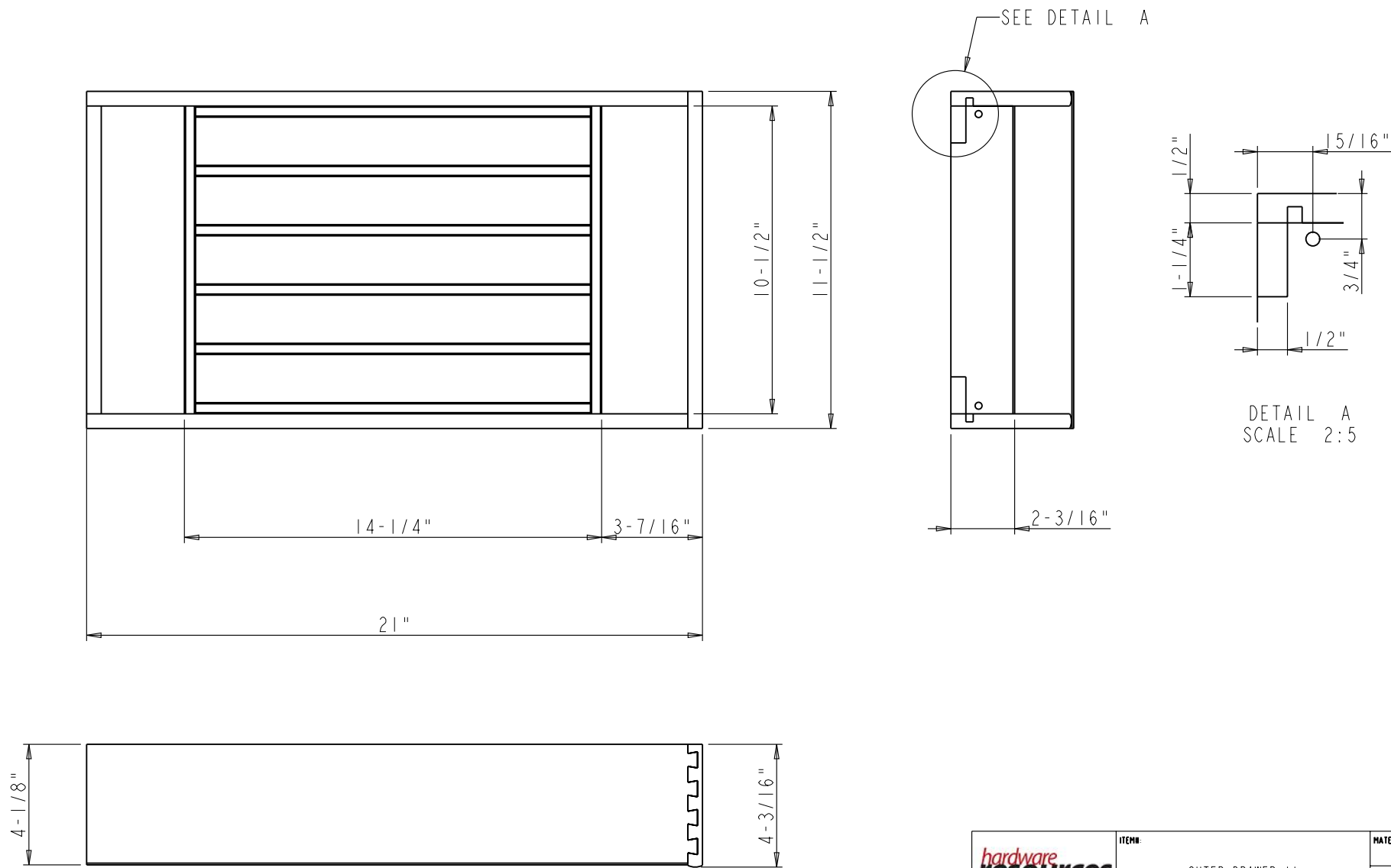
	ITEM#: DOUBLE-CUTLERY-DRAWER-11		MATERIAL: ASSEMBLY		
	FINISH:		WEIGHT: 9		
<p>PROPRIETARY AND CONFIDENTIAL</p> <p>THE INFORMATION CONTAINED IN THIS DRAWING IS THE SOLE PROPERTY OF HARDWARE RESOURCES INC. ANY REPRODUCTION IN PART OR AS A WHOLE WITHOUT THE WRITTEN PERMISSION OF HARDWARE RESOURCES INC. IS PROHIBITED</p>	<p>TOLERANCE UNLESS OTHERWISE SPECIFIED:</p> <p>X : MM ±0.20</p> <p>X.X : MM ±0.10</p> <p>X.XX : MM ±0.05</p> <p>ANGULAR: ±0.5°</p> <p>DO NOT SCALE DRAWING</p>		<p>UNIT:</p>	<p>DRAWN BY:</p> <p><i>alan.liu</i></p>	<p>DATE:</p>
	<p>SIZE:</p>	<p>CHECKED BY:</p>	<p>DATE:</p>	<p>DATE:</p>	<p>DATE:</p>
	<p>APPROVED BY:</p>	<p>DATE:</p>	<p>DATE:</p>	<p>DATE:</p>	<p>DATE:</p>
	<p>PROJECTION:</p>	<p>DATE:</p>	<p>DATE:</p>	<p>DATE:</p>	<p>DATE:</p>



BILLS OF MATERIAL:

NO.	ITEM#	MATERIAL	QTY	UNIT	TOTL WEIGHT	TYPE	ASSY LEVEL
6	FRAME-OUTER	ASSEMBLY	1			ASSEMBLY	1
5	OUTER-BOARD-BACK	Solid Maple	1			PART	1
4	OUTER-BOARD-BTM	Birch Plywood	1			PART	1
3	OUTER-BOARD-SIDE-R	Solid Maple	1			PART	1
2	OUTER-BOARD-SIDE-L	Solid Maple	1			PART	1
1	OUTER-BOARD-FRONT	Solid Maple	1			PART	1

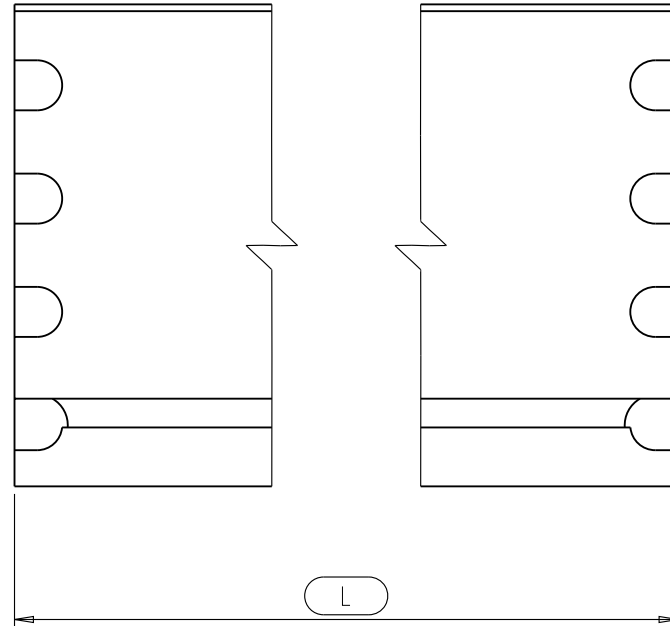
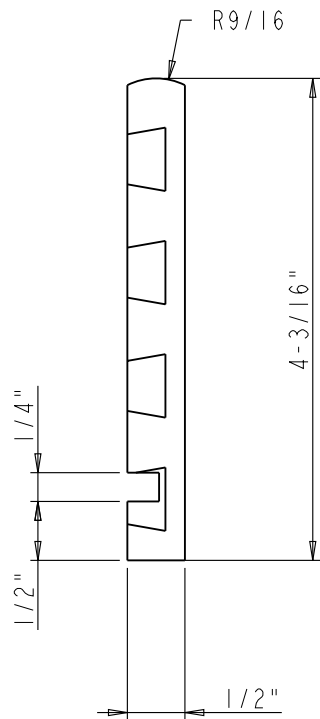
hardware resources	ITEM#	OUTER-DRAWER		MATERIAL:	ASSEMBLY
	FINISH:			WEIGHT:	9
PROPRIETARY AND CONFIDENTIAL THE INFORMATION CONTAINED IN THIS DRAWING IS THE SOLE PROPERTY OF HARDWARE RESOURCES INC. ANY REPRODUCTION IN PART OR AS A WHOLE WITHOUT THE WRITTEN PERMISSION OF HARDWARE RESOURCES INC. IS PROHIBITED.	TOLERANCE UNLESS OTHERWISE SPECIFIED:	UNIT:	DRAWN BY:	DATE:	
	X: MM ±0.20	SIZE:	alan. liu	DATE:	
	X.X: MM ±0.10	CHECKED BY:		DATE:	
	X.XX: MM ±0.05	APPROVED BY:		DATE:	
ANGULAR: ±0.5°	DO NOT SCALE DRAWING				



SEE DETAIL A

DETAIL A
SCALE 2:5

	ITEM:	OUTER-DRAWER-11		MATERIAL:	ASSEMBLY
	FINISH:			WEIGHT:	9
PROPRIETARY AND CONFIDENTIAL THE INFORMATION CONTAINED IN THIS DRAWING IS THE SOLE PROPERTY OF HARDWARE RESOURCES INC. ANY REPRODUCTION IN PART OR AS A WHOLE WITHOUT THE WRITTEN PERMISSION OF HARDWARE RESOURCES INC. IS PROHIBITED.	TOLERANCE UNLESS OTHERWISE SPECIFIED: X : MM ±0.20 XX : MM ±0.10 XXX : MM ±0.05 ANGULAR: ±0.5° DO NOT SCALE DRAWING	UNIT: SIZE:	DRAWN BY: <i>alan.liu</i>	DATE:	PROJECTION:
			CHECKED BY:	DATE:	
			APPROVED BY:	DATE:	



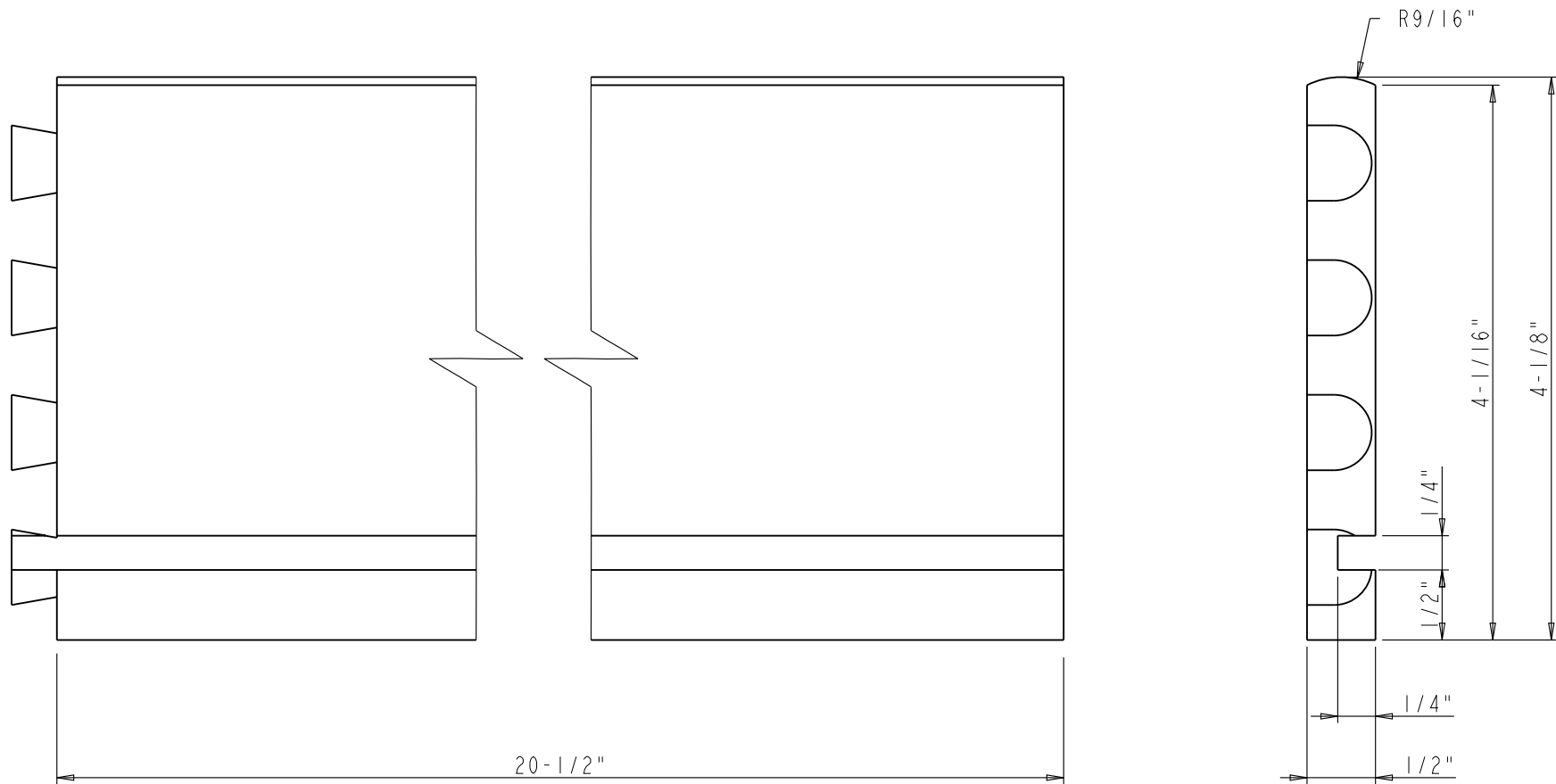
OUTER-BOARD-FRONT SPEC SHEET:


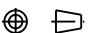
Part Name	L
OUTER-BOARD-FRONT-11"	11-1/2"
OUTER-BOARD-FRONT-14"	14-1/2"
OUTER-BOARD-FRONT-17"	17-1/2"
OUTER-BOARD-FRONT-20"	20-1/2"

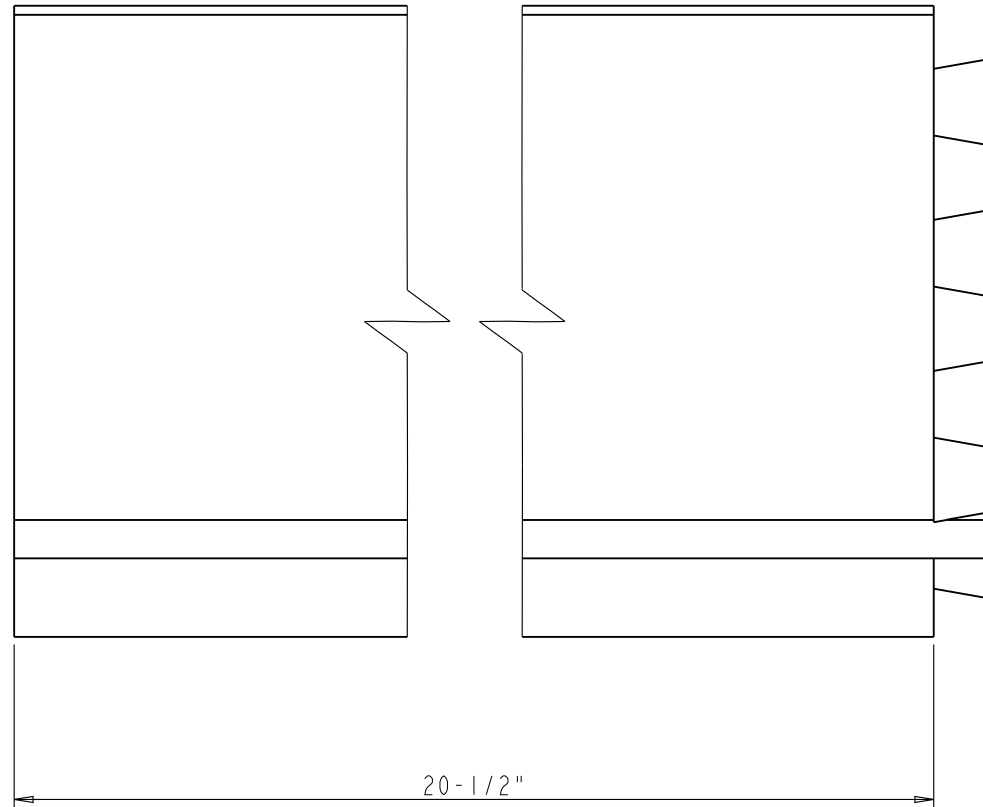
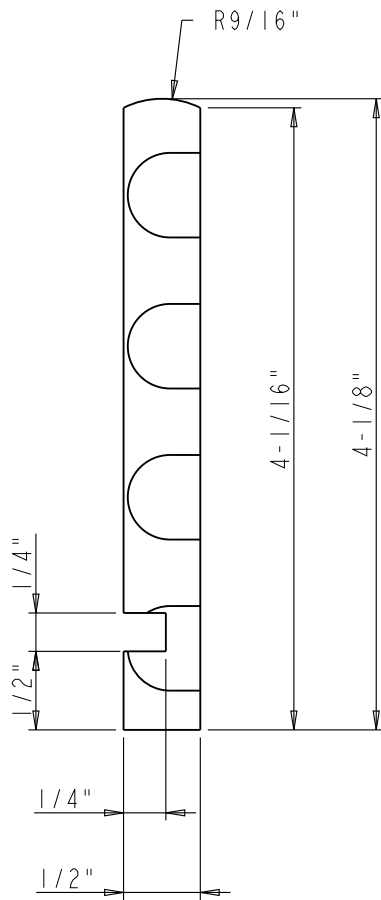
NOTE:

The dimension L of current OUTER-BOARD-FRONT is showing with red frame

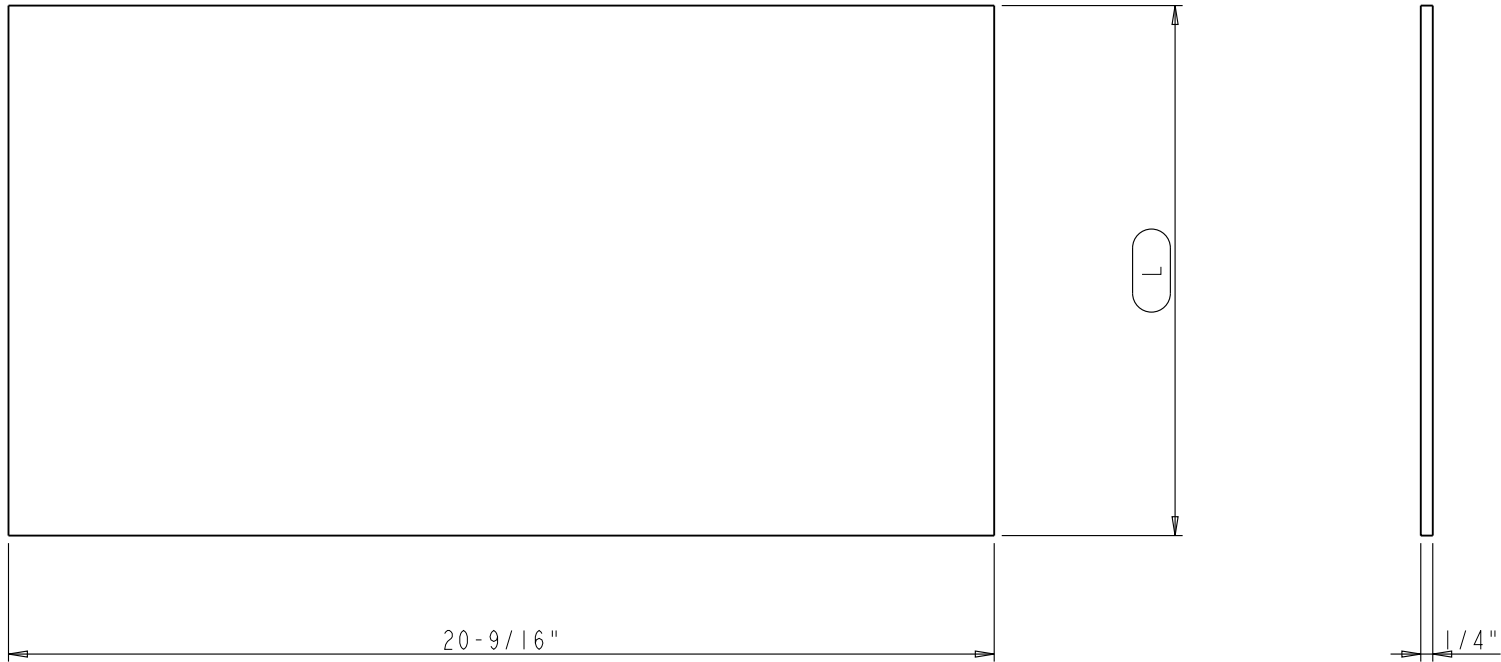
	ITEM:	OUTER-BOARD-FRONT		MATERIAL:	Solid Maple
	FINISH:	UV Finished		WEIGHT:	g
PROPRIETARY AND CONFIDENTIAL THE INFORMATION CONTAINED IN THIS DRAWING IS THE SOLE PROPERTY OF HARDWARE RESOURCES INC. ANY REPRODUCTION IN PART OR AS A WHOLE WITHOUT THE WRITTEN PERMISSION OF HARDWARE RESOURCES INC. IS PROHIBITED.	TOLERANCE UNLESS OTHERWISE SPECIFIED:	UNIT:	DRAWN BY:	DATE:	
	X: MM ±0.20	SIZE:	alan.liu	CHECKED BY:	DATE:
	X.X: MM ±0.10	APPROVED BY:		DATE:	
	X.XX: MM ±0.05				
ANGULAR: ±0.5°					
DO NOT SCALE DRAWING					



	ITEM#: OUTER-BOARD-SIDE-L		MATERIAL: Solid Maple	
	FINISH: UV Finished		WEIGHT: 9	
<p>PROPRIETARY AND CONFIDENTIAL</p> <p>THE INFORMATION CONTAINED IN THIS DRAWING IS THE SOLE PROPERTY OF HARDWARE RESOURCES INC. ANY REPRODUCTION IN PART OR AS A WHOLE WITHOUT THE WRITTEN PERMISSION OF HARDWARE RESOURCES INC. IS PROHIBITED</p>	TOLERANCE UNLESS OTHERWISE SPECIFIED:		PROJECTION: 	
	X: MM ±0.20	UNIT:	DRAWN BY: <i>alan.liu</i>	
	X.X: MM ±0.10	SIZE:	CHECKED BY:	
	X.XX: MM ±0.05	APPROVED BY:		DATE:
ANGULAR: ±0.5°	DO NOT SCALE DRAWING		DATE:	



	ITEM: OUTER-BOARD-SIDE-R		MATERIAL: Solid Maple	
	FINISH: UV Finished		WEIGHT: 9	
PROPRIETARY AND CONFIDENTIAL THE INFORMATION CONTAINED IN THIS DRAWING IS THE SOLE PROPERTY OF HARDWARE RESOURCES INC. ANY REPRODUCTION IN PART OR AS A WHOLE WITHOUT THE WRITTEN PERMISSION OF HARDWARE RESOURCES INC. IS PROHIBITED.	TOLERANCE UNLESS OTHERWISE SPECIFIED:		PROJECTION:	
	X: MM ± 0.20	UNIT:	DRAWN BY: <i>alan.liu</i>	DATE:
	X.X: MM ± 0.10	SIZE:	CHECKED BY:	DATE:
	X.XX: MM ± 0.05	APPROVED BY:	DATE:	DATE:
	ANGULAR: $\pm 0.5^\circ$			
	DO NOT SCALE DRAWING			



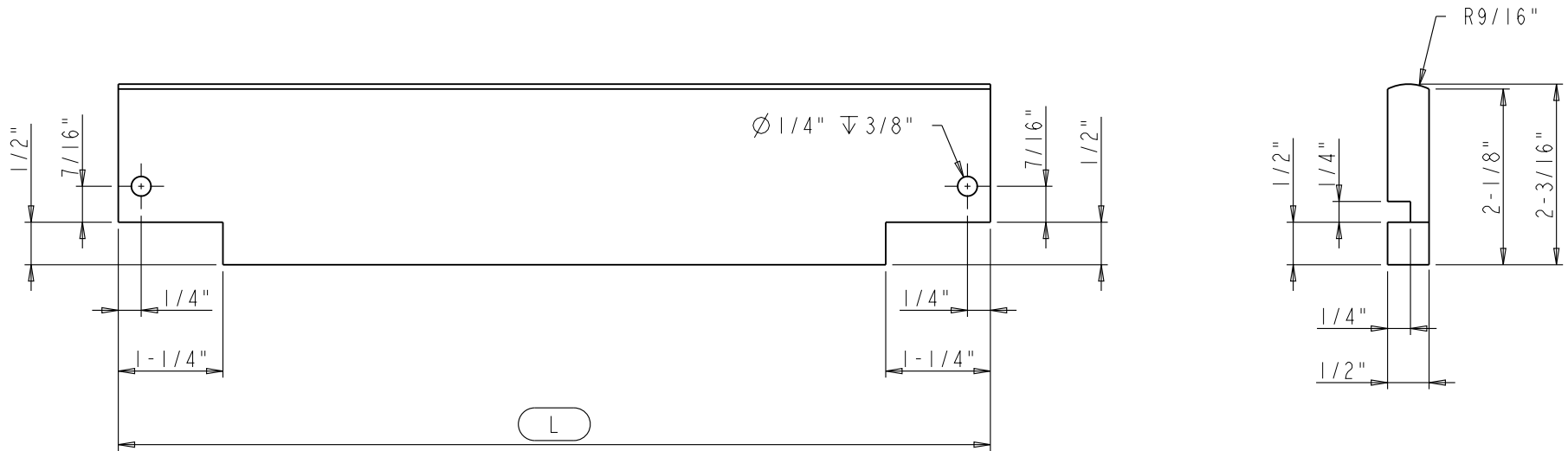
OUTER-BOARD-BTM SPEC SHEET:

Part Name	L
OUTER-BOARD-BTM-11"	11-1/16"
OUTER-BOARD-BTM-14"	14-1/16"
OUTER-BOARD-BTM-17"	17-1/16"
OUTER-BOARD-BTM-20"	20-1/16"

NOTE:

The dimension L of current OUTER-BOARD-BTM is showing with red frame

	ITEM:	OUTER-BOARD-BTM		MATERIAL:	Birch Plywood
	FINISH:	UV Finished		WEIGHT:	g
PROPRIETARY AND CONFIDENTIAL THE INFORMATION CONTAINED IN THIS DRAWING IS THE SOLE PROPERTY OF HARDWARE RESOURCES INC. ANY REPRODUCTION IN PART OR AS A WHOLE WITHOUT THE WRITTEN PERMISSION OF HARDWARE RESOURCES INC. IS PROHIBITED.	TOLERANCE UNLESS OTHERWISE SPECIFIED:	UNIT:	DRAWN BY:	DATE:	
	X: MM ±0.20	SIZE:	alan.liu	DATE:	
	X.X: MM ±0.10	APPROVED BY:	DATE:		
	X.XX: MM ±0.05	DATE:			
ANGULAR: ±0.5°	DO NOT SCALE DRAWING				



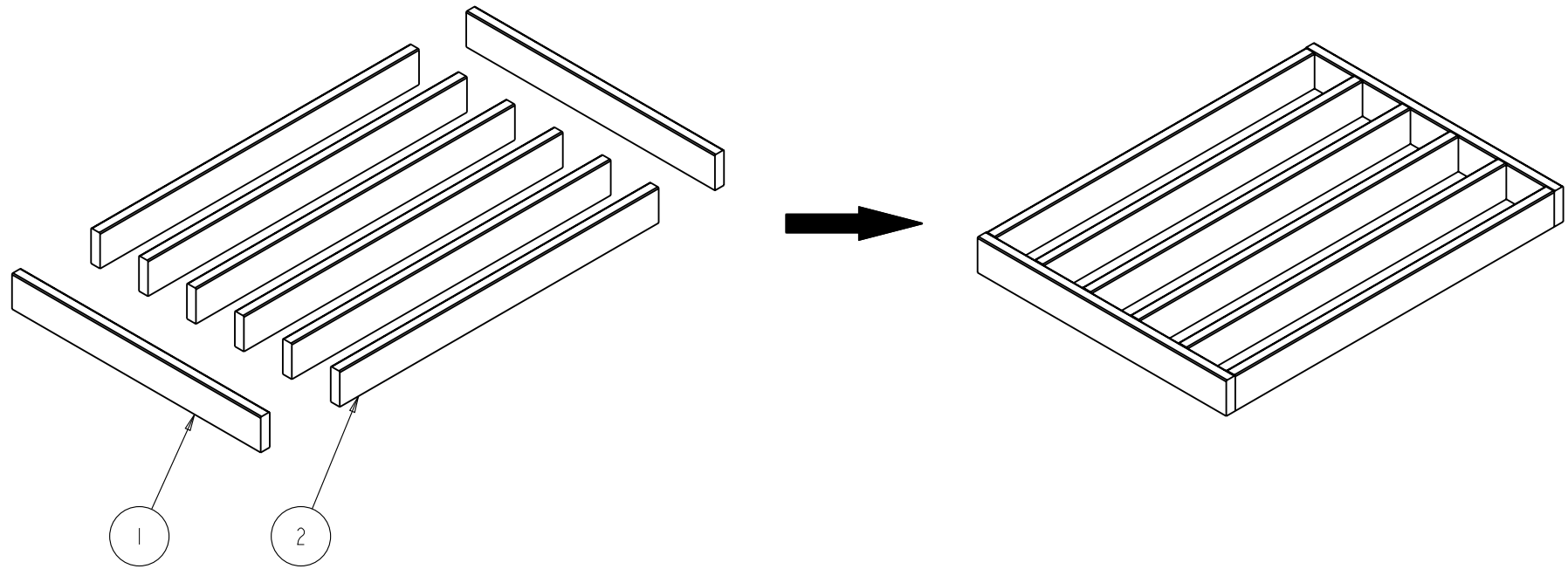
OUTER-BOARD-BACK SPEC SHEET:

Part Name	L
OUTER-BOARD-BACK-11"	10-1/2"
OUTER-BOARD-BACK-14"	13-1/2"
OUTER-BOARD-BACK-17"	16-1/2"
OUTER-BOARD-BACK-20"	19-1/2"

NOTE:

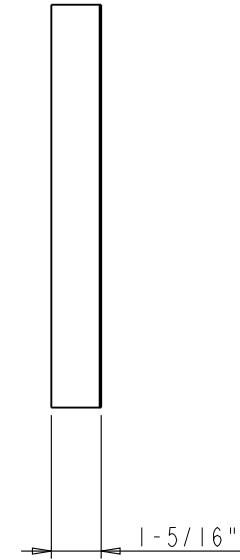
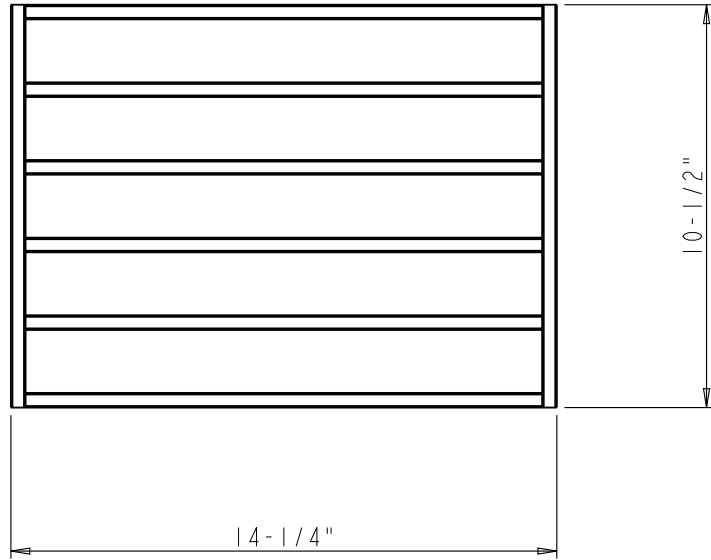
The dimension L of current OUTER-BOARD-BACK is showing with red frame


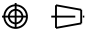
	ITEM:	OUTER-BOARD-BACK		MATERIAL:	Solid Maple
	FINISH:	UV Finished		WEIGHT:	g
PROPRIETARY AND CONFIDENTIAL THE INFORMATION CONTAINED IN THIS DRAWING IS THE SOLE PROPERTY OF HARDWARE RESOURCES INC. ANY REPRODUCTION IN PART OR AS A WHOLE WITHOUT THE WRITTEN PERMISSION OF HARDWARE RESOURCES INC. IS PROHIBITED.	TOLERANCE UNLESS OTHERWISE SPECIFIED:	UNIT:	DRAWN BY:	DATE:	
	X: MM ±0.20	SIZE:	alan.liu	CHECKED BY:	DATE:
	X.X: MM ±0.10	APPROVED BY:		DATE:	
	X.XX: MM ±0.05				
ANGULAR: ±0.5°					
DO NOT SCALE DRAWING					

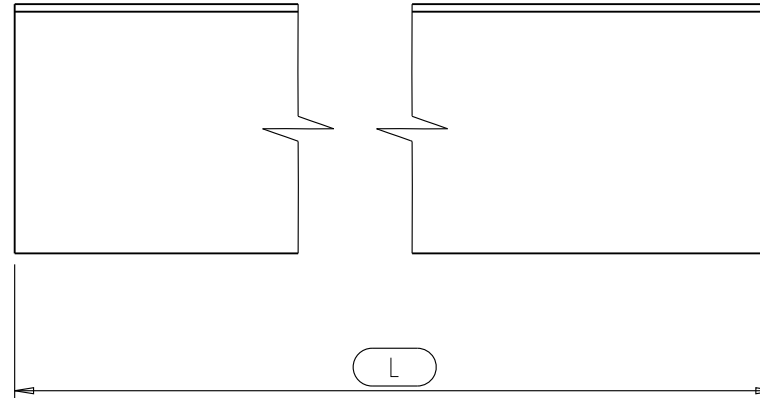
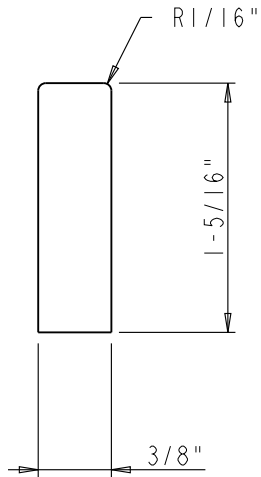


BILLS OF MATERIAL :

2	FRAME-BAR-DIVIDER	Solid Maple	6			PART	1
1	FRAME-BAR-OUTER	Solid Maple	2			PART	1
NO.	ITEM#	MATERIAL	QTY	UNIT	TOTLE	TYPE	ASSY LEVEL
				WEIGHT			
		ITEM#		MATERIAL: ASSEMBLY			
PROPRIETARY AND CONFIDENTIAL THE INFORMATION CONTAINED IN THIS DRAWING IS THE SOLE PROPERTY OF HARDWARE RESOURCES INC. ANY REPRODUCTION IN PART OR AS A WHOLE WITHOUT THE WRITTEN PERMISSION OF HARDWARE RESOURCES INC. IS PROHIBITED.		FRAME-OUTER		WEIGHT: 9			
		FINISH:		PROJECTION:			
		TOLERANCE UNLESS OTHERWISE SPECIFIED: X : MM ±0.20 X.X : MM ±0.10 X.XX : MM ±0.05 ANGULAR: ±0.5° DO NOT SCALE DRAWING		UNIT:		DRAWN BY: <i>alan.liu</i>	
		SIZE:		CHECKED BY:		DATE:	
		APPROVED BY:				DATE:	



	ITEM#: FRAME-OUTER-11		MATERIAL: ASSEMBLY		
	FINISH:		WEIGHT: 9		
PROPRIETARY AND CONFIDENTIAL THE INFORMATION CONTAINED IN THIS DRAWING IS THE SOLE PROPERTY OF HARDWARE RESOURCES INC. ANY REPRODUCTION IN PART OR AS A WHOLE WITHOUT THE WRITTEN PERMISSION OF HARDWARE RESOURCES INC. IS PROHIBITED.	TOLERANCE UNLESS OTHERWISE SPECIFIED: X : MM ±0.20 X.X : MM ±0.10 X.XX : MM ±0.05 ANGULAR: ±0.5° DO NOT SCALE DRAWING		UNIT:	DRAWN BY: <i>alan.liu</i>	DATE:
	SIZE:	CHECKED BY:	DATE:		
	APPROVED BY:		DATE:		
	PROJECTION: 				



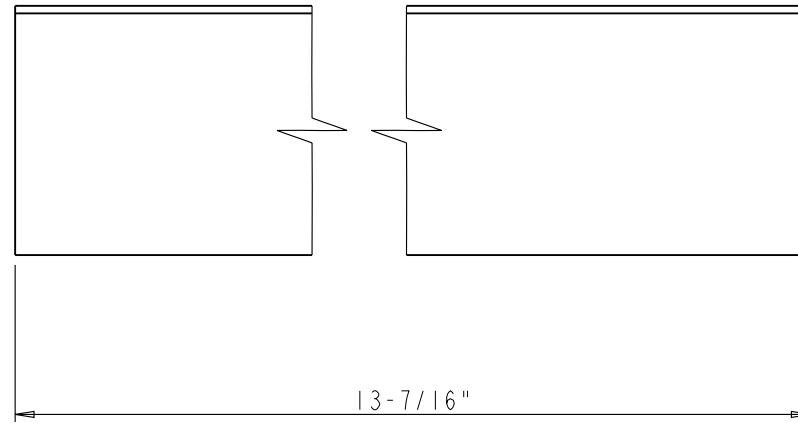
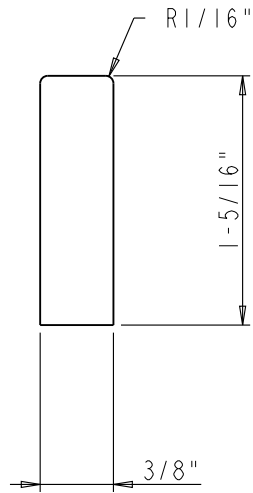
FRAME-BAR-OUTER SPEC SHEET:

Part Name	L
FRAME-BAR-OUTER-11"	10-1/2"
FRAME-BAR-OUTER-14"	13-1/2"
FRAME-BAR-OUTER-17"	16-1/2"
FRAME-BAR-OUTER-20"	19-1/2"

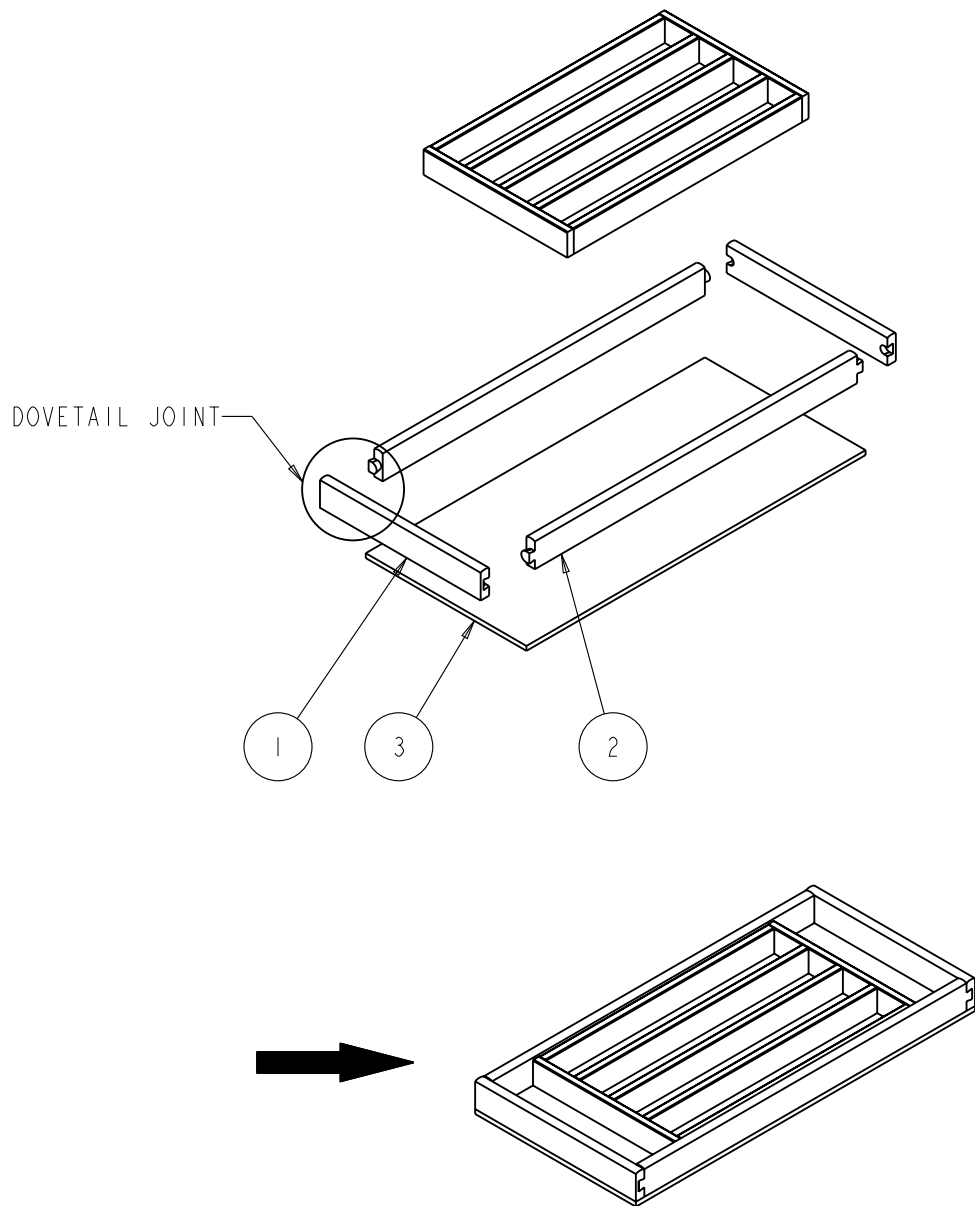
NOTE:

The dimension L of current FRAME-BAR-OUTER is showing with red frame

	ITEM:	FRAME-BAR-OUTER		MATERIAL:	Solid Maple
	FINISH:	UV Finished		WEIGHT:	g
PROPRIETARY AND CONFIDENTIAL THE INFORMATION CONTAINED IN THIS DRAWING IS THE SOLE PROPERTY OF HARDWARE RESOURCES INC. ANY REPRODUCTION IN PART OR AS A WHOLE WITHOUT THE WRITTEN PERMISSION OF HARDWARE RESOURCES INC. IS PROHIBITED.	TOLERANCE UNLESS OTHERWISE SPECIFIED:	UNIT:	DRAWN BY:	DATE:	
	X: MM ±0.20	SIZE:	alan.liu	DATE:	
	X.X: MM ±0.10	CHECKED BY:		DATE:	
	X.XX: MM ±0.05	APPROVED BY:		DATE:	
ANGULAR: ±0.5°	DO NOT SCALE DRAWING				



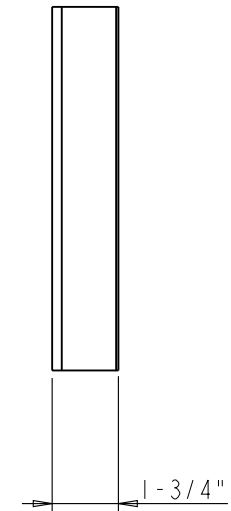
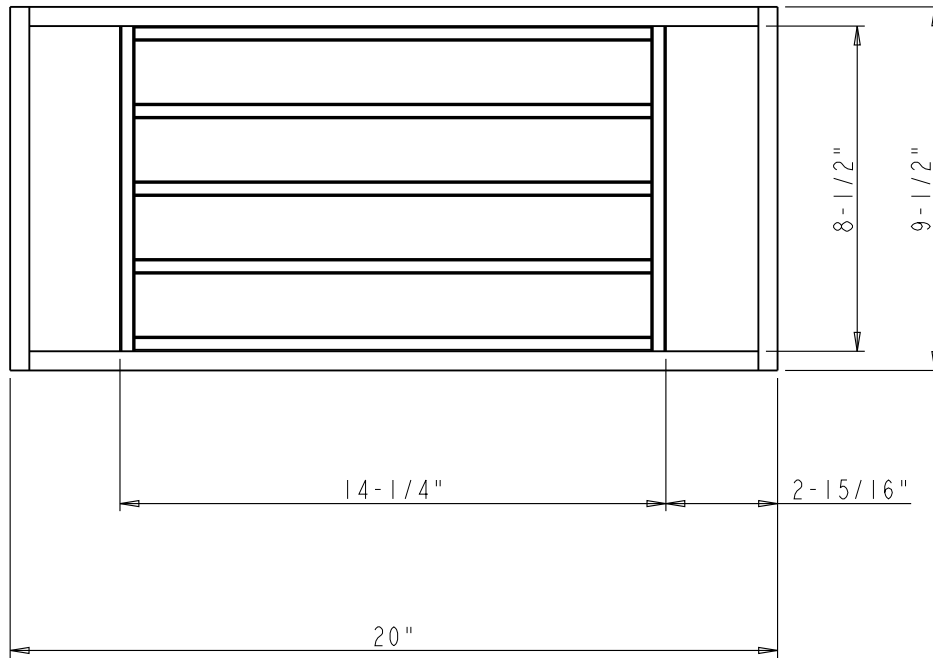
	ITEM#: FRAME-BAR-DIVIDER		MATERIAL: Solid Maple	
	FINISH: UV Finished		WEIGHT: 9	
PROPRIETARY AND CONFIDENTIAL THE INFORMATION CONTAINED IN THIS DRAWING IS THE SOLE PROPERTY OF HARDWARE RESOURCES INC. ANY REPRODUCTION IN PART OR AS A WHOLE WITHOUT THE WRITTEN PERMISSION OF HARDWARE RESOURCES INC. IS PROHIBITED.	TOLERANCE UNLESS OTHERWISE SPECIFIED:		PROJECTION:	
	X: MM ±0.20	UNIT:	DRAWN BY: <i>alan.liu</i>	DATE:
	X.X: MM ±0.10	SIZE:	CHECKED BY:	DATE:
	X.XX: MM ±0.05	APPROVED BY:	DATE:	
	ANGULAR: ±0.5°	DO NOT SCALE DRAWING		



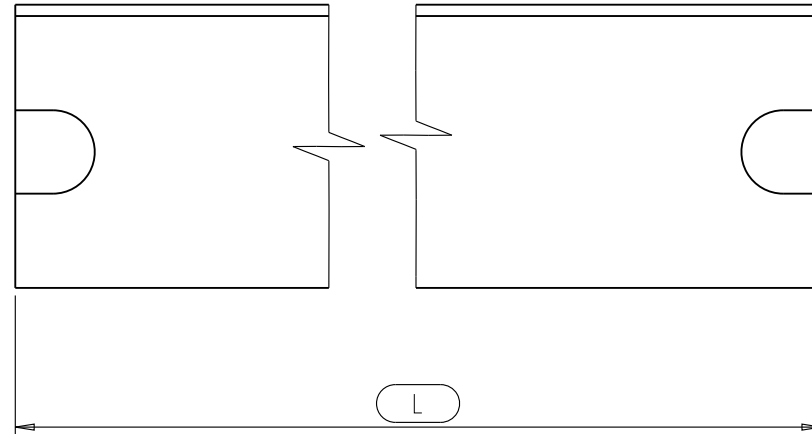
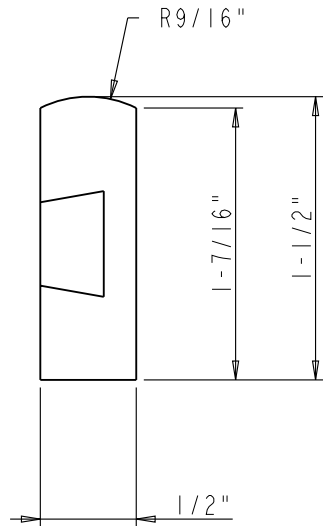
BILLS OF MATERIAL :

NO.	ITEM#	MATERIAL	QTY	UNIT	TOTL WEIGHT	TYPE	ASSY LEVEL
4	FRAME-INNER	ASSEMBLY	1			ASSEMBLY	1
3	INNER-BOARD-BTM	Birch Plywood	1			PART	1
2	INNER-BOARD-SIDE	Solid Maple	2			PART	1
1	INNER-BOARD-FRONT	Solid Maple	2			PART	1

hardware resources	ITEM#:	INNER-DRAWER		MATERIAL:	ASSEMBLY	
	FINISH:			WEIGHT:	g	
PROPRIETARY AND CONFIDENTIAL	THE INFORMATION CONTAINED IN THIS DRAWING IS THE SOLE PROPERTY OF HARDWARE RESOURCES INC. ANY REPRODUCTION IN PART OR AS A WHOLE WITHOUT THE WRITTEN PERMISSION OF HARDWARE RESOURCES INC. IS PROHIBITED		TOLERANCE UNLESS OTHERWISE SPECIFIED: X : MM ±0.20 X.X : MM ±0.10 X.XX : MM ±0.05 ANGULAR: ±0.5° DO NOT SCALE DRAWING	UNIT:	DRAWN BY:	DATE:
	SIZE:	CHECKED BY:	APPROVED BY:			DATE:



	ITEM#: INNER-DRAWER-11		MATERIAL: ASSEMBLY		
	FINISH:		WEIGHT: 9		
PROPRIETARY AND CONFIDENTIAL THE INFORMATION CONTAINED IN THIS DRAWING IS THE SOLE PROPERTY OF HARDWARE RESOURCES INC. ANY REPRODUCTION IN PART OR AS A WHOLE WITHOUT THE WRITTEN PERMISSION OF HARDWARE RESOURCES INC. IS PROHIBITED.	TOLERANCE UNLESS OTHERWISE SPECIFIED: X : MM ±0.20 X.X : MM ±0.10 X.XX : MM ±0.05 ANGULAR: ±0.5° DO NOT SCALE DRAWING		UNIT:	DRAWN BY: <i>alan.liu</i>	DATE:
	SIZE:	CHECKED BY:	DATE:		
	APPROVED BY:		DATE:		
	PROJECTION:				



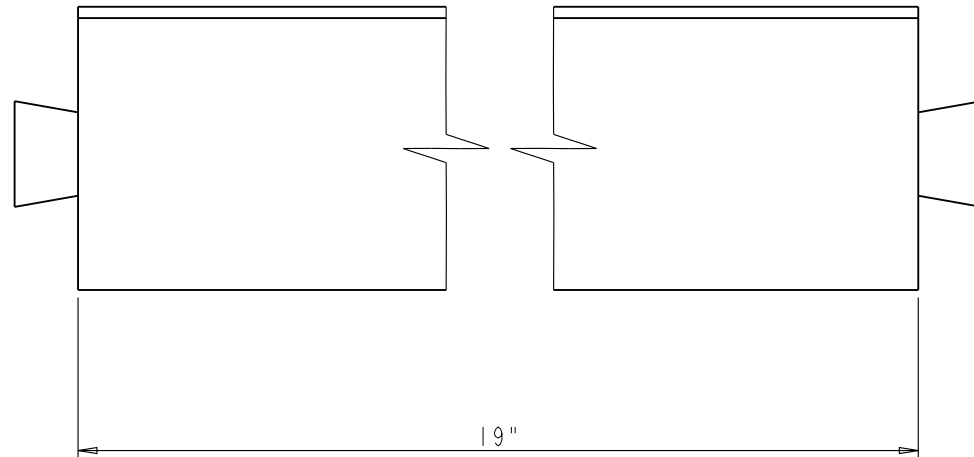
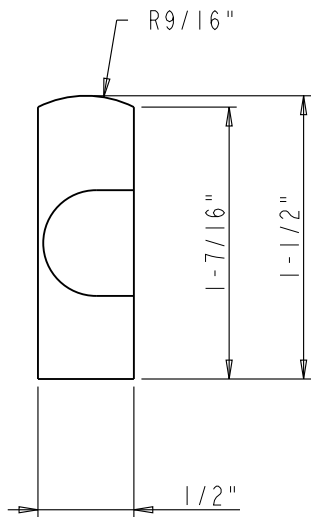
INNER-BOARD-FRONT SPEC SHEET:

Part Name	L
INNER-BOARD-FRONT-11"	9-1/2"
INNER-BOARD-FRONT-14"	12-1/2"
INNER-BOARD-FRONT-17"	15-1/2"
INNER-BOARD-FRONT-20"	18-1/2"

NOTE:

The dimension L of current INNER-BOARD-FRONT is showing with red frame

	ITEM:	INNER-BOARD-FRONT		MATERIAL:	Solid Maple
	FINISH:	UV Finished		WEIGHT:	9
PROPRIETARY AND CONFIDENTIAL THE INFORMATION CONTAINED IN THIS DRAWING IS THE SOLE PROPERTY OF HARDWARE RESOURCES INC. ANY REPRODUCTION IN PART OR AS A WHOLE WITHOUT THE WRITTEN PERMISSION OF HARDWARE RESOURCES INC. IS PROHIBITED.	TOLERANCE UNLESS OTHERWISE SPECIFIED:	UNIT:	DRAWN BY:	DATE:	
	X: MM ±0.20	SIZE:	alan.liu	DATE:	
	X.X: MM ±0.10	CHECKED BY:		DATE:	
	X.XX: MM ±0.05	APPROVED BY:		DATE:	
ANGULAR: ±0.5°	DO NOT SCALE DRAWING				



	ITEM: INNER-BOARD-SIDE		MATERIAL: Solid Maple	
	FINISH: UV Finished		WEIGHT: 9	
PROPRIETARY AND CONFIDENTIAL THE INFORMATION CONTAINED IN THIS DRAWING IS THE SOLE PROPERTY OF HARDWARE RESOURCES INC. ANY REPRODUCTION IN PART OR AS A WHOLE WITHOUT THE WRITTEN PERMISSION OF HARDWARE RESOURCES INC. IS PROHIBITED.	TOLERANCE UNLESS OTHERWISE SPECIFIED:	UNIT:	DRAWN BY:	DATE:
	X: MM ± 0.20	SIZE:	CHECKED BY:	DATE:
	X.X: MM ± 0.10		APPROVED BY:	DATE:
	X.XX: MM ± 0.05			
ANGULAR: $\pm 0.5^\circ$				
DO NOT SCALE DRAWING				



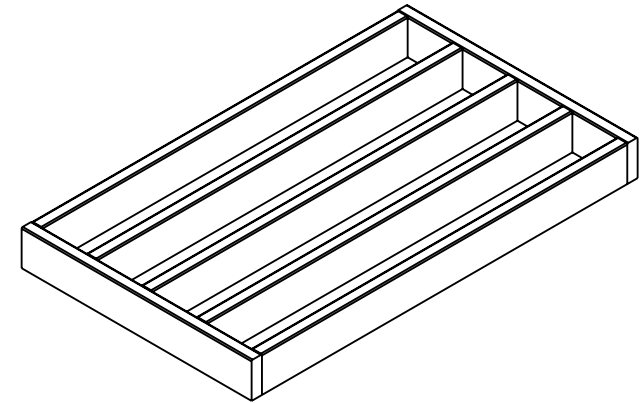
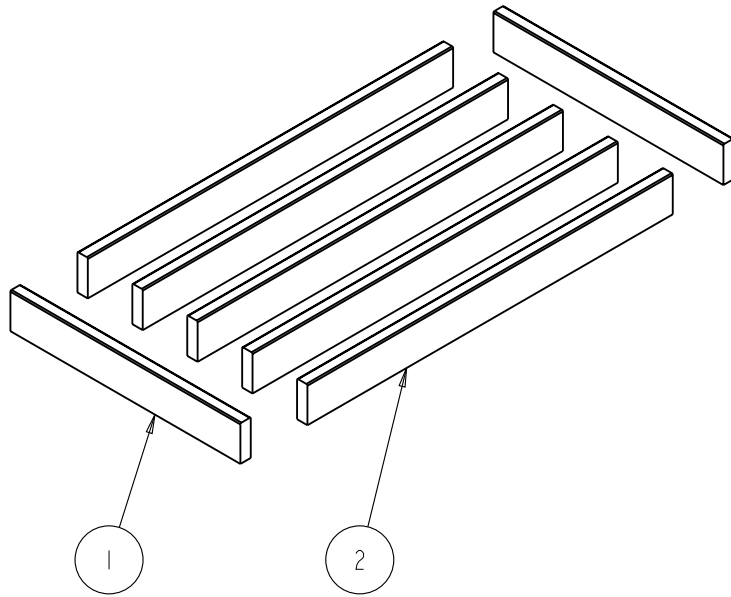
INNER-BOARD-BTM SPEC SHEET:

Part Name	L
INNER-BOARD-BTM-11"	9-1/2"
INNER-BOARD-BTM-14"	12-1/2"
INNER-BOARD-BTM-17"	15-1/2"
INNER-BOARD-BTM-20"	18-1/2"

NOTE:

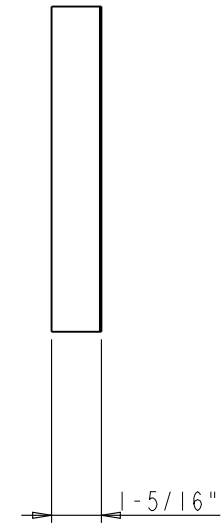
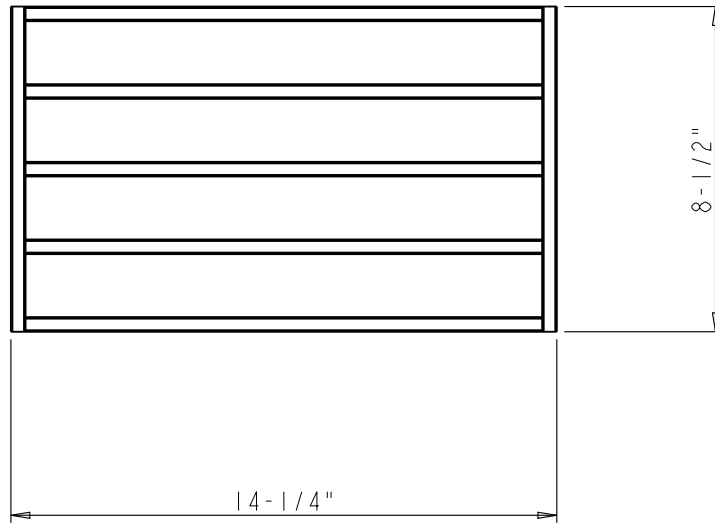
The dimension L of current INNER-BOARD-BTM is showing with red frame

	ITEM:	INNER-BOARD-BTM		MATERIAL:	Birch Plywood
	FINISH:	UV Finished		WEIGHT:	9
PROPRIETARY AND CONFIDENTIAL THE INFORMATION CONTAINED IN THIS DRAWING IS THE SOLE PROPERTY OF HARDWARE RESOURCES INC. ANY REPRODUCTION IN PART OR AS A WHOLE WITHOUT THE WRITTEN PERMISSION OF HARDWARE RESOURCES INC. IS PROHIBITED	TOLERANCE UNLESS OTHERWISE SPECIFIED:	UNIT:	DRAWN BY:	DATE:	
	X: MM ±0.20	SIZE:	alan.liu	DATE:	
	X.X: MM ±0.10	CHECKED BY:		DATE:	
	X.XX: MM ±0.05	APPROVED BY:		DATE:	
ANGULAR: ±0.5°	DO NOT SCALE DRAWING				

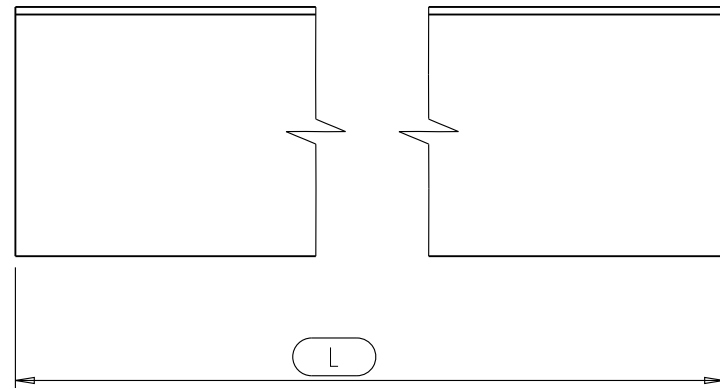
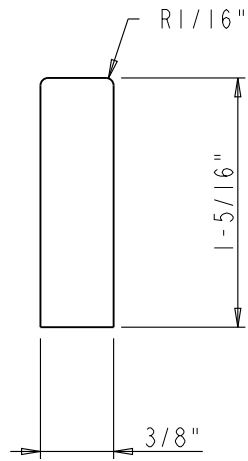


BILLS OF MATERIAL:

2	FRAME-BAR-DIVIDER	Solid Maple	5			PART	1
1	FRAME-BAR-INNER	Solid Maple	2			PART	1
NO.	ITEM#	MATERIAL	QTY	UNIT	TOTLE	TYPE	ASSY LEVEL
				WEIGHT			
hardware resources		ITEM#: FRAME - INNER		MATERIAL: ASSEMBLY			
PROPRIETARY AND CONFIDENTIAL		FINISH:		WEIGHT: 9			
THE INFORMATION CONTAINED IN THIS DRAWING IS THE SOLE PROPERTY OF HARDWARE RESOURCES INC. ANY REPRODUCTION IN PART OR AS A WHOLE WITHOUT THE WRITTEN PERMISSION OF HARDWARE RESOURCES INC. IS PROHIBITED		TOLERANCE UNLESS OTHERWISE SPECIFIED: X : MM ±0.20 X.X : MM ±0.10 X.XX : MM ±0.05 ANGULAR: ±0.5° DO NOT SCALE DRAWING		UNIT:	DRAWN BY: <i>alan.liu</i>	DATE:	
		SIZE:		CHECKED BY:	DATE:		
				APPROVED BY:	DATE:		



	ITEM#: FRAME - INNER - 11		MATERIAL: ASSEMBLY		
	FINISH:		WEIGHT: 9		
PROPRIETARY AND CONFIDENTIAL THE INFORMATION CONTAINED IN THIS DRAWING IS THE SOLE PROPERTY OF HARDWARE RESOURCES INC. ANY REPRODUCTION IN PART OR AS A WHOLE WITHOUT THE WRITTEN PERMISSION OF HARDWARE RESOURCES INC. IS PROHIBITED.	TOLERANCE UNLESS OTHERWISE SPECIFIED: X : MM ±0.20 X.X : MM ±0.10 X.XX : MM ±0.05 ANGULAR: ±0.5° DO NOT SCALE DRAWING		UNIT: SIZE:	DRAWN BY: <i>alan.liu</i>	DATE:
				CHECKED BY:	DATE:
				APPROVED BY:	DATE:



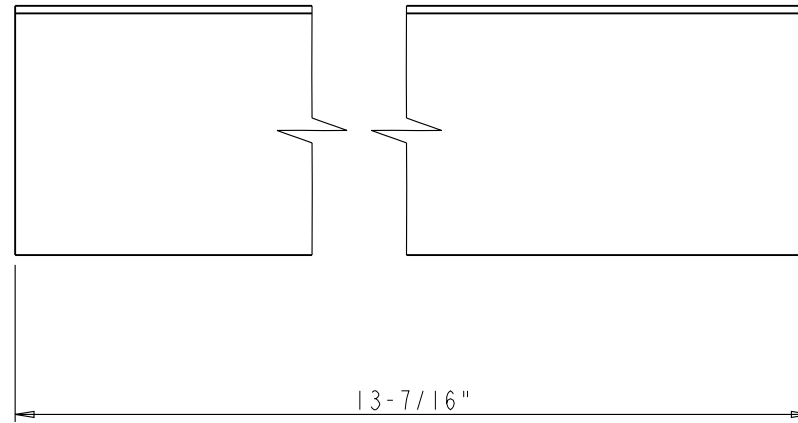
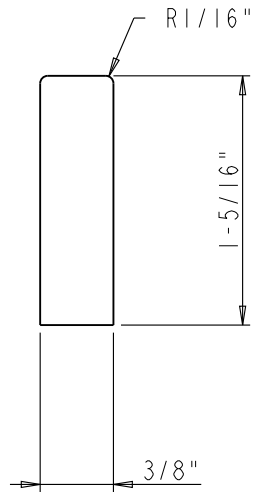
FRAME-BAR-INNER SPEC SHEET:


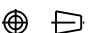
Part Name	L
FRAME-BAR-INNER-11"	8-1/2"
FRAME-BAR-INNER-14"	11-1/2"
FRAME-BAR-INNER-17"	14-1/2"
FRAME-BAR-INNER-20"	17-1/2"

NOTE:

The dimension L of current FRAME-BAR-INNER is showing with red frame

	ITEM:	FRAME-BAR-INNER		MATERIAL:	Solid Maple
	FINISH:	UV Finished		WEIGHT:	g
PROPRIETARY AND CONFIDENTIAL THE INFORMATION CONTAINED IN THIS DRAWING IS THE SOLE PROPERTY OF HARDWARE RESOURCES INC. ANY REPRODUCTION IN PART OR AS A WHOLE WITHOUT THE WRITTEN PERMISSION OF HARDWARE RESOURCES INC. IS PROHIBITED.	TOLERANCE UNLESS OTHERWISE SPECIFIED:	UNIT:	DRAWN BY:	DATE:	
	X: MM ±0.20	SIZE:	<i>alan.liu</i>	CHECKED BY:	DATE:
	X.X: MM ±0.10	APPROVED BY:			DATE:
	X.XX: MM ±0.05				
ANGULAR: ±0.5°					
DO NOT SCALE DRAWING					



	ITEM#: FRAME-BAR-DIVIDER		MATERIAL: Solid Maple	
	FINISH: UV Finished		WEIGHT: 9	
PROPRIETARY AND CONFIDENTIAL THE INFORMATION CONTAINED IN THIS DRAWING IS THE SOLE PROPERTY OF HARDWARE RESOURCES INC. ANY REPRODUCTION IN PART OR AS A WHOLE WITHOUT THE WRITTEN PERMISSION OF HARDWARE RESOURCES INC. IS PROHIBITED.	TOLERANCE UNLESS OTHERWISE SPECIFIED:		PROJECTION: 	
	X: MM ±0.20	UNIT:	DRAWN BY: <i>alan.liu</i>	DATE:
	X.X: MM ±0.10	SIZE:	CHECKED BY:	DATE:
	X.XX: MM ±0.05	APPROVED BY:	DATE:	
ANGULAR: ±0.5°	DO NOT SCALE DRAWING			