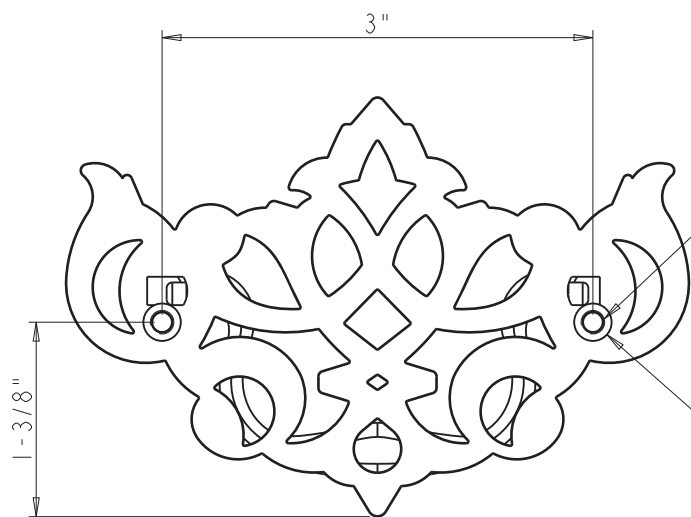
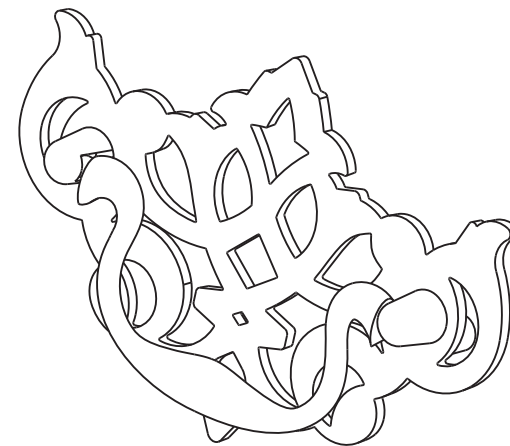
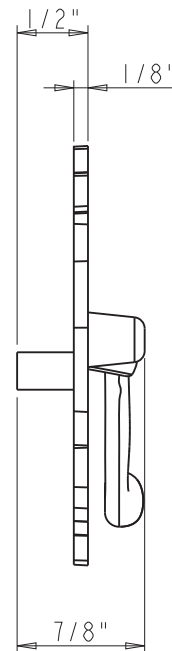


FRONT VIEW



REAR VIEW

8-32 UNC-DRILL_DEPTH 1/2
SCREW_DEPTH 3/8

Ø 1/4"

	ITEM#: WP150		MATERIAL: Zinc	
	FINISH:		WEIGHT: 64.000 g	
	PROJECTION			
<p>PROPRIETARY AND CONFIDENTIAL</p> <p>THE INFORMATION CONTAINED IN THIS DRAWING IS THE SOLE PROPERTY OF HARDWARE RESOURCES INC. ANY REPRODUCTION IN PART OR AS A WHOLE WITHOUT THE WRITTEN PERMISSION OF HARDWARE RESOURCES INC. IS PROHIBITED.</p>	TOLERANCE UNLESS OTHERWISE SPECIFIED: X ±0.20 X.X ±0.10 X.XX ±0.05 ANGULAR: ±0.5°	UNITS:	DRAWN BY: <i>Krupa cat</i>	DATE:
	SIZE: A4	APPROVED BY:	DATE:	REVISION:
	SHEET: 1 OF 1	RELEASE LEVEL:	REVISION:	
	DO NOT SCALE DRAWING			