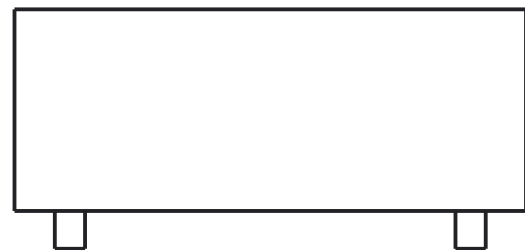
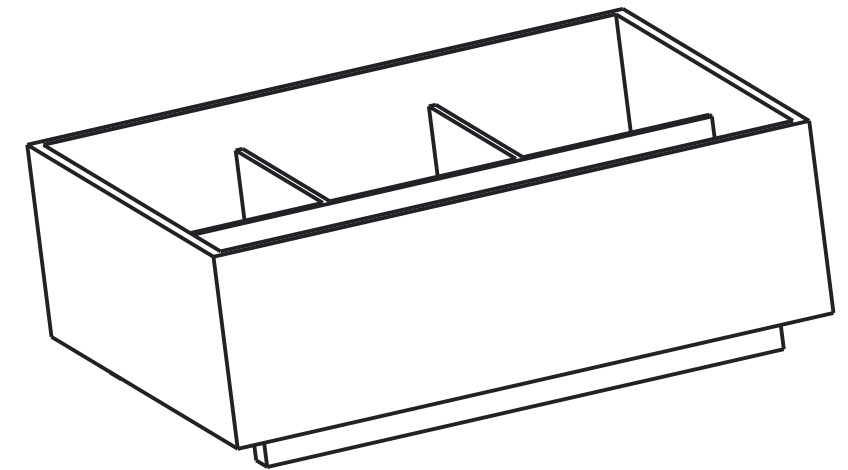
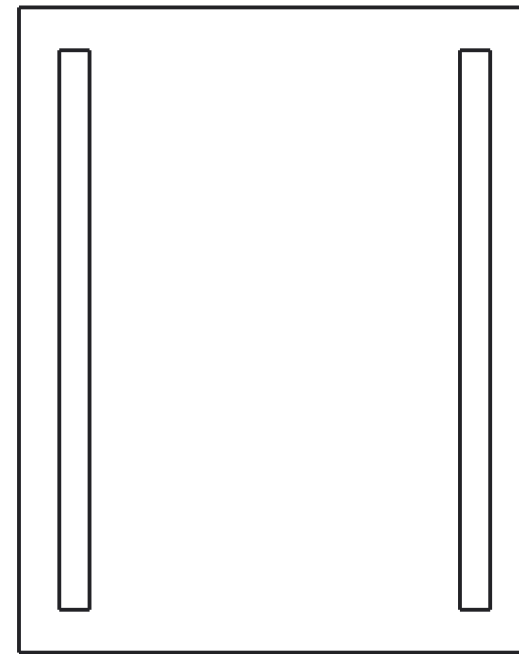
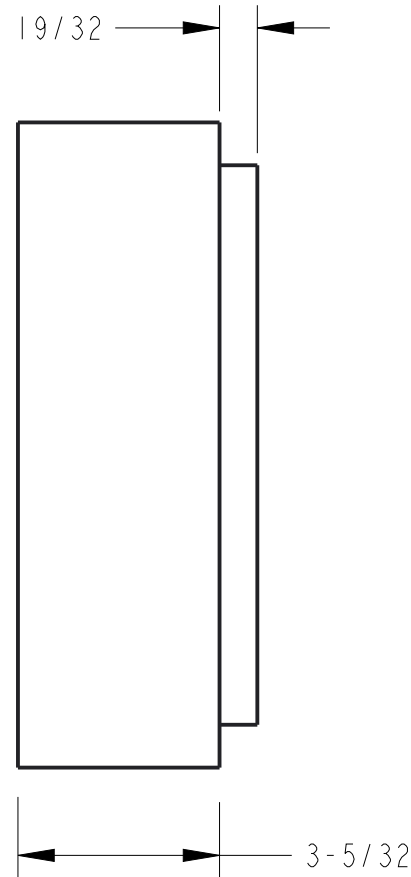
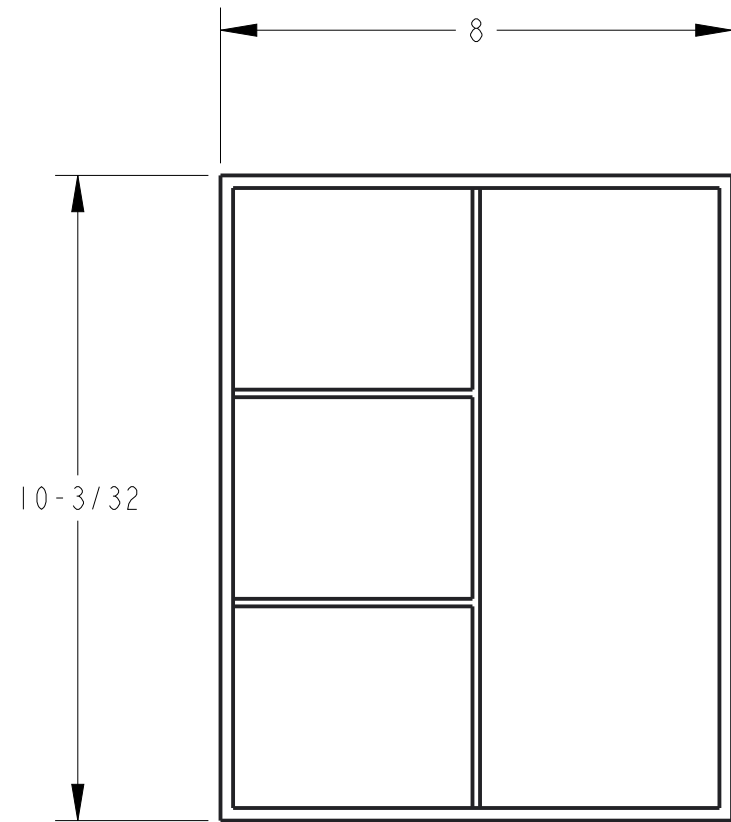


ACRYLIC BIN MODULE SHOWN



THIRD ANGLE PROJECTION



MATERIAL

FINISH

N/A

N/A

DRAWN BY
A.CHEN

DATE
15MAR17

DESIGNED BY
A.CHEN

DATE
15MAR17

APPROVED BY
R.LAIRD

DATE
05JUN17

hardware
resources

DESCRIPTION

VANITY ORGANIZER SYSTEM, ACRYLIC BIN
MODULE

DRAWING NUMBER
VBPO-T01

REV
A

SIZE
A3

SCALE
1:3

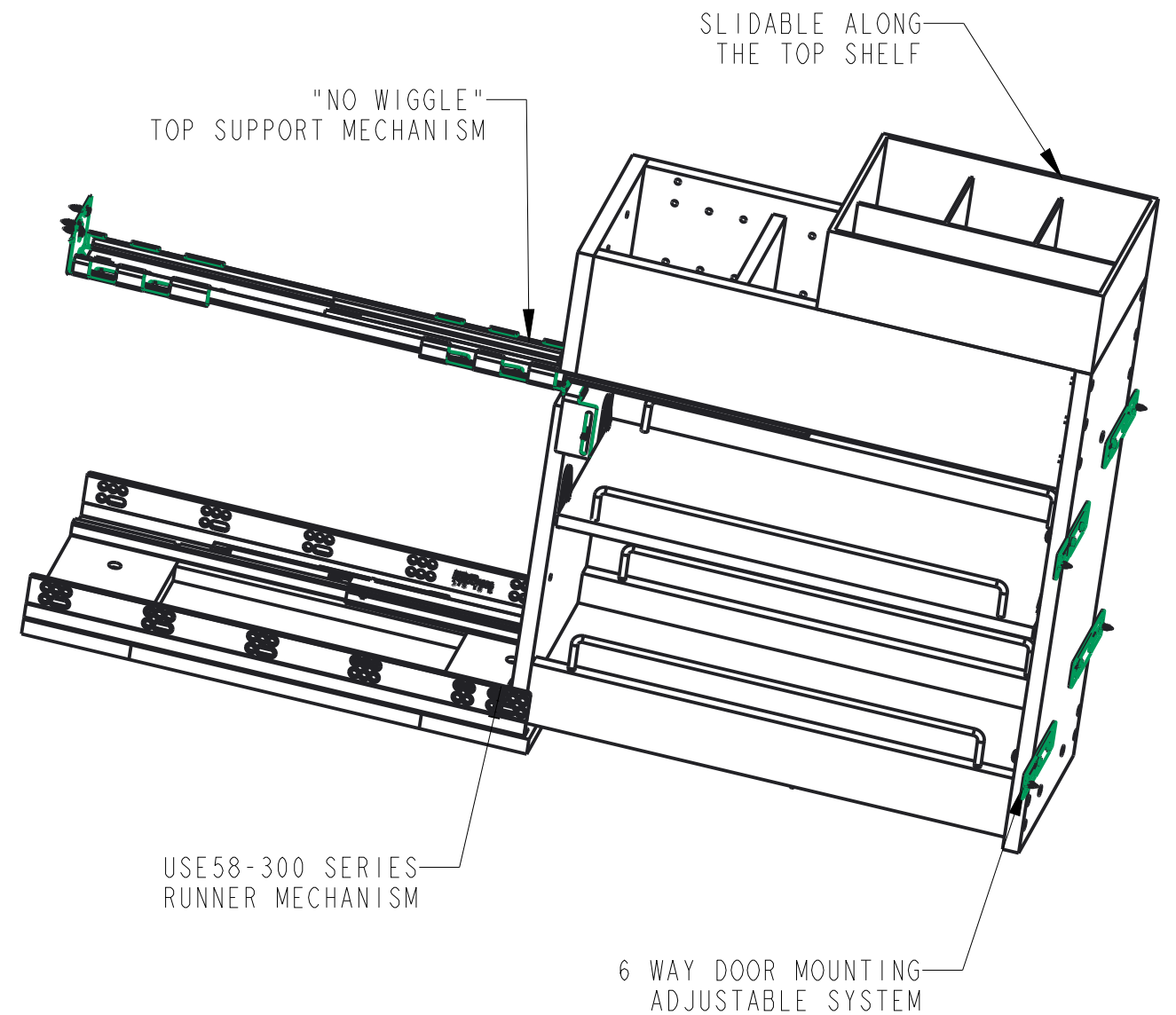
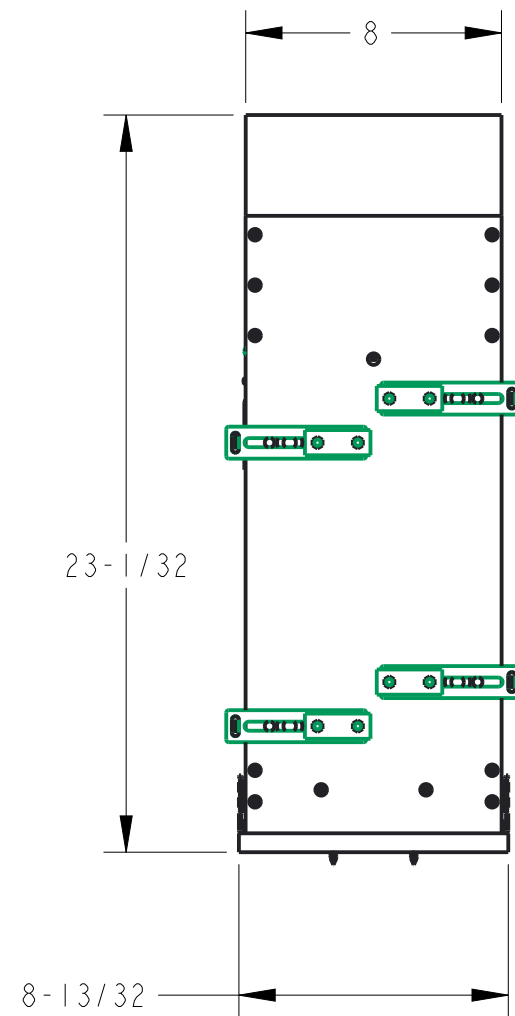
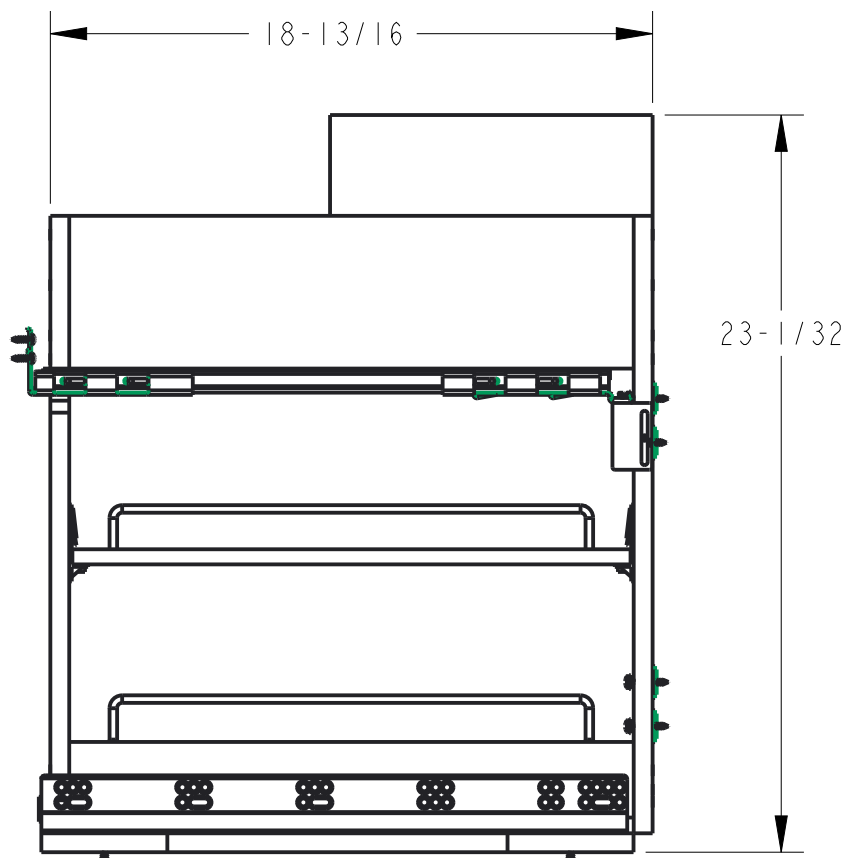
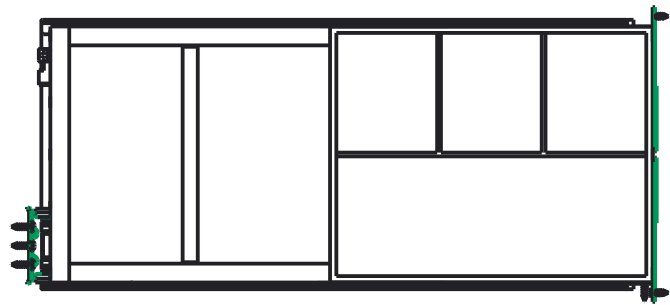
SHEET
1 / 2

DOCUMENT STATUS Released

HARDWARE RESOURCES RESERVES THE RIGHT TO CHANGE SPECIFICATIONS WITHOUT NOTICE.
IN CASE OF A DISCREPANCY, ACTUAL PART GEOMETRY SUPERSEDES THIS DOCUMENT.

THE INFORMATION CONTAINED WITHIN THIS DRAWING IS THE SOLE PROPERTY OF HARDWARE RESOURCES INC. ANY
REPRODUCTION IN PART OR WHOLE WITHOUT WRITTEN PERMISSION OF HARDWARE RESOURCES INC. IS PROHIBITED.

ACRYLIC BIN MODULE (VBPO-T01)
 INSTALLED ON TOP OF
 VANITY BASE PULLOUT MODULE
 (VBPO8-SC, SOLD SEPARATELY)



DRAWING NUMBER		REV
VBPO-T01		A
SIZE	SCALE	SHEET
A3	17:192	2 / 2
DOCUMENT STATUS		Released