

8 7 6 5 4 3 2 1

F E D C B A

STEAK KNIFE HOLDER  
HOLDS KNIVES UP TO  
6 INCH BLADE LENGTH

CUTTING BOARD SLOT  
HOLDS UP TO  
0.5 INCH THICK BOARD  
8 TO 15 INCHES LONG

ROW OF THREE CANISTERS:  
- INTERIOR DIAMETER: 3-3/4 INCH  
- INTERIOR DEPTH: 6 INCH  
(NOT AVAILABLE IN KBPO-5SC)

DOUBLE SIDED MAGNETIZED  
WOODEN BAR HOLDS KNIVES  
UP TO 9 INCH BLADE LENGTH

"NO-WIGGLE"  
TOP SUPPORT MECHANISM  
(PATENT PENDING)

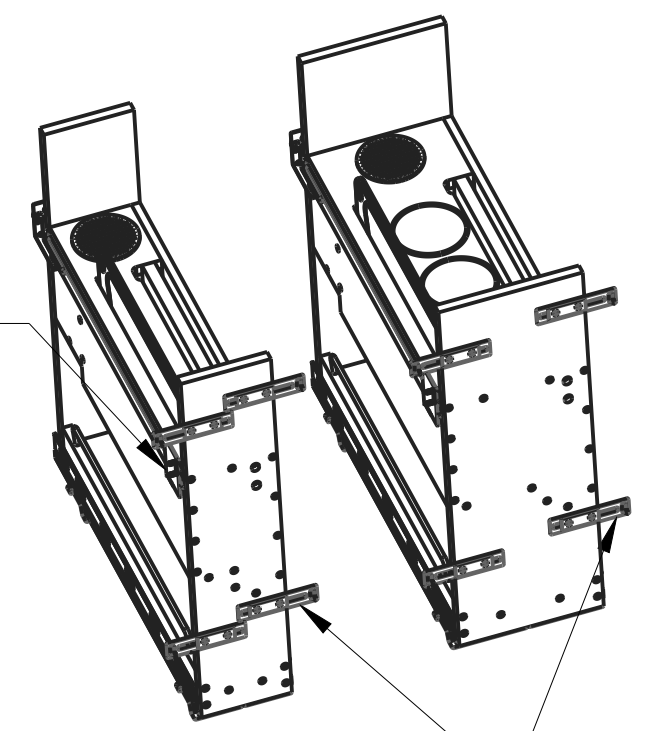
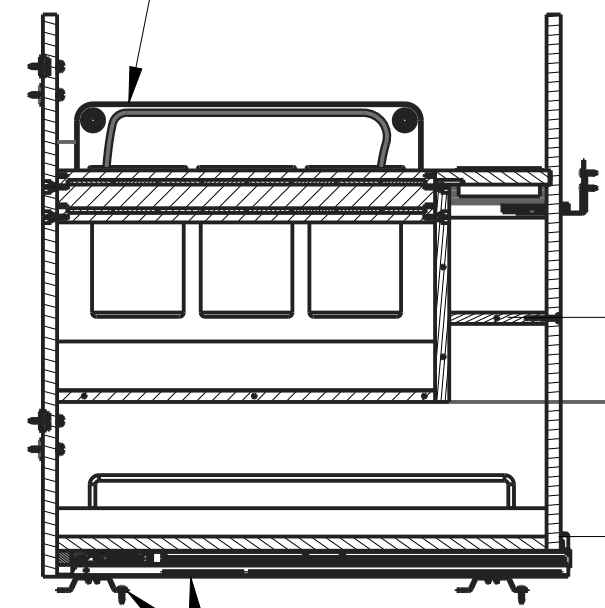
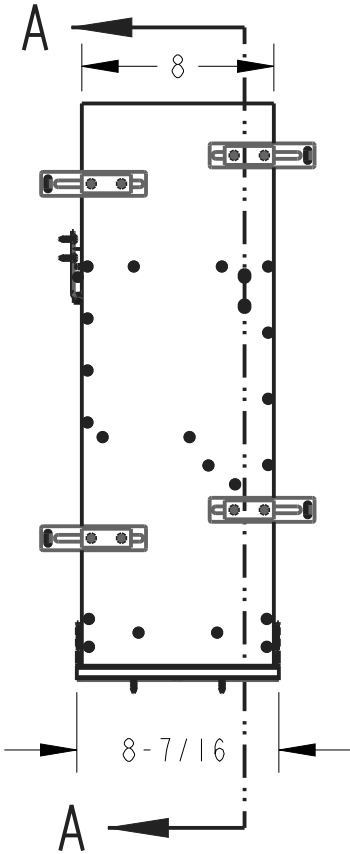
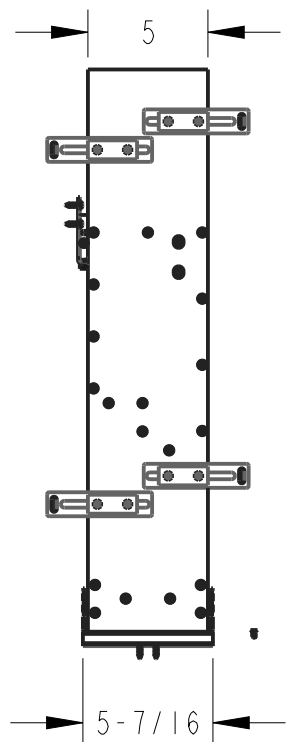
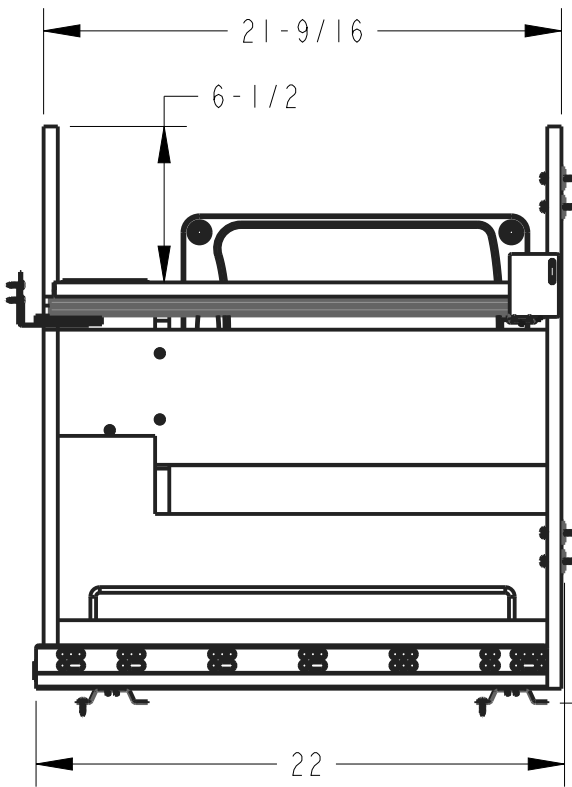
6-WAY DOOR MOUNTING  
ADJUSTABLE SYSTEM  
(PATENTED)

CUTTING BOARD (POLYPROPYLENE)  
WITH ANTI-SLIP RUBBER FEET  
SIZE: 14 INCH BY 10 INCH  
0.3 INCH (8MM THICK)

9-1/8  
BOTTOM SHELF TO  
STEAK KNIFE COMPARTMENT

5-5/8  
BOTTOM SHELF TO  
MAGNET BAR COMPARTMENT

USE 58-300 SERIES  
WITH METAL RUNNER



SECTION A - A

HR ITEM NUMBER	PRODUCT DESCRIPTION
KBPO-5SC	KNIFE BASE PULLOUT, ORGANIZER, KBPO, 5 INCH
KBPO-8SC	KNIFE BASE PULLOUT, ORGANIZER, KBPO, 8 INCH

DOCUMENT STATUS Released

THIRD ANGLE PROJECTION	
MATERIAL	FINISH
N/A	N/A
DRAWN BY	DATE
ALAN CHEN	26MAR2020
DESIGNED BY	DATE
ALAN CHEN	18MAR2020
APPROVED BY	DATE
DENNIS MCGREGOR	19JUN2020

<b>hardware resources</b>		
DESCRIPTION		
KNIFE BASE PULLOUT ORGANIZER		
DRAWING NUMBER		REV
KBPO		<b>A</b>
SIZE	SCALE	SHEET
A3	0.125	1 / 1

HARDWARE RESOURCES RESERVES THE RIGHT TO CHANGE SPECIFICATIONS WITHOUT NOTICE.  
IN CASE OF A DISCREPANCY, ACTUAL PART GEOMETRY SUPERSEDES THIS DOCUMENT.

THE INFORMATION CONTAINED WITHIN THIS DRAWING IS THE SOLE PROPERTY OF HARDWARE RESOURCES INC. ANY REPRODUCTION IN PART OR WHOLE WITHOUT WRITTEN PERMISSION OF HARDWARE RESOURCES INC. IS PROHIBITED.

8 7 6 5 4 3 2 1

A

A