

Finoris
Single-Hole Faucet 110 with Pop-Up Drain, 1.2 GPM
 Finishes : **brushed nickel** Part no. : **76020821**



Description

Features

- Consists of: Single-handle faucet, Pop-up assembly
- Spray modes: Laminar spray
- Flow: 1.2 GPM (4.5 L/Min)
- Ceramic cartridge
- Includes pop-up drain
- Material waste set: Metal

Item details

List Price \$ 554.00

Technology



Design awards



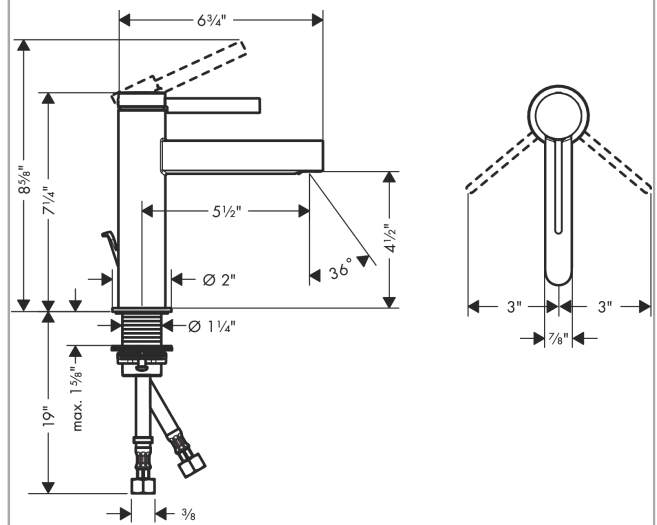
Compliance



Product image



Scale drawing

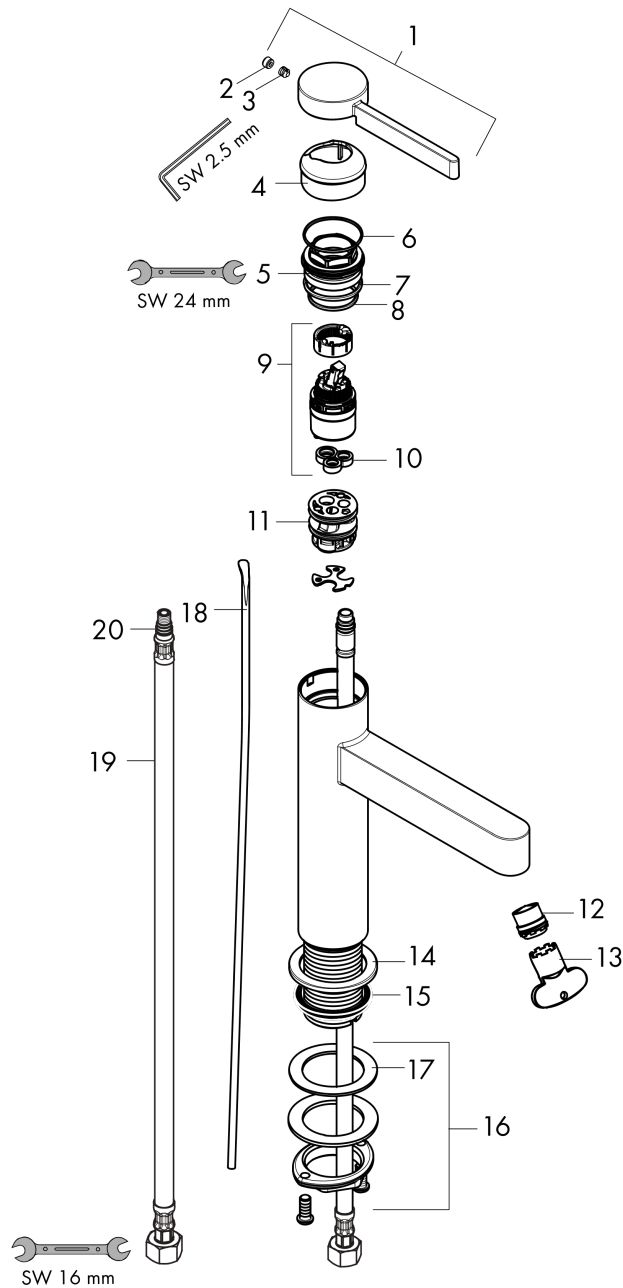


Finoris
Single-Hole Faucet 110 with Pop-Up Drain, 1.2 GPM
 Finishes : **brushed nickel** Part no. : **76020821**



Exploded drawing

Year of production: >11/21



Finoris
Single-Hole Faucet 110 with Pop-Up Drain, 1.2 GPM
 Finishes : **brushed nickel** Part no. : **76020821**



Spare parts list

Year of production: >11/21

Pos.	Description	Part no.	Price	PU
2	screw cover	93735460	-	1
3	hollow set screw M5x5	98446000	-	1
4	flange	93737820	-	1
5	nut	92926000	-	1
6	O-ring 30x1,5	98433000	-	1
7	O-ring 29x2	98391000	-	1
8	O-ring 25x1,5	98146000	-	1
9	cartridge, assy	93760000	-	1
10	seal	93383000	-	1
11	adapter for cartridge	98866000	-	1
12	spray former	93973000	-	1
13	special tool	98987000	-	1
14	escutcheon	94265820	-	1
15	flat seal	98749000	-	1
16	fixing set (Ø 32)	13961000	-	1
17	lever collar	97548000	-	1
18	pull rod	96657820	-	1
19	connection hose 23½" M8x0,75 3/8"	96556001	-	1
20	O-ring 6,6x1,6	93019000	-	1
a	lever arm 340mm (ball-Ø12mm)	96324000	-	1