

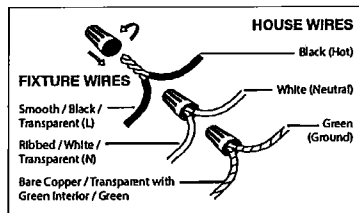
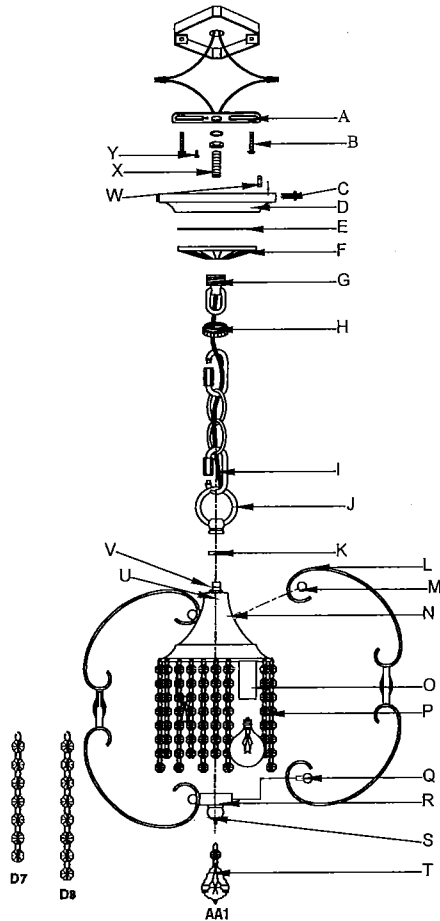
# Assembly Instructions: 1323-SF (Ella)

## IMPORTANT:

- ALL INSTALLATION WORK SHOULD BE DONE BY ACCREDITED PROFESSIONAL.
- SHUT OFF POWER SUPPLY AT FUSE OR CIRCUIT BREAKER!
- USE ONLY THE SPECIFIED BULBS. DO NOT EXCEED THE MAXIMUM WATTAGE!

For Customer Service, contact the place of purchase.

## PENDANT INSTALLATION



## PREPARING FOR INSTALLATION

Please note that this fixture can also be installed as a semi-flush.

Remove all of the contents from the carton. See the important notes above. Shut off the power at the circuit breaker and completely remove the old fixture from the ceiling, including the old mounting strap.

From the parts bag remove the mounting strap assembly. One end of nipple (X) should be attached to mounting strap (A) with a washer and hex nut in place. The other end should have canopy loop (G) attached. Attach mounting strap (A) to the junction box using mounting screws (B) and a screwdriver. Tighten securely. Unscrew canopy loop collar (H) from canopy loop (G). Pass the assembled canopy (D,E,F) over the mounted canopy loop to test the height. When installed correctly, approximately half of the canopy loop's exterior threads should be exposed, and the canopy loop collar should fit snugly onto the canopy loop. Remove canopy (D,E,F) and adjust the height of nipple (X) and canopy loop (G) until the desired height is reached.

## ASSEMBLING THE FIXTURE

Take the fixture's body out of the box. Top loop (J) is on the fixture's wires, but not attached to the body of the fixture. Pass the fixture's wires through top loop (J). Tighten spacer (K) onto post (V). Pull the wires until taut and thread top loop (J) onto post (V) of the fixture's body. By measuring, determine the correct number of chain links needed for proper hanging height. If necessary, use a pair of pliers to open and remove any excess chain. Attach one chain connector (I) to each end of chain (J). Use one of chain connectors (I) to attach the chain to top loop (J) and close the chain connector.

Feed the fixture's wires up through the chain (every three links or so), pulling the wires until taut. Slide canopy loop collar (H) and canopy (D,E,F) onto the chain/wire. Use the free chain connector (I) to attach the chain to canopy loop (G).

## CONNECTING THE WIRES

Have an assistant support the fixture's weight while completing the wiring. Cut away excess wire. Thread the fixture's wires through canopy loop and nipple. Attach the fixture's wires to the power supply wires from the junction box. Connect black (hot) to smooth/black/transparent (L); white (neutral) to ribbed/white/transparent (N); and ground (green) to bare copper/green/transparent with green interior. Twist the ends of the wire pairs together, and then twist on a wire connector. Make sure all twists are in the same direction. If there is no ground wire (green or copper) coming from the junction box, locate ground screw (E) on the mounting bracket/mounting strap and wrap the fixture's ground wire around the green ground screw (E). Use a screwdriver to secure ground screw (E) onto the mounting bracket/mounting strap. Tuck all wires neatly into the junction box.

## FINISHING THE INSTALLATION

Push canopy (D,E,F) up to the ceiling and slide canopy loop collar (H) up beneath the canopy. Tightly thread canopy loop collar (H) onto canopy loop (G) to secure canopy (D,E,F) in place. Carefully install light bulbs (not provided) in accordance with the fixture's specifications. Do not exceed the maximum recommended wattage. Carefully hang the D7 and D8 crystal strands (P) as depicted in the drawing above. Arms (L) are not attached to the fixture's body. Thread decorative screws (M and Q) into both posts (N and R) at the top and bottom of the fixture's body to attach the arms. Hang AA1 crystal drop (T) onto finial (S).

Your installation is now complete. Turn on the power and test the fixture.

## CLEANING TIPS

Treat the fixture gently! Regular cleaning will reduce the need for deep cleaning. For regular cleaning, turn off the light and wipe down the fixture with a clean lint-free cotton or microfiber cloth. Never spray cleaner directly onto the fixture.

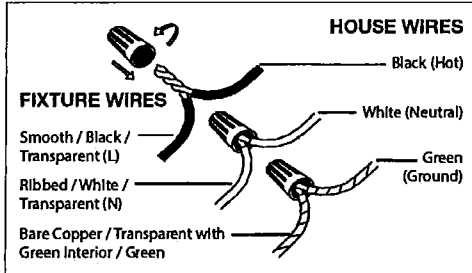


# Assembly Instructions: 1323-SF (Ella)

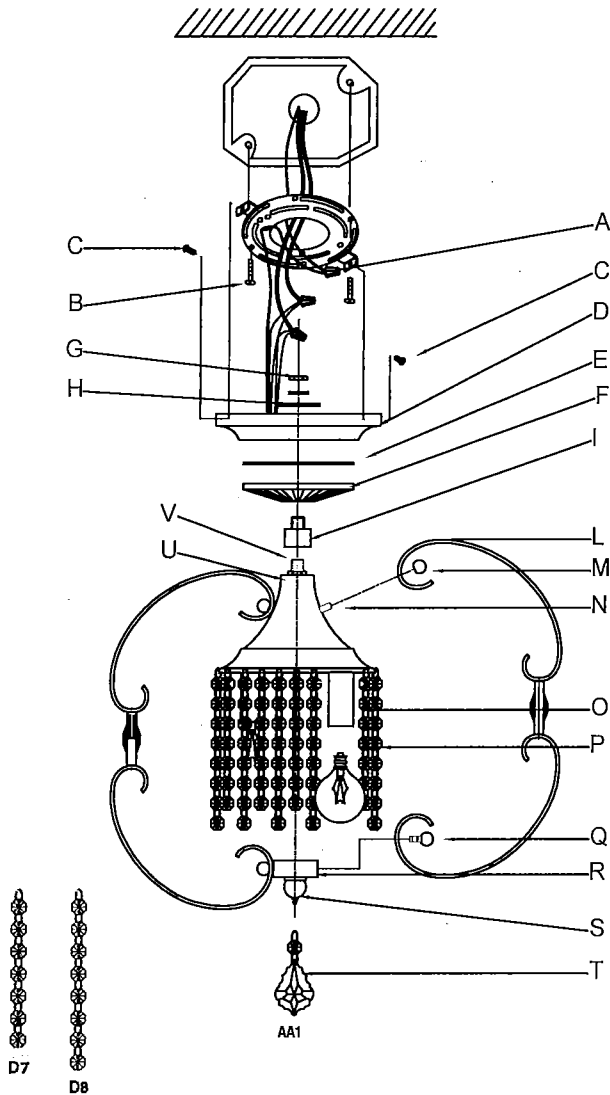
## IMPORTANT:

- ALL INSTALLATION WORK SHOULD BE DONE BY ACCREDITED PROFESSIONAL.
- SHUT OFF POWER SUPPLY AT FUSE OR CIRCUIT BREAKER!
- USE ONLY THE SPECIFIED BULBS. DO NOT EXCEED THE MAXIMUM WATTAGE!

For Customer Service, contact the place of purchase.



## SEMI-FLUSH INSTALLATION



## PREPARING FOR INSTALLATION

Please note that this fixture can also be installed as a pendant.

Carefully remove all of the contents from the carton. See the important notes above. Shut off the power at the circuit breaker and completely remove the old fixture from the ceiling, including the old mounting strap.

Mounting strap (A) contains several pairs of threaded holes. Find the pair of holes that matches the spacing of the holes on the junction box and your fixture's backplate. Keep in mind that you will need to line up the key holes of mounting strap (A) with the holes in canopy (D). Pull the house wires through the center of mounting strap (A). Place mounting strap (A) over the junction and secure mounting strap (A) to the junction box with mounting screws (B) and a screwdriver. Tighten the screws securely. Assemble canopy (D, E, F) by securing the parts together onto top cap (I) using washers (H) and nut (G). Twist top cap (I) onto post (V) to connect the canopy and fixture.

## CONNECTING THE WIRES

Have an assistant support the fixture's weight while completing the wiring. Cut away excess wire. Pull the fixture's wires through the canopy. Attach the fixture's wires to the power supply wires from the junction box. Connect black to smooth/black/transparent (L) wire; white to ribbed/white/transparent (N) wire; ground to ground (green or copper). Twist the ends of the wire pairs together, and then twist on a wire connector. Make sure all twists are in the same direction. If there is no ground wire (green or copper) from the junction box, locate ground screw on the mounting bracket/mounting strap and wrap the fixture's ground wire around the green ground screw. Use a screwdriver to secure ground screw onto the mounting bracket/mounting strap. Tuck all wires neatly into the junction box.

## FINISHING THE INSTALLATION

Raise canopy (D, E, F) up to mounting strap (A). Match the locations of the holes in the canopy to the keyholes on mounting strap (A). Secure canopy (D, E, F) in place by threading decorative screws (C) into the keyholes on the sides of mounting strap (A). Carefully install light bulbs (not provided) in accordance with the fixture's specifications. Do not exceed the maximum recommended wattage.

Carefully hang the D7 and D8 crystal strands (P) as depicted in the drawing to the left. Arms (L) are not attached to the fixture's body. Thread decorative screws (M and Q) into both posts (N and R) at the top and bottom of the fixture's body to attach the arms. Hang AA1 crystal drop (T) onto finial (S).

Your installation is now complete. Turn on the power and test the fixture.

## CLEANING TIPS

Treat the fixture gently! Regular cleaning will reduce the need for deep cleaning. For regular cleaning, turn off the light and wipe down the fixture with a clean lint-free cotton or microfiber cloth. Never spray cleaner directly onto the fixture. Dry with a lint-free or microfiber cloth.

