

I Light Wall

4000501 | 1.0

GENERAL PRODUCT INFORMATION:

These fixtures are intended to be installed utilizing NEC compliant junction boxes.

This product is safety listed for damp locations.

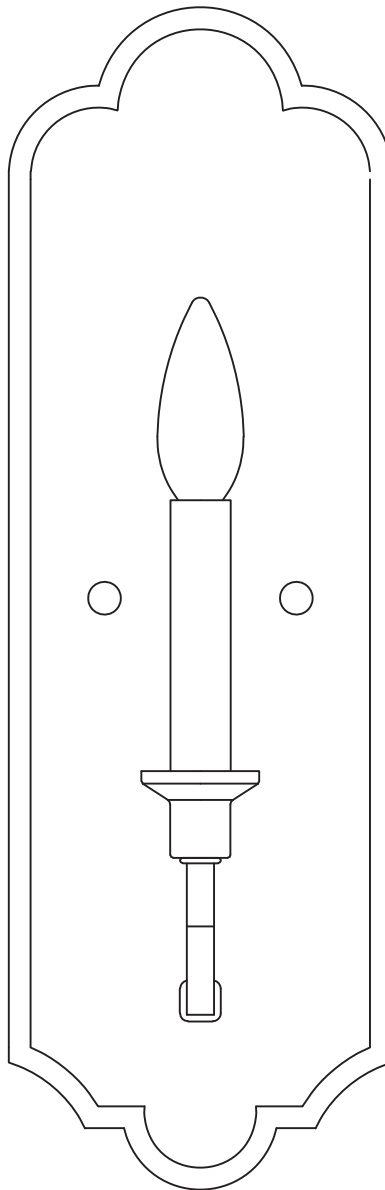
Incandescent version may be dimmed with a standard incandescent dimmer. LED version may be dimmed with a LED dimmer. Consult lamp manufacturer for additional information.

This instruction shows a typical installation.

CAUTION - RISK OF FIRE

This product must be installed in accordance with the applicable installation code by a person familiar with the construction and operation of the product and the hazards involved.

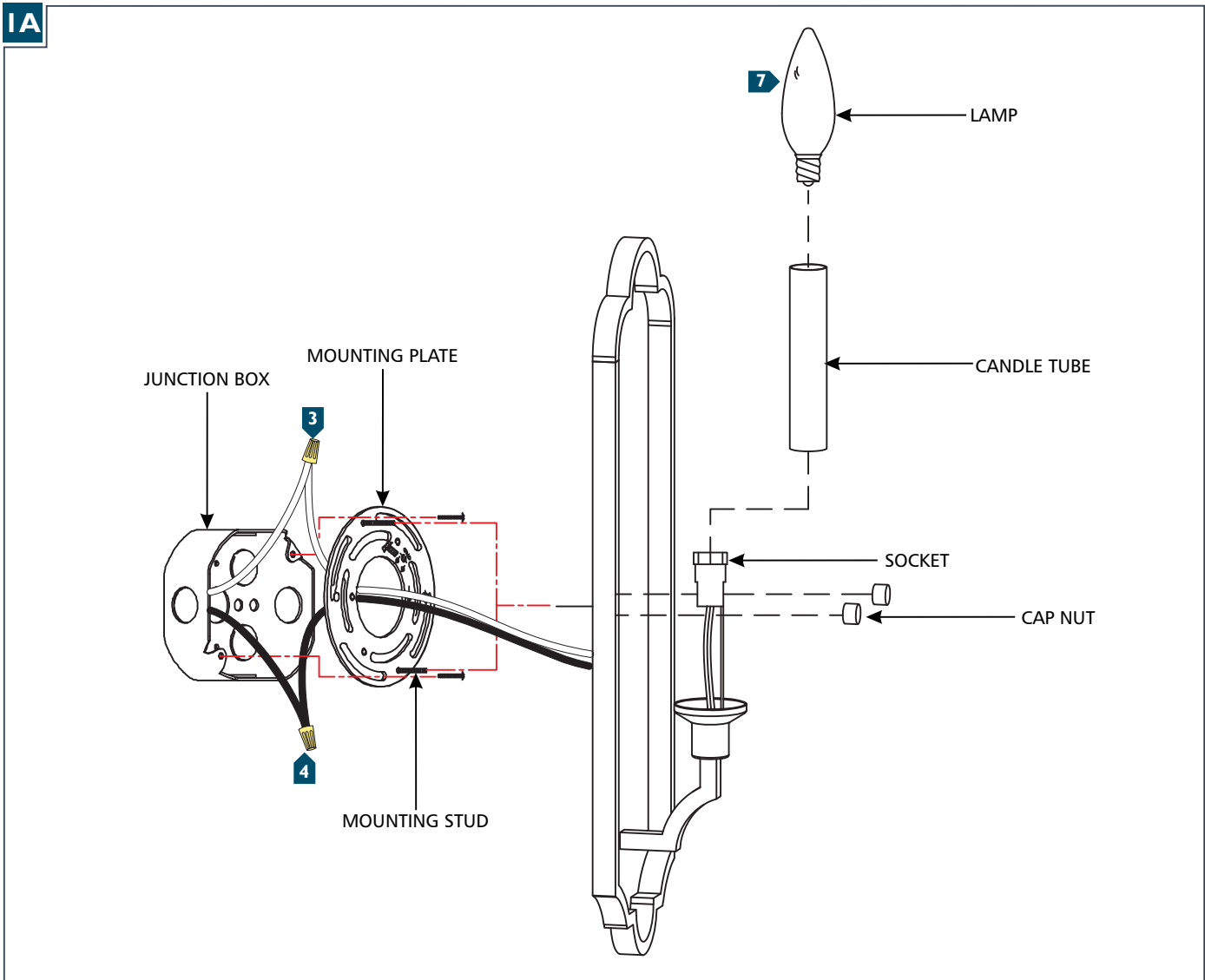
Use minimum 90°C supply conductors.



SAVE THESE INSTRUCTIONS!

Install the Fixture

1A



- 1 Secure the mounting plate to the junction box.
- 2 Connect the fixture to a suitable ground in accordance to local electrical codes.
- 3 Connect the white fixture wire (square and/or rigid) to the neutral power line wire with a wire nut.
- 4 Connect the black fixture wire (round and/or smooth) to the hot power line wire with a wire nut.
- 5 Neatly place all the wires into the junction box, place the fixture base onto the mounting studs, and secure it in place by screwing the cap nuts onto the studs.
- 6 Install the candle tube by sliding it over the socket.
- 7 Screw the lamp into the socket. Refer to the label on the socket for Max Wattage Information.