



# GERBER

## 40-113 Series Maxwell®

### Single Handle Lavatory Faucet



#### Features:

- 3 hole installation
- Ceramic disc cartridge, G0092298, w/temp limit stops
- Includes plastic/brass drain with color-matching cap and rough brass tailpiece; includes 50-50 pop-up drain with color-matching cap and black tailpiece; or no drain
- 4" center to center installation range
- Chrome, brushed nickel or tumbled bronze finish
- 1.2 gpm (4.5 L/min) maximum aerator GA50096355N @ 60 psi
- Lead free waterway per NSF/ANSI 372
- Fully ADA compliant
- Limited lifetime warranty
- Meets CEC requirements

#### Standards & Certifications:

- ASME A112.18.1M
- NSF/ANSI 372
- IAPMO/cUPC
- ICC/ANSI A117.1
- MASS Code
- EPA/Watersense

#### Catalog Numbers:

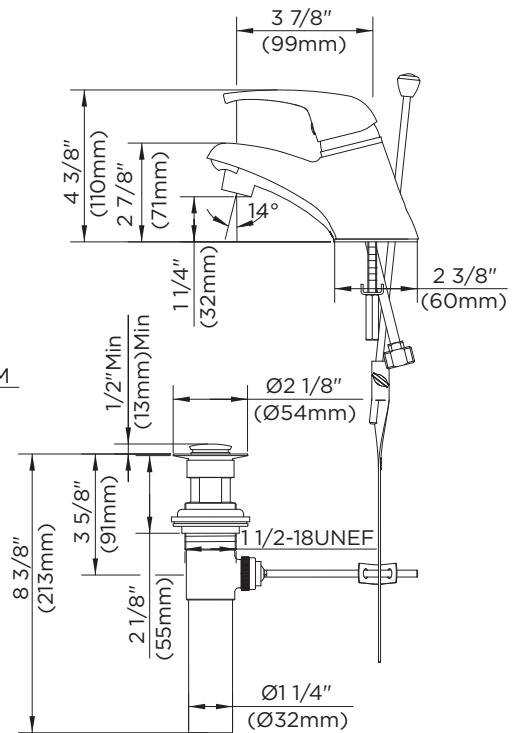
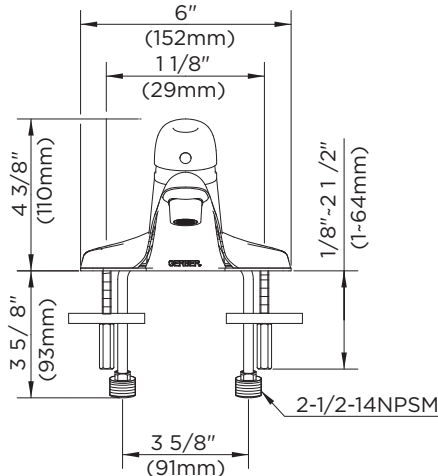
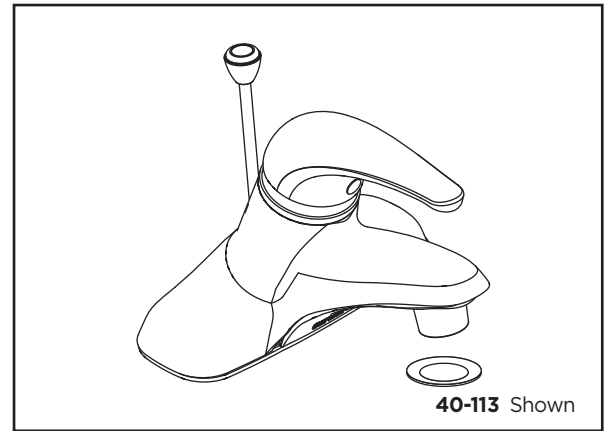
- 40-113** Less Drain Assembly, Chrome
- 40-113-BN** Less Drain Assembly, Brushed Nickel
- 40-114** Plastic Pop-up GA605110, Chrome
- 40-114-BN** Plastic Pop-up GA605110, Brushed Nickel
- 40-115** Brass Pop-up GA605007, Chrome
- 40-115-BN** Brass Pop-up GA605007, Brushed Nickel
- 40-115-BR** Brass Pop-up GA605007, Tumbled Bronze
- 40-116** 50/50 Pop-up GA505020, Chrome
- 40-116-BN** 50/50 Pop-up GA505020, Brushed Nickel
- 40-116-BR** 50/50 Pop-up GA505020, Tumbled Bronze

#### Prefixes Available:

None

#### Suffixes Available:

- BN Brushed Nickel
- BR Tumbled Bronze



Job Name	
Date	
Model Specified	
Quantity	
Customer	
Contractor	
Architect/engineer	

Gerber Toll Free Technical Support: 888-648-6466  
www.gerberonline.com