

10" Rough-in

Features:

25-733

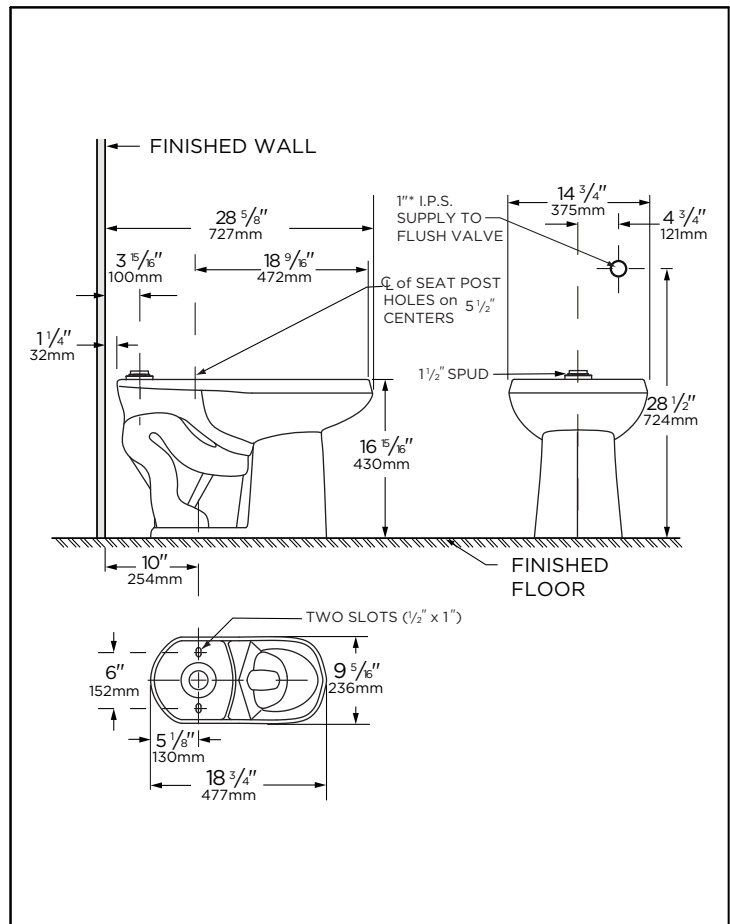
Included Components:

- Bowl 25-733
- Vitreous China
- 1.28gpf High Efficiency or 1.6gpf Low Consumption Floor Mount Bowl
- 10" Rough-in
- ErgoHeight™ Elongated Spud Bowl
- Top Spud
- Siphon Jet
- 1 1/2" Spud for Flushometer Valve
- Toilet seat not included



Technical Information:

Configuration	ErgoHeight™ ADA Elongated Spud Bowl
Water per flush	1.28 gpf (4.8 lpf) or 1.6 gpf (6.0 Lpf)
Rough-In	10"
Height	16 15/16"
Width	14 3/4"
Depth	27 3/8"
Trapway	2"
Large Water Surface	8 11/16" x 6 5/16"
Shipping Weight	53.2 lbs



Available Colors:

- White only
- Other: Refer to price Book for additional colors/finished

Warranty:

- Limited Lifetime on Vitreous China, refer to the website for more details.



NOTES: All dimensions are in inches and millimeters. Use flush valve manufacturer's recommended rough-in. Illustrations may not be drawn to scale.

IMPORTANT: Dimensions of fixtures are nominal and may vary within the range of tolerances established by ASME Standard A 112.19.2. THIS FIXTURE QUALIFIES ACCORDING TO ASME TEST PROCEDURES AS A HIGH EFFICIENCY WATER CLOSET WITH AN AVERAGE CONSUMPTION OF 1.28 gpf (4.8 Lpf) OR LESS.