

SPECIFICATIONS


Features/Benefits

- 2.5 gpm (9.5 L/min) Max Flow @ 80 psi
- Single Function
- Personal Spray with Soft Touch Control
- Use with D491100 Rough-In, Sold Separately
- Coordinates with Antioch[®], Draper[®], Eastham[™] and Opulence[®] Collections



Available Color/Finishes

Color	Description
-------	-------------

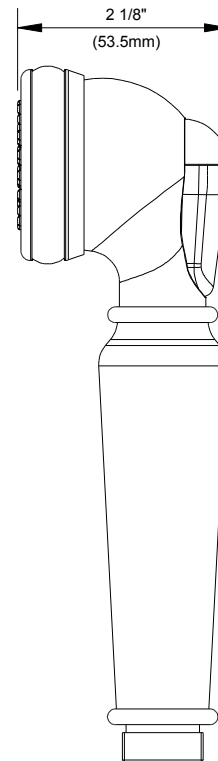
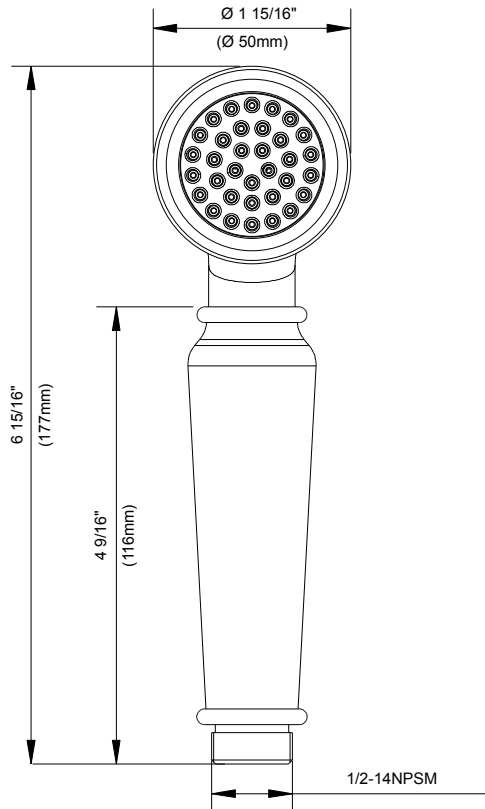
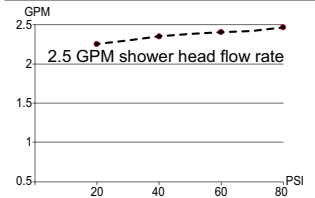
	Chrome
---	--------

Please see danze.com or current price list for available finishes.
Finish is defined by additional suffix.

Standards & Certifications



Flow Rate



Submittal Information:

Name: _____
Location: _____

Contractor: _____
Contact #: _____