

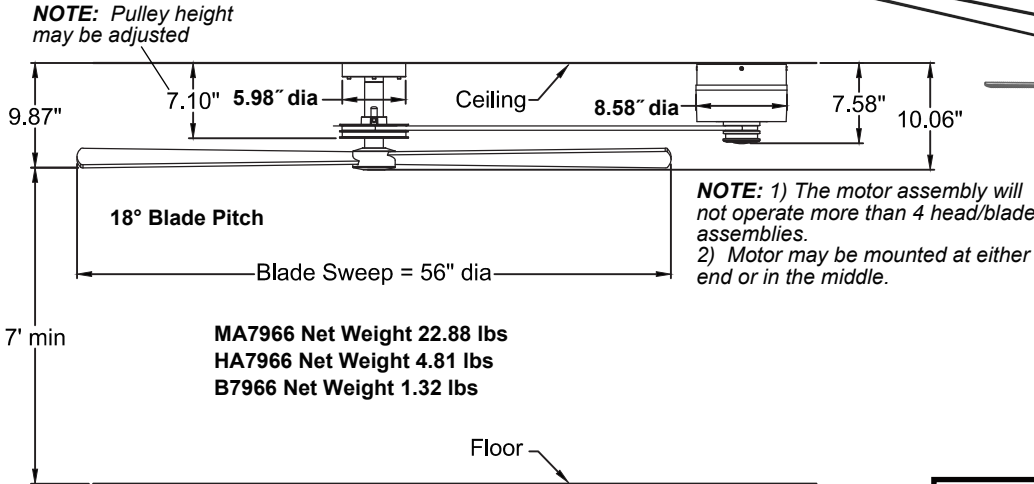
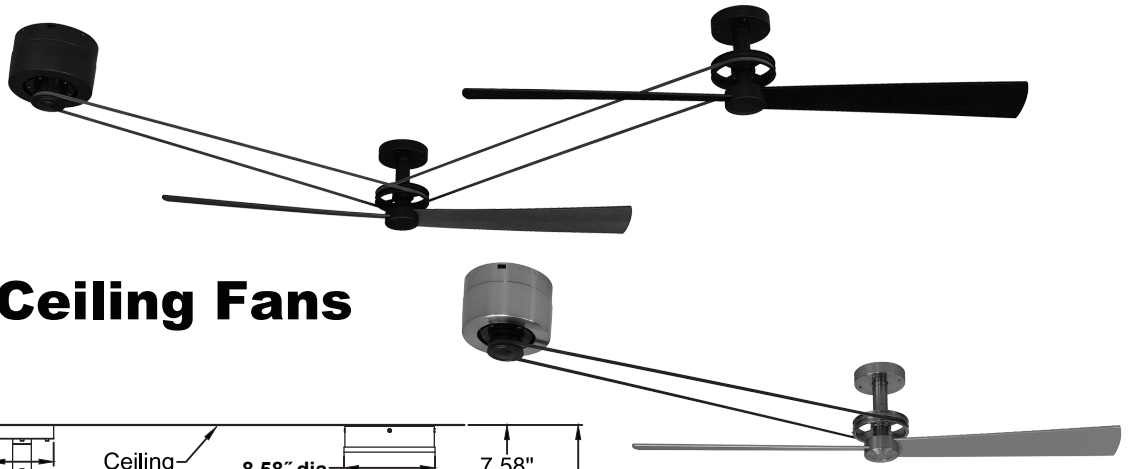
KELLAN™

MA7966**

HA7966**

B7966**

Belt-Driven Ceiling Fans



INSTALLATION REQUIREMENTS:

It is recommended that each fan and motor assembly have 3/4" plywood backing secured to a structural member for adequate support. Each fan assembly consists of 1 motor and 1 pulley/blade assembly. Motor unit can operate a maximum of 4 pulley/blade assemblies—will result in reduced rpm. Not recommended for sound-sensitive areas. Call technical support for more information.

ELECTRICAL REQUIREMENTS:

120 Volts AC, 60 Hz, 15 amp circuit,
15 amp electrical feed, centered under motor unit.

MOTOR SPECS:

188 x 25 motor is designed for optimal performance with this fan.
Head assembly—sold separately.

BLADES:

A set of two 27" plywood blades—sold separately.

CONTROL OPTIONS:

TR33 hand-held remote control is included. Push button remote control has 3 fan speeds and off button. Instructions are provided with each control.

LOCATION USE:

Fan is rated for dry locations only.

Motor Unit with Head Assembly			
	Fan Speed (RPM)		
	High	Medium	Low
One-HA7966	133	92	50
Two-HA7966	138	93	67
Three-HA7966	111	71	47
Four-HA7966	91	58	36

Airflow / Energy Efficiency Info (120V) base on one MA7966 runs one HA7966					
Fan Speed	Max RPM	CFM	CFM / Watts	Amps	Watts
High	135	4659	128	0.40	37
Med	95	3104	122	0.34	26
Low	53	1678	106	0.27	16

Available Finishes					
Motor Assembly-MA7966		Head Assembly-HA7966		Blade Set-B7966	
DZ	Dark Bronze	DZ	Dark Bronze	Cherry/Dark Walnut	
BN	Brushed Nickel	BN	Brushed Nickel	Brushed Nickel	