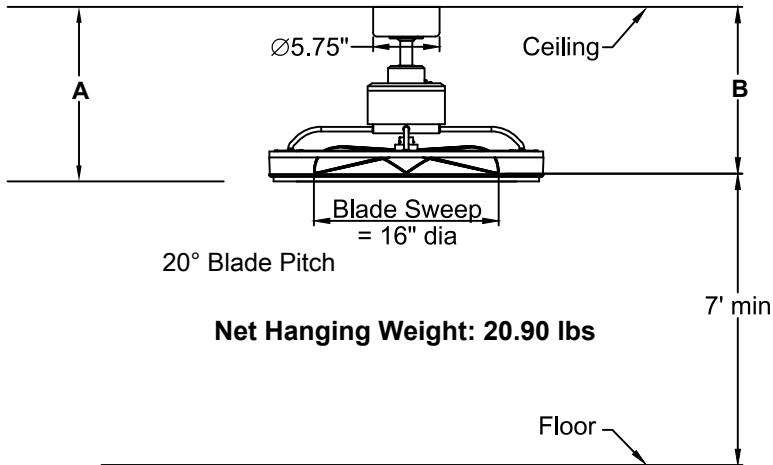




GLEAM™

FP8404** 24" Ceiling Fan

	A	B
Fan w/4.5" downrod	14.91"	14.67"
Fan w/12" downrod	22.41"	22.17"
Fan w/18" downrod	28.41"	28.17"
Fan w/24" downrod	34.41"	34.17"
Fan w/36" downrod	46.41"	46.17"
Fan w/48" downrod	58.41"	58.17"
Fan w/60" downrod	70.41"	70.17"
Fan w/72" downrod	82.41"	82.17"



INSTALLATION REQUIREMENTS:

Fan must be attached to a securely anchored electrical junction box capable of withstanding a load of at least 35 lbs.

ELECTRICAL REQUIREMENTS:

Requires a grounded electrical supply line of 120 volts AC, 60 Hz, 15 amp circuit.

MOTOR SPECS:

82 x 30 AC motor is designed for optimal performance with this fan

CONTROL OPTIONS:

TR500 hand-held remote control is included. Push button remote control with variable fan speeds, infinite light levels and off button. Optional CWRL4**, WC2WH and WR501WH wall controls, BTR9, CRL4WH hand held remote controls and BTR9 and WFR50 receiver are available—sold separately. Instructions are provided with each control.

LIGHTING OPTIONS:

20-watt LED included.

DOWNROD OPTIONS:

Fan comes with 1" dia. x 4.5" long downrod (DR1-45). Optional downrods available in 12", 18", 24", 36", 48", 60", and 72" lengths. A downrod coupler is available for installations requiring a downrod longer than 72". Fan can be mounted on a sloped ceiling up to 27°. Most sloped ceiling installations require a downrod longer than the standard 4.5" downrod. Optional sloped ceiling ball kits (SCB1-52) are available for slope angles greater than 27° and up to 42°. Optional close-to-ceiling kit is available as well—sold separately. Call technical support for more information.

LOCATION USE:

Fan is rated for dry and damp locations.

Available Finishes

BL	Black with Black
BN	Brushed Nickel with Brushed Nickel

Airflow / Energy Efficiency Info (120V)

Fan Speed	Max RPM	CFM	CFM / Watts	Amps	Watts
High	563	1531	34	0.38	44.8
Med	461	1287	39	0.34	33.3
Low	325	839	48	0.25	17.5

Energy Guide FTC

Power (W _{ave})	Total Air Delivery (CFM _{ave})	Estimated Yearly Energy Cost (\$)	Ceiling Fan Efficiency (CFM/W)
33	1206	9	36

Light Bulb Information (120V)

Bulb Type	Watts	Lumens Amount	Color Temp	CRI
LED	20	2200	3000	90%