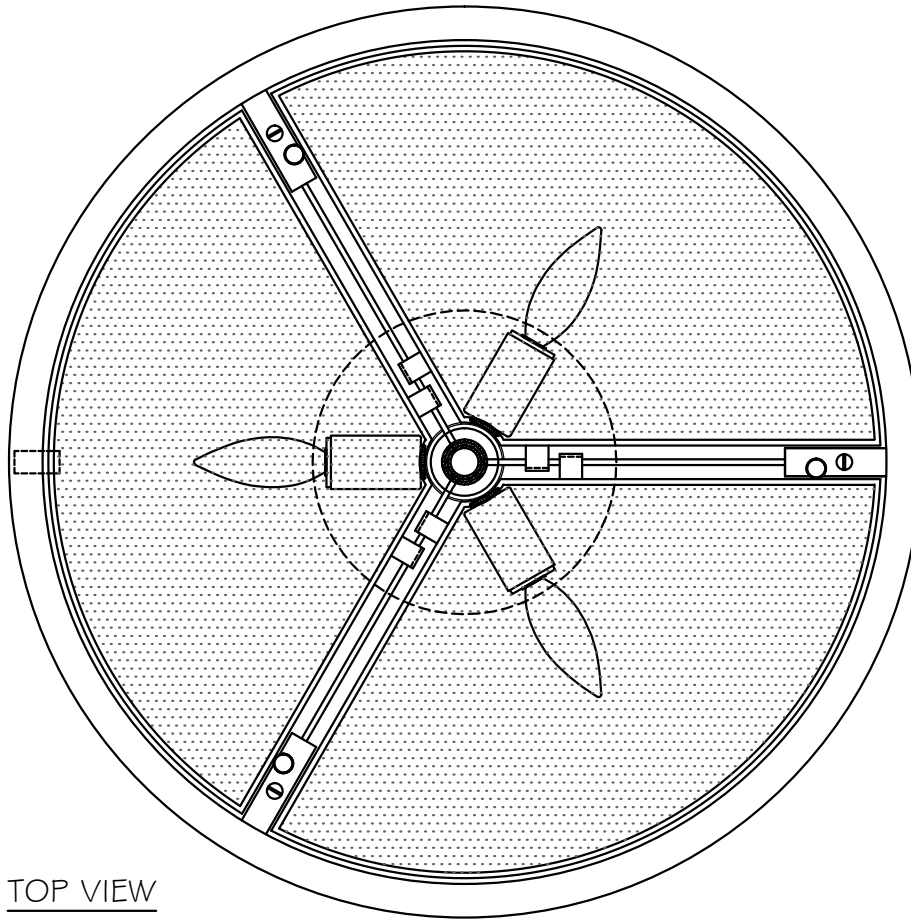
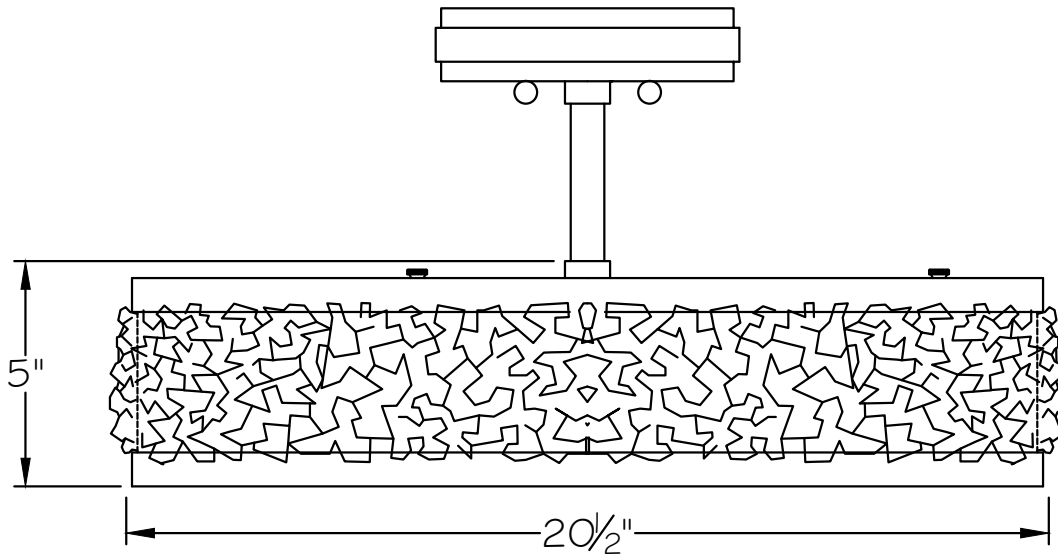


# CUSTOMER REFERENCE DRAWING

REV.	ECN # IF APPLIC.	REVISION DESCRIPTION	REQ. BY	DRAFTER	DATE
1	NA	ORIGINAL RELEASED VERSION	NA	AC	4/26/16



TOP VIEW



FRONT VIEW

APPLICABLE STYLE NUMBERS: ST-SILVER /-1ST CHAMP. /-2ST MAT.BLACK / / /

**FINE  
ART  
LAMPS®**  
EST. 1940

This drawing and specifications are the exclusive property of FINE ART LAMPS® issued in strict confidence and shall not, without the prior written permission of FINE ART LAMPS® be produced, copied or used for any purpose whatsoever except the manufacture articles for  
FINE ART LAMPS®  
www.fineartlamps.com  
TEL:(305) 821-3850 FAX:(305) 821-1564

STYLE NUMBER: 879940

PART NUMBER:

SCALE: N.T.S.

DRAFTER: AC

STYLE ENGINEER:

DATE: 4/26/16

REVISION:

SHEET: /