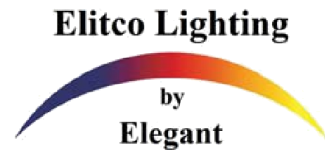


Elitco Lighting

Headquarter: 500-550 E. Erie Avenue Philadelphia, PA 19134
Toll-Free:1-888-388-3390 Tel:(215)423-8880 Fax:(215)423-8882



INSTALLATION INSTRUCTIONS READ THIS FIRST KEEP THESE INSTRUCTIONS

MODEL: C202

Please read these instructions carefully. Luminaires must be installed in accordance with the National Electrical Code (NEC) and local codes. Failure to do so will void the warranty and may result in serious injury and/or damage to the luminaire.

SAFETY WARNING: Luminaire can become very hot depending on lamp wattage used. Lens and metal around lamp can become hot enough to blister hands. Particular care should be taken not to locate luminaires where small children can reach them if high wattage lamps are used.

WARNING: Debris must be kept clear from top and interior of inground fixtures. Excessive heat could occur that may create a fire hazard and/or harm the fixture components. Specific attention must be made to never install inground fixtures in mulch, wood chips or other potentially ignitable materials. For installation in potentially ignitable materials, such as mulch and wood chips, installer must use an above-ground mounted fixture. Failure to do so will void the warranty and may result in serious injury and/or damage to the fixture and/or property.

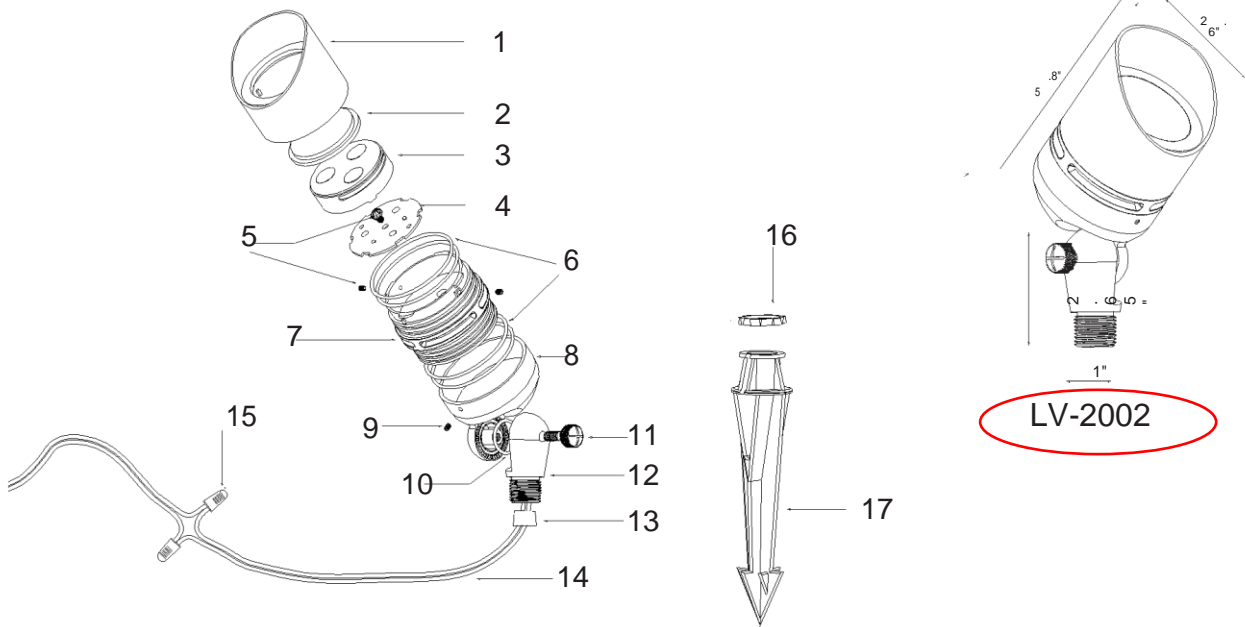
NOTE: LUMINAIRES ARE NOT TO BE INSTALLED WITHIN 10 FT. (3.05M) OF A POOL OR SPA. SECONDARY CABLE IS NOT TO BE BURIED MORE THAN 6". WHEN USING MULTIPLE LUMINAIRES, LOAD IS NOT TO EXCEED THE TOTAL WATTS OF TRANSFORMER RATING. DO NOT USE EXTENSION CORDS ON POWER UNITS.



NOTE

1. Always use UL, CSA recognized wire connectors for connections.
2. The fixture supply cable is to be protected by routing in close proximity to the luminaire. The fixture supply should be buried to a maximum depth of 6 inches (15.2 cm) in order to connect to the main secondary supply cable. To purchase additional lengths of main low voltage cable for the connection of the equipment, please contact your local electrical supply distribution company. Only use Main Secondary Cable of the type specified in the National Electric Code, or Canadian Electric Code for landscape lighting applications. If in doubt check with your local electrical authority.

FIXTURE DETAILS:



- | | | | | |
|--------------|-------------|-----------------|--------------|--------------|
| 1. Hood | 2. Glass | 3. Lens | 4. LED Board | 5. Screw |
| 6. O-Ring | 7. Housing | 8. Base | 9. Screw | 10. O-Ring |
| 11. Screw | 12. Knuckle | 13. Rubber Plug | 14. Wire | 15. Wire Nut |
| 16. Lock Nut | 17. Stake | | | |

Assembly instructions

1. Install Stake

To install loosen ground with a shovel or soften soil with water, then press stake into the ground.
NOTE: Do not hammer directly. Place a board on top of stake while hammering into ground.

2. Install fixture to stake

Lay the fixture wire into wire way slot and screw fixture clockwise into stake.

3. Wire Connections

Strip two leads from fixture wire. Using two wire connectors (not included), connect leads from fixture to low voltage main supply cable leads.

Mounting Options

- | | | |
|--------------|----------------------|---------------------|
| 1. ABS stake | 2. Solid brass stake | 3. Solid brass base |
|--------------|----------------------|---------------------|