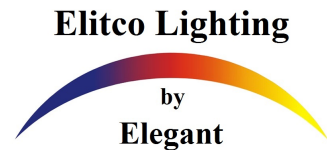


# Elitco Lighting

Headquarter: 500-550 E. Erie Avenue Philadelphia, PA 19134  
Toll-Free:1-888-388-3390 Tel:(215)423-8880 Fax:(215)423-8882



## INSTALLATION INSTRUCTIONS

**MODEL: C048**

### READ THIS FIRST

### KEEP THIS INSTRUCTIONS

Please read this instruction carefully. Luminaires must be installed in accordance with the National Electrical Code (NEC) and local codes. Failure to do so will void the warranty and may result in serious injury and/or damage to the luminaire.

**SAFETY WARNING:** Luminaire can become very hot depending on lamp wattage used. Lens and metal around lamp can become hot enough to blister hands. Particular care should be taken not to locate luminaires where small children can reach them if high wattage lamps are used.

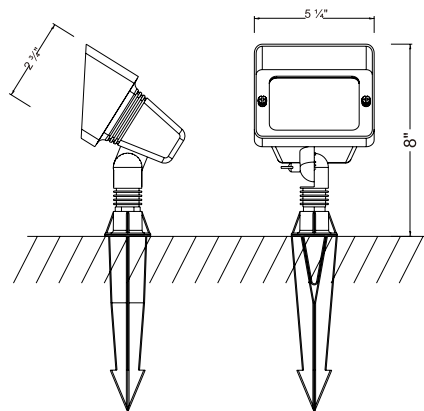
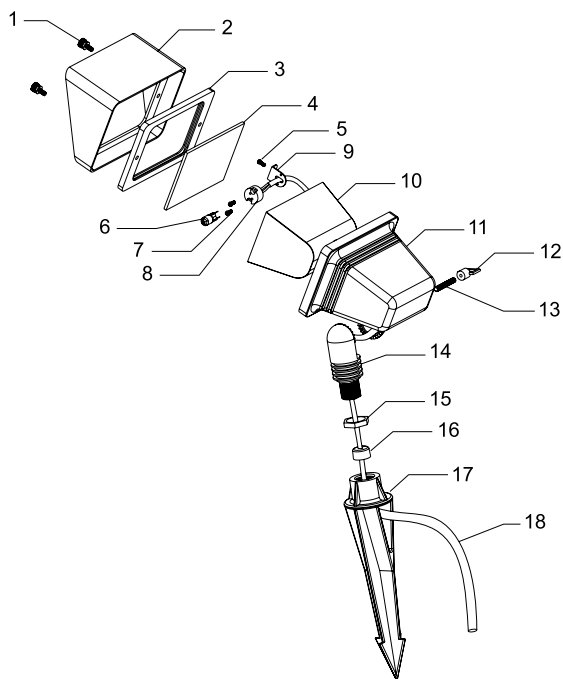
**NOTE: LUMINAIRES ARE NOT TO BE INSTALLED WITHIN 10 FT. (3.05M) OF A POOL OR SPA. SECONDARY CABLE IS NOT TO BE BURIED MORE THAN 6". WHEN USING MULTIPLE LUMINAIRES, LOAD IS NOT TO EXCEED THE TOTAL WATTS OF TRANSFORMER RATING. DO NOT USE EXTENSION CORDS ON POWER UNITS.**

**NOTE: Always use UL recognized wire connectors for connections. LUMINAIRE IS FOR ABOVE GROUND INSTALLATION ONLY.**

### ASSEMBLY AND INSTALLATION

1. Determine desired location for mounting Luminaires.
2. At desired location, hammer the spike into ground. To avoid damage to spike, please place a board on the top of the spike while hammering. If ground is hard and spike is difficult to install, make a crosscut in ground using a flat shovel.
3. Clear away area in ground at wireway slot in top of spike.
4. Lay 12V cable into wireway slot and screw luminaire in to spike. Aim luminaire in desired direction.
5. Loosen the Thumb screw and Pull the Hood out. Install the G4 Bulb into the socket. And then install the Hood back to the body. Loosen the Knob to get desired angle, then tighten the Knob.
6. TURN OFF POWER.
7. Make wire connections using approved wiring connection method (not supplied).

## FIXTURE DETAILS:



1.Thumb Screw	5.Bracket Screw	9.Bracket	13.Screw Rod	17.Spike
2.Hood	6.G4 Bulb(not included)	10.Reflector	14.Knuckle	18.SPT1W-18 WIRE
3.Gasket	7.Socket Screw	11.Body	15.Knuckle Nut	
4.Glass	8.Socket	12.Knob	16.Rubber Plug	

## IMPORTANT SAFETY INSTRUCTIONS THE LIGHTED LAMP IS HOT!!

**WARNING: TO REDUCE THE RISK OF FIRE, OR INJURY TO PERSONS:**

1. Turn off/unplug and allow to cool before replacing lamp.
2. Lamps get hot quickly! Contact only switch/plug when turning on.
3. Do not touch hot lens, guard or enclosure.
4. Keep lamp away from material that may burn.
5. Do not touch the lamp at any time. Use a soft cloth. Oil from the skin may damage lamp.
6. Do not operate luminaire fitting with a missing or damaged cover.

## LAMP INSTALLATION/REPLACEMENT:

**CAUTION:** Do not exceed maximum wattage marked on luminaire label.

1. To prevent electrical shock, disconnect transformer from electrical supply before service.
2. Loose the Thumb Screw to get the Hood from the bottom body.
3. Replace lamp with correct wattage and type marked on fixture label.
4. Re-install the Hood.

**NOTE:** Avoid aiming fixture directly upward. Whenever possible, set at angle to prevent rain or irrigation water from settling on lens.