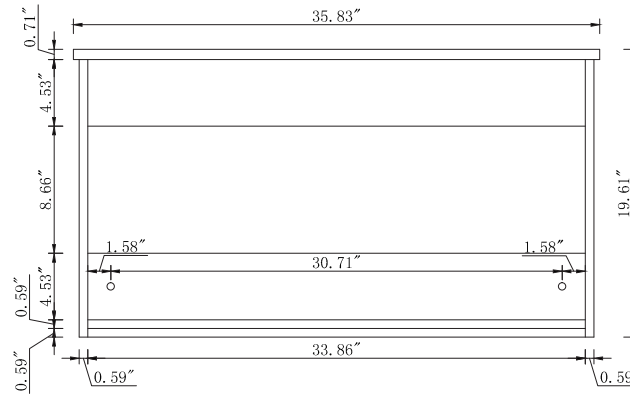
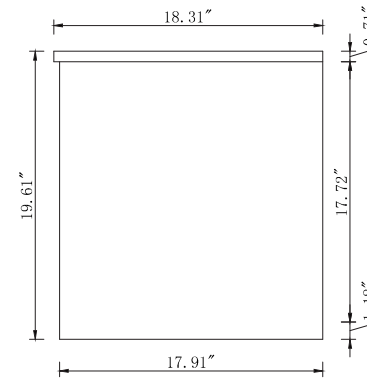


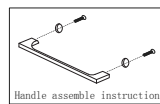
Top view



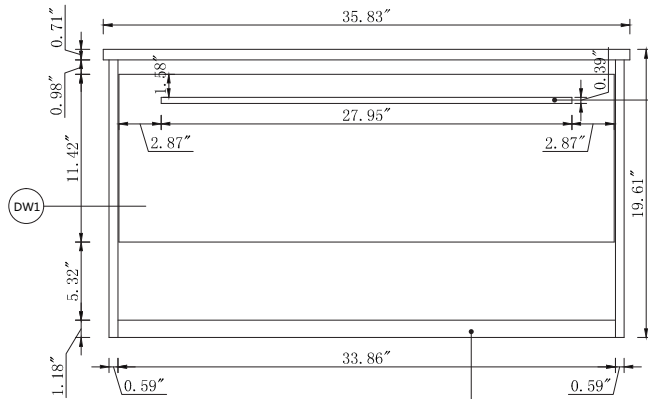
Back view



Side view

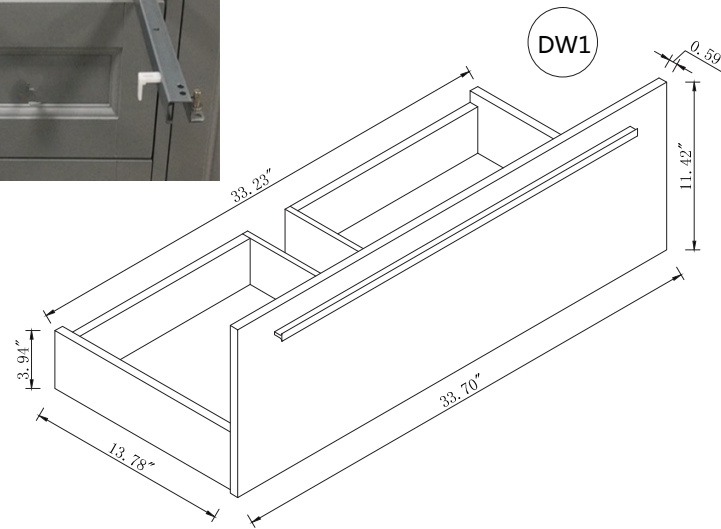


Handle assemble instruction



Front view

SHF1



Drawer Interior Size

DWG. NO.:

MODEL NO.:

VF43536MWT

ALTERATIONS

- 1
- 2
- 3
- 4

FOR PROPOSAL ONLY ALL DIMENSIONS TO BE VERIFIED

SCALE:

DWG. BY:

CHECKED BY:

DATE:

PROJECT:

Qty:

Color:

DRAWING TITLE:

FINISH:

Elegant



Decor

ELEGANT LIGHTING