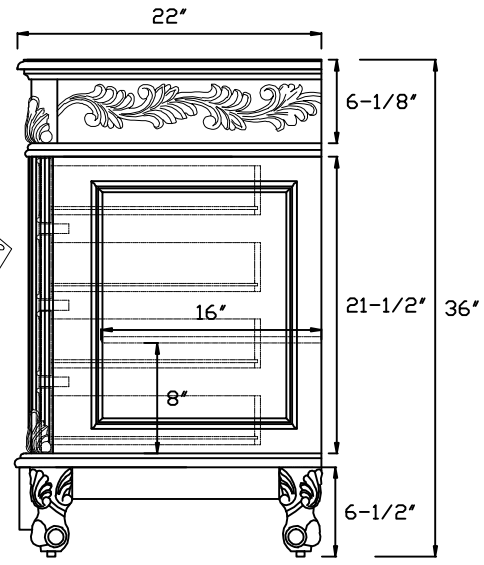
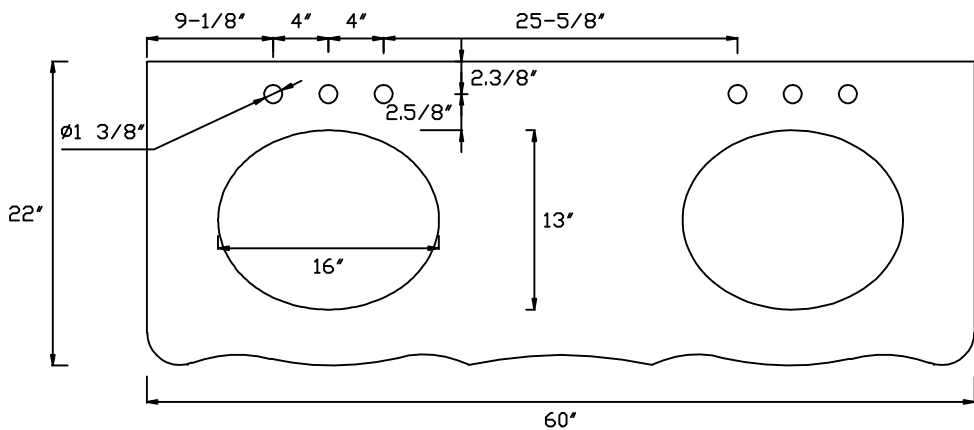


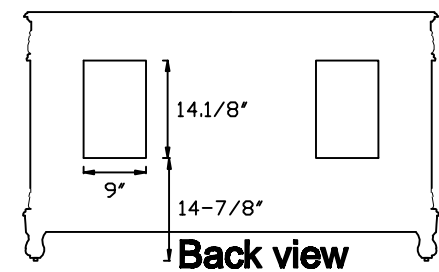
Front view



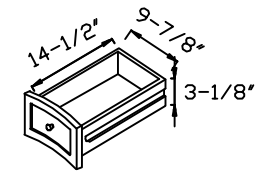
Side view



Top view



Back view



Drawer Interior Size

DWG. NO.
MODEL NO: VF-1049VM
SPEC NO:
QUANTITY:
DATE: 10/26/2020
CHECKED BY:
FOR PROPOSAL ONLY ALL DIMENSIONS TO BE VERIFIED
PROJECT:
COLOR:
FINISH:
REVISIONS
①
②
③
④
⑤
⑥
ELEGANT FURNITURE & LIGHTING™
500-550 E. Erie Avenue Philadelphia PA 19134

Model #	VF-1049VM	Finish	Vintage mint	Mirror type	N/A	Beveled glass	N/A	Frame material	Solid wood and MDF	DWG. NO.	
Solid wood construction	Solid wood legs	Drawers Included	YES	Number of Drawers	4	Joinery Type	N/A	Drawer railing	N/A	MODEL NO: VF-1049VM	
Drawer Width (in)	11.5	Drawer Depth (in)	15	Drawer Height (in)	4.875	Shelves	YES	Number of Shelves	2	SPEC NO:	
Doors included	Yes	Number of Doors	4	Finished Back	Yes	Hardware finish	Antique bronze	Assembly	NO	QUANTITY:	
Countertop included	Yes	Countertop material	Marble	Number of Sinks accommodated	1	Sink material	Porcelain	Sink Width	16"	DATE:	
Sink Depth	13"	Sink height	7	Sink hole size	1.75	Mounting type	free-standing	Backsplash	No	CHECKED BY:	
Backsplash Width	N/A	Backsplash Depth	N/A	Backsplash Height	N/A	Drain assembly included	NO	Faucet included	NO	FOR PROPOSAL ONLY ALL DIMENSIONS TO BE VERIFIED	
Faucet type	NO	Faucet hole size	1.38	Faucet hole spacing	8"3 Holes	Product Width	60	Product Depth	22		PROJECT:
Product Height	36	Package LENGTH (inches)	64.3	Packaged WIDTH (inches)	26.3	Packaged Height(inches)	40.00	Package Weight (lbs)	258.00		COLOR:
Product Weight	224.00	Shipment Type	LTL	Table/Desk: top width	22	Table/Desk top finish	White with occasional coffee color vein	glass top tempered	N/A		FINISH:
table top maximum weight	140 lbs	Table:seating capacity	1	upholstery color	N/A	upholstery pattern	N/A	cushion material	N/A		REVISIONS
base finish	light green	powder coated finish	NO	base material	MDF	top material	Marble	wood species	Rubber wood		①
tip over restraint strap	NO	shape of top	Rectangle	lift top	NO	shelf material	MDF	adjustable shelves	YES		②
Drawer Handle designs	Knobs	safety stop	Yes	felt lined drawers	NO	drawer glide extension	NO	drawer glide material	WOOD		③
drawer dividers	N/A	Drawer Interior finish	light green	Ball Bearing Glides	N/A	soft close drawer glides	NO	Number of cabinets	2		④
shelf width (in)	21	shelf depth (in)	16"	shelf height (in)	8	Shelf thickness	1/2"	Any certification (CARB/TSCA VI) ?	Yes		⑤
California Proposition 65 warning required	YES	Drawer Interior Width (in)	9.875	Drawer Interior Depth (in)	14.5	Drawers Interior Height (in)	3.125	cabinet interior width	21	⑥	
cabinet interior depth	16	cabinet interior height	21.5	leg width	3"	leg depth	3"	leg height	7.5"		
gloss finish	No	stackable	NO	leg design	bending legs	Armoires: ring slots	N/A	Armoires: hooks	N/A		
armoires: mirror dimensions	N/A	door thickness	1/2"	false drawers?	NO	Vanity countertop edge style	hypotenuse	# of faucet holes	6.50		



500-550 E. Erie Avenue
Philadelphia PA 19134
1-888-388-3390