

# LIVING DISTRICT

Collection:Maddox

Installation manual for:

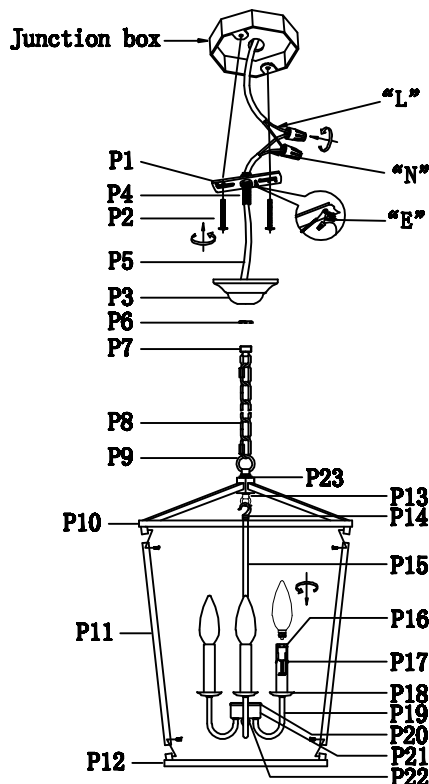
LD6008D20 L20"W20"H26.6" L4

## Installation instructions:

1. Black wire from ceiling(junction box) attaches to "L"wire from the fixture.
2. White wire from ceiling(junction box) attaches to "N"wire from the fixture.
3. "E" wire from the fixture is attaced to the mounting bracket and an additional "E" wire from the mounting bracket must be secured to the junction box.
4. Secure mounting bracket to the junction box.
5. Insert screws (P2) in side of top unit the mounting bracket.
6. Connect the square pipe (P11) with the upper frame (P10) and the lower frame (P12) and then screw it. Then hang the lamp body on the chain (P8) and then connected to the canopy lock (P7).
7. Hang the inside frame to the hold of the outside frame.
8. Put the canopy(P3) on the nipple(P4) and connect the canopy lock(P7),then use the canopy ring(P6) to screw tighten.
9. Install E12 light source,no include bulb.

## PARTS LIST

The end!



"L" = Hot wire  
 "N" = Neutral wire  
 "E" = Ground wire

part	picture	Description	Qty	Check list
P1		16" Mounting bracket	1	
P2		6/32-32 Screw	2	
P3		06.1" Canopy plat	1	
P4		Nipple	1	
P5		Power Cord 8.7', 18AWG, SPT-1 Clear/Gold/Black	1	
P6		Canopy ring	1	
P7		Canopy lock	1	
P8		16' CHAIN04P Plain Design	1	
P9		DL 5" Loop	1	
P10		W0.66"xL4.26" Top SQ Frame	1	
P11		W0.66"xL20" Square pipe	4	
P12		W15"xL2.26" Bottom SQ Frame	1	
P13		Loop	1	
P14		Hook	1	
P15		L14.26" Both end threaded pipe	1	
P16		D0.67"xL4.18" Candle cover	4	
P17		E12 Socket	4	
P18		D2" Lamp holder	4	
P19		L4.18" Arm	4	
P20		D2.48" Wire Box	1	
P21		D2.36" Metal Wire Box	1	
P22		Cap nut	1	
P23		Washer	1	