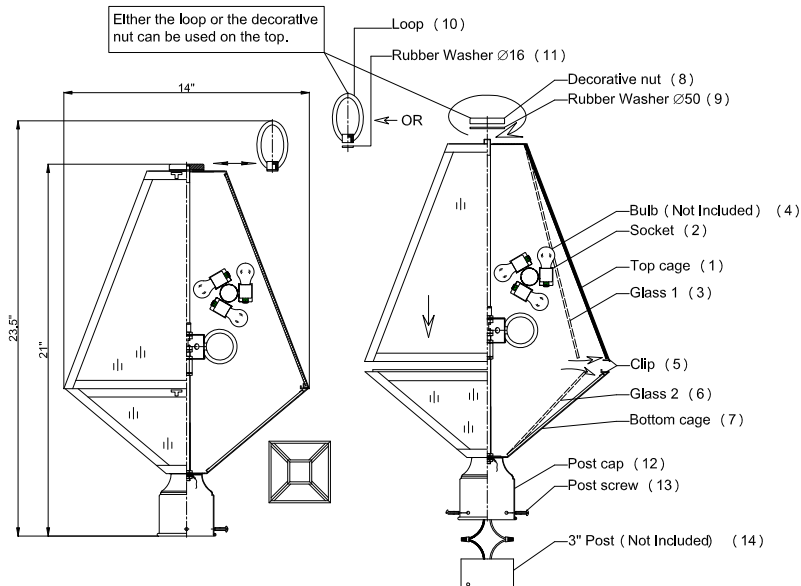


CRYSTORAMA

95 Cantiague Rock Road , Westbury, NY 11590 • toll free: 1.800.888.4470 fax: 516.931 .1254 • info@crystorama.com • www.crystorama.com

MODEL#: GLA-9709-BC ASSEMBLY INSTRUCTIONS



All electrical components must be installed by a licensed electrician in accordance with the National Electric Code and the appropriate local electrical codes.



You will need 3 – Med. Bulb

40 Watts Recommended

60 Watts Max

USE LED BULBS FOR EXTENDED USE

California T24 JA8-2016 Qualified: Satco

(S9612); 10.5 watt LED Medium Base

recommended. Bulb not included

Assembly:

- To install glass panels, separate the Bottom Cage (7) and the Top Cage (1), by removing the Decorative Nut (8) And Rubber washer(9).
- Bend glass Clip (5) and slide Glass #1(3) into the Top Cage (1) and Glass # 2(6) into the Bottom Cage (7).
- Bend glass Clip (5) to secure Glass # 1(3) and Glass # 2(6)
- Install the bulb (4) to the socket (2).
- Connect the Bottom Cage (7) and the Top Cage (1), by screwing in Decorative Nut (8) to secure cage.
- The Fitter(12) can now be mounted to the Post(14) by screws(13) .
- To replace the top finial. Screw off the Decorative Nut(8),take down Rubber Washer(9).Bring the Loop(10) and Rubber Washer(11) From the parts bag .Screw Rubber Washer(11),the Loop(10).

Replacement Glass installation:

- Follow instructions # 1 through # 3 above to install new glass. Complete by connecting the Bottom Cage (7) and the Top Cage (1) by screwing in Decorative Nut (8) to secure cage.

Bulb replacement:

- Separate the Bottom Cage (7) and the Top Cage (1), by removing Decorative Nut (8).
- Install the bulb (4) into the socket
- Complete by connecting the Bottom Cage (7) and the Top Cage (1) by screwing in Decorative Nut (8) to secure cage.

2017-09-20