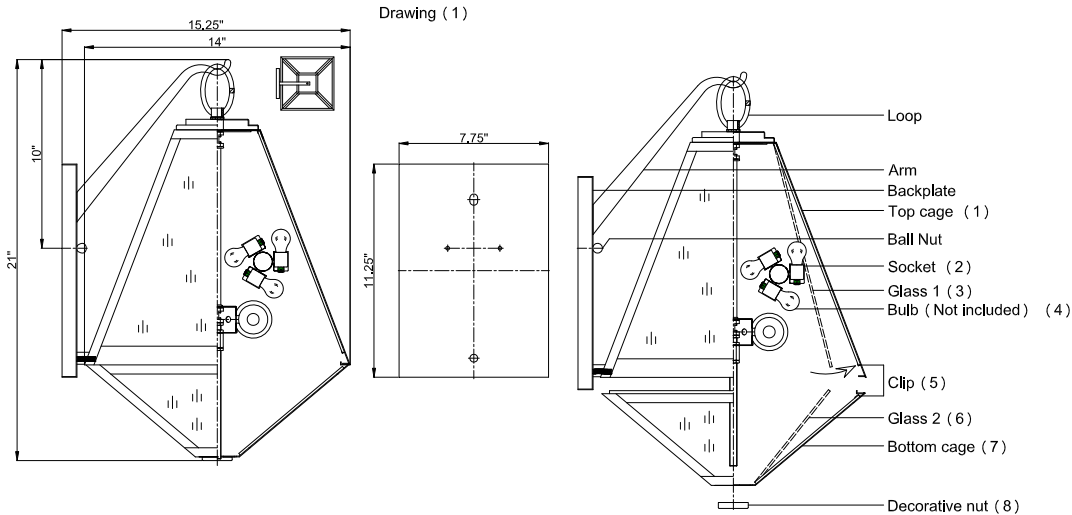


# CRYSTORAMA

95 Cantiague Rock Road , Westbury, NY 11590 • toll free: 1.800.888.4470 fax: 516.931 .1254 • info@crystorama.com • www.crystorama.com

## MODEL#: GLA-9702-BC ASSEMBLY INSTRUCTIONS



All electrical components must be installed by a licensed electrician in accordance with the National Electric Code and the appropriate local electrical codes.



You will need 3 – Med.Bulb

40 Watts Recommended

60 Watts Max

**USE LED BULBS FOR EXTENDED USE**

California T24 JA8-2016 Qualified: Satco

(S9612); 10.5 watt LED Medium Base

recommended. Bulb not included

### Assembly:

1. To install glass panels, separate the Bottom Cage (7) and the Top Cage (1), by removing the Decorative Nut (8).
2. Bend glass Clip (5) and slide Glass #1(3) into the Top Cage (1) and Glass # 2(6) into the Bottom Cage (7).
3. Bend glass Clip (5) to secure Glass # 1(3) and Glass # 2(6)
4. Install the bulb (4) to the socket (2).
5. Connect the Bottom Cage (7) and the Top Cage (1), by screwing in Decorative Nut (8) to secure cage.
6. The backplate of the fixture can now be mounted to the wall by following instruction **Drawing 2**.

### Replacement Glass installation:

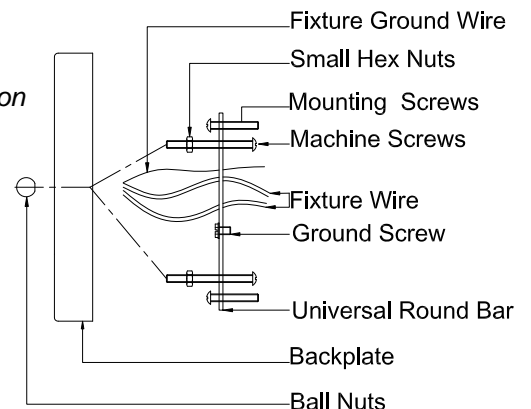
- 1 .Follow instructions # 1 through # 3 above to install new glass. Complete by connecting the Bottom Cage (7) and the Top Cage (1) by screwing in Decorative Nut (8) to secure cage.

### Bulb replacement:

1. Separate the Bottom Cage (7) and the Top Cage (1), by removing Decorative Nut (8).
2. Install the bulb (4) into the socket
3. Complete by connecting the Bottom Cage (7) and the Top Cage (1) by screwing in Decorative Nut (8) to secure cage.

*After securing fixture to the wall it is recommended that the gap between the wall and the backplate be sealed on the top and both sides, with a good quality waterproof caulk or silicone sealant (NOT INCLUDED)*

### Drawing (2 )



2017-09-20