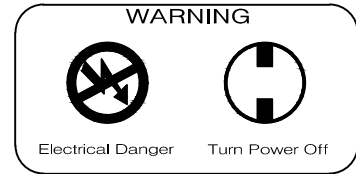
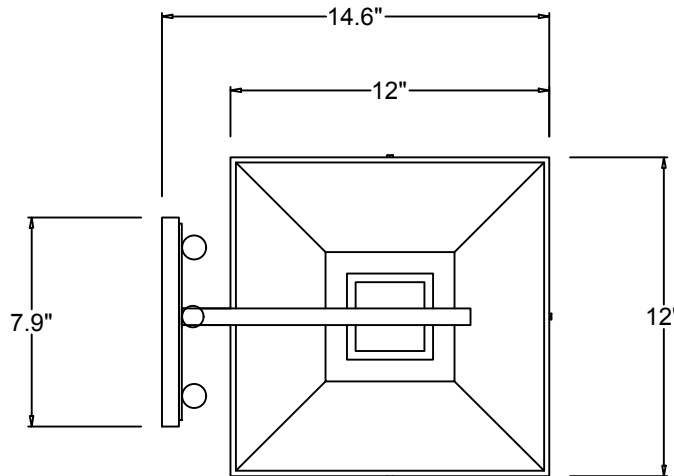


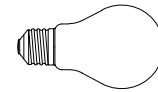
CRYSTORAMA

LIGHTING THE WAY FOR SIXTY YEARS

ASSEMBLY INSTRUCTION MODEL #DUM-9803-GE



All electrical components must be installed by a licensed electrician in accordance with the National Electric Code and the appropriate local electrical codes.



You will need 3-Medium Bulb
40 Watts Recommended 60 Watts Max
Bulb not included
USE LED BULBS FOR EXTENDED USE
This fixture is WET rated

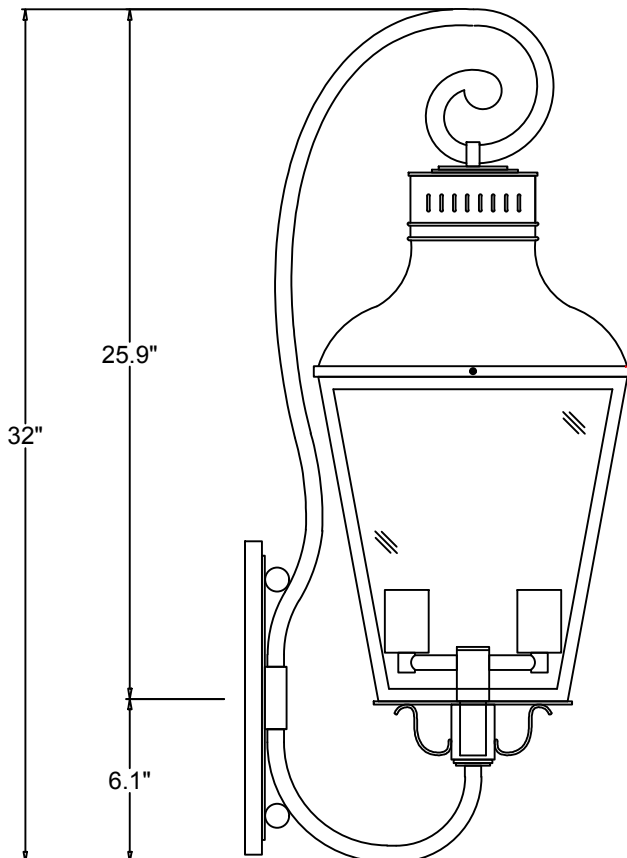
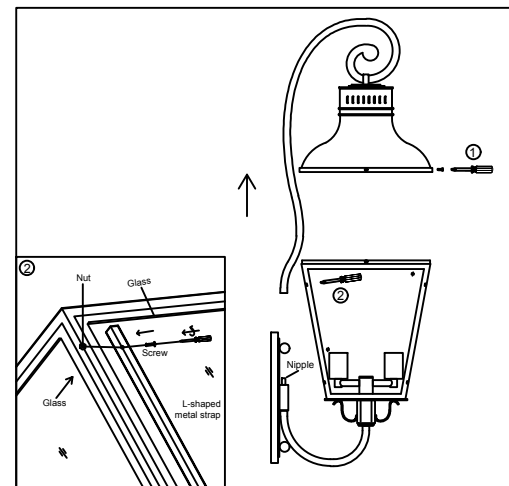
How to Install

1. Place the mounting plate over the outlet box and mark the 4 points on the wall surface at the center of 4 holes on the mounting plate.
2. Drill 4 holes at the marked points and insert the wall anchors.
3. Attach the mounting plate over the outlet box using two outlet box screws. Insert the anchor screws into the wall anchors to tighten it.
4. Remove the screws on the top of the cage and Pull the top scroll arm out of the nipple to remove the top cage.
5. Install the bulb onto the socket and put the top cage back.

How to change glass

1. Remove the screws on the top of the cage and Pull the top scroll arm out of the nipple to remove the top cage.
2. Remove the L-shaped metal strap by unscrewing the screws.
3. Smooth out the silicone glue along the glass channel, prior to placing in the new glass panel.
4. Put the new glass panel on and secure it with the L-shaped metal strap and screws.

Sketch Map



WARNING: This product can expose you to Lead, which is known to the State of California to cause cancer and/or birth defects or reproductive harm. For more information go to www.P65Warnings.ca.gov

CRYSTORAMA

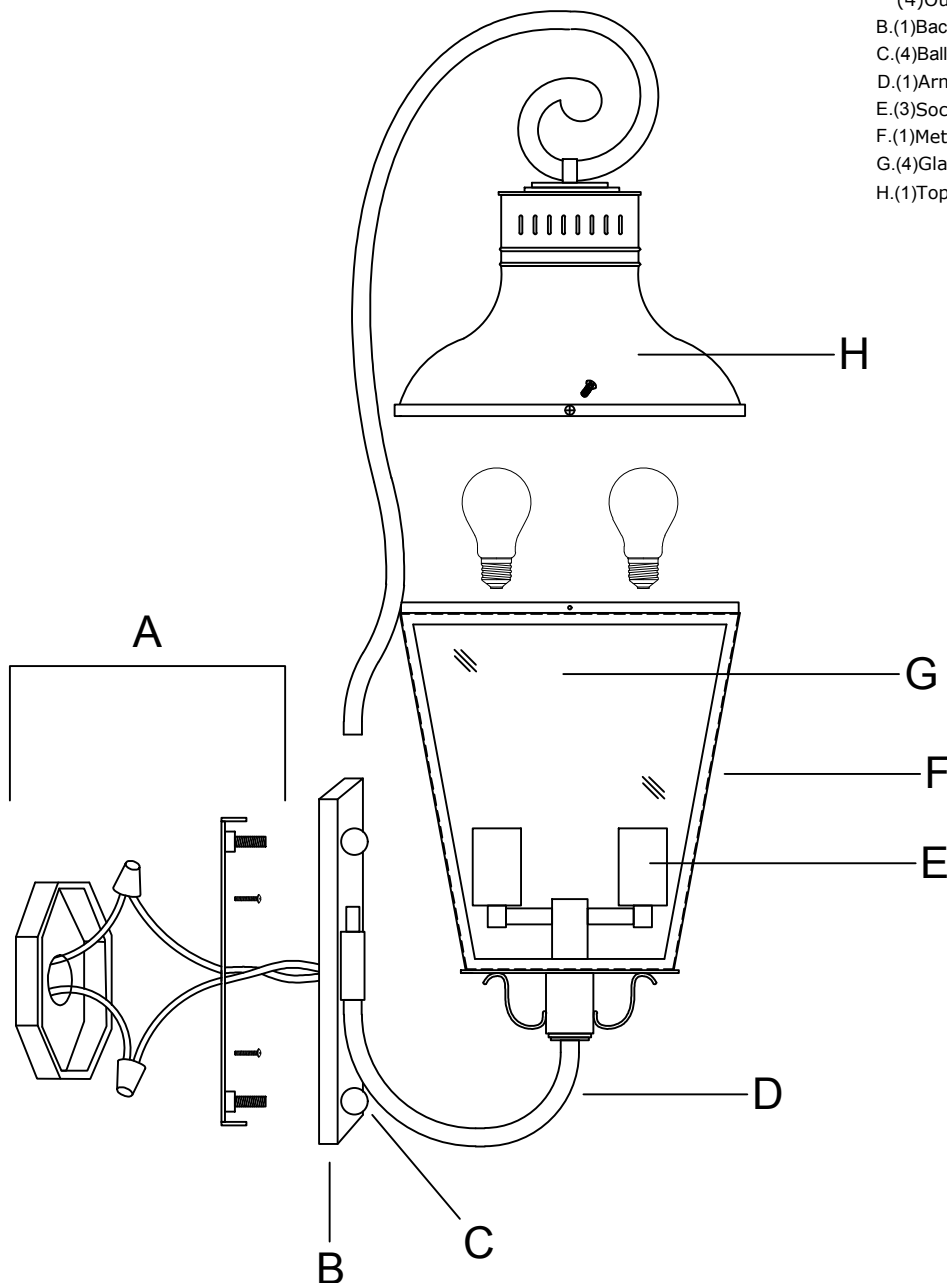
LIGHTING THE WAY FOR SIXTY YEARS

PART NUMBER MODEL #DUM-9803-GE

Part Number

Part Numbers

- A. Mounting Hardware
 - (3) Wire Nut
 - (1) Mounting Plate
 - (1) Green Ground Screw
 - (4) Outlet box screw
- B. (1) Back plate; Ø11.8"x7.9"x0.7h; XMO9803GEBKP11.8IN
- C. (4) Ball nut; XMO9801GEBANUT
- D. (1) Arm
- E. (3) Socket
- F. (1) Metal frame
- G. (4) Glass; XMO9803GEGLA12IN
- H. (1) Top cage



G-Glass Size

