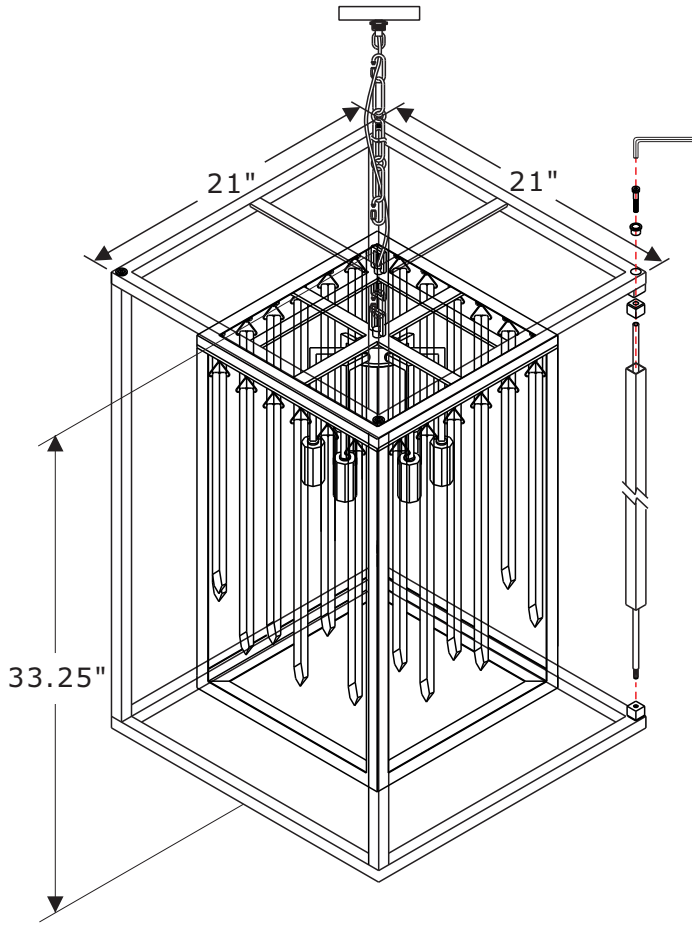


# CRYSTORAMA

LIGHTING THE WAY FOR SIXTY YEARS

## ASSEMBLY INSTRUCTION MODEL #8409-FB

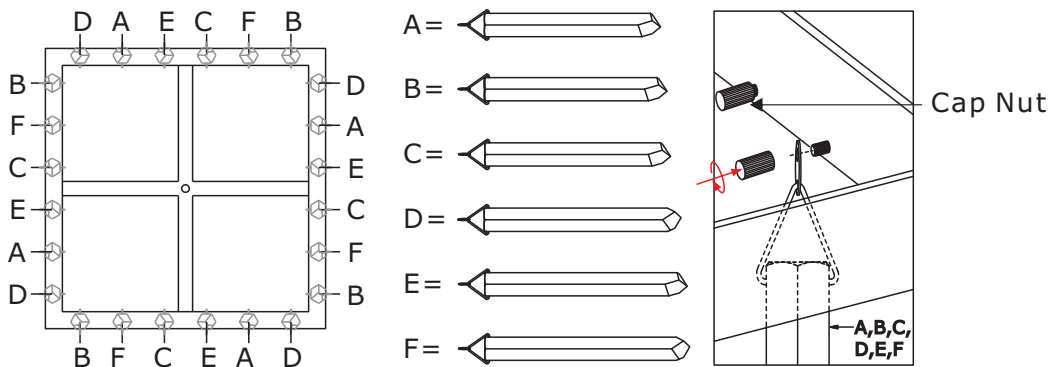


All electrical components must be installed by a licensed electrician in accordance with the National Electric Code and the appropriate local electrical codes.



You will need 6-Candelabra Base Bulb  
40 Watts Recommended 60 Watts Max.  
USE LED BULBS FOR EXTENDED USE

### DETAILED ILLUSTRATION



SUGGESTED DRESSING TOP VIEW

### How to install

1. Install the outer frame: Attach 4 support stems onto the lower frame, then attach square tube, square lathe part, upper frame, grooved lathe part, allen bolt in that order, onto the support stems and tighten with allen wrench.
2. Attach the inner frame onto the outer frame by the quick link.
3. Insert recommended bulbs (not included).
4. Dress the crystal drops as illustrated.

### Crystal Sets

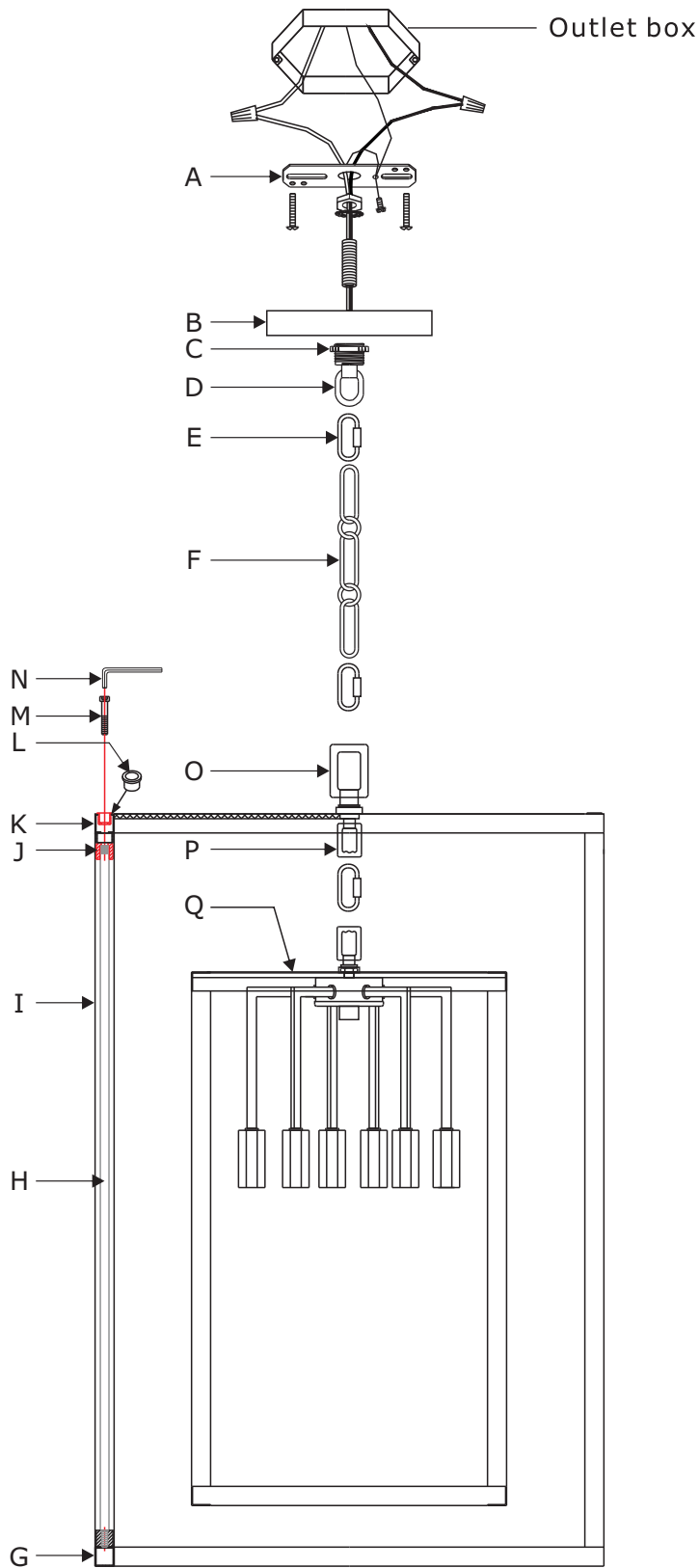
A. 4 Pieces	319mm	D. 4 Pieces	404mm
B. 4 Pieces	350mm	E. 4 Pieces	423mm
C. 4 Pieces	382mm	F. 4 Pieces	434mm

**WARNING:** This product can expose you to Lead, which is known to the State of California to cause cancer and/or birth defects or reproductive harm. For more information go to [www.P65Warnings.ca.gov](http://www.P65Warnings.ca.gov).

# CRYSTORAMA

LIGHTING THE WAY FOR SIXTY YEARS

PART NUMBER MODEL #8409-FB



## Part Number

- A. (1) - Mounting Hardware
- B. (1) - Canopy(W4.72",H0.79") #XRE8404FBCAN4.72IN
- C. (1) - Collar Ring
- D. (1) - Collar Loop
- E. (3) - Quick Link
- F. (1) - Hanging Chain(72",5mm) #XRE8407FBCHA5MM
- G. (1) - Lower Frame
- H. (4) - Support Stem
- I. (4) - Square tube
- J. (4) - Square Lathe Part
- K. (1) - Upper Frame
- L. (4) - Grooved Lathe Part
- M. (4) - Allen Bolt
- N. (1) - Allen Wrench
- O. (1) - Fixture Loop1
- P. (2) - Fixture Loop2
- Q. (1) - Inner Frame