

# CRYSTORAMA

1958

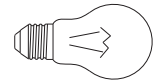
95 Cantiague Rock Road, Westbury NY 11590  
 Ph: 516.931.9090 Fax: 516.931.1254  
[info@crystorama.com](mailto:info@crystorama.com) [www.crystorama.com](http://www.crystorama.com)

## MODEL#: 6103-GA ASSEMBLY AND DRESSING INSTRUCTIONS

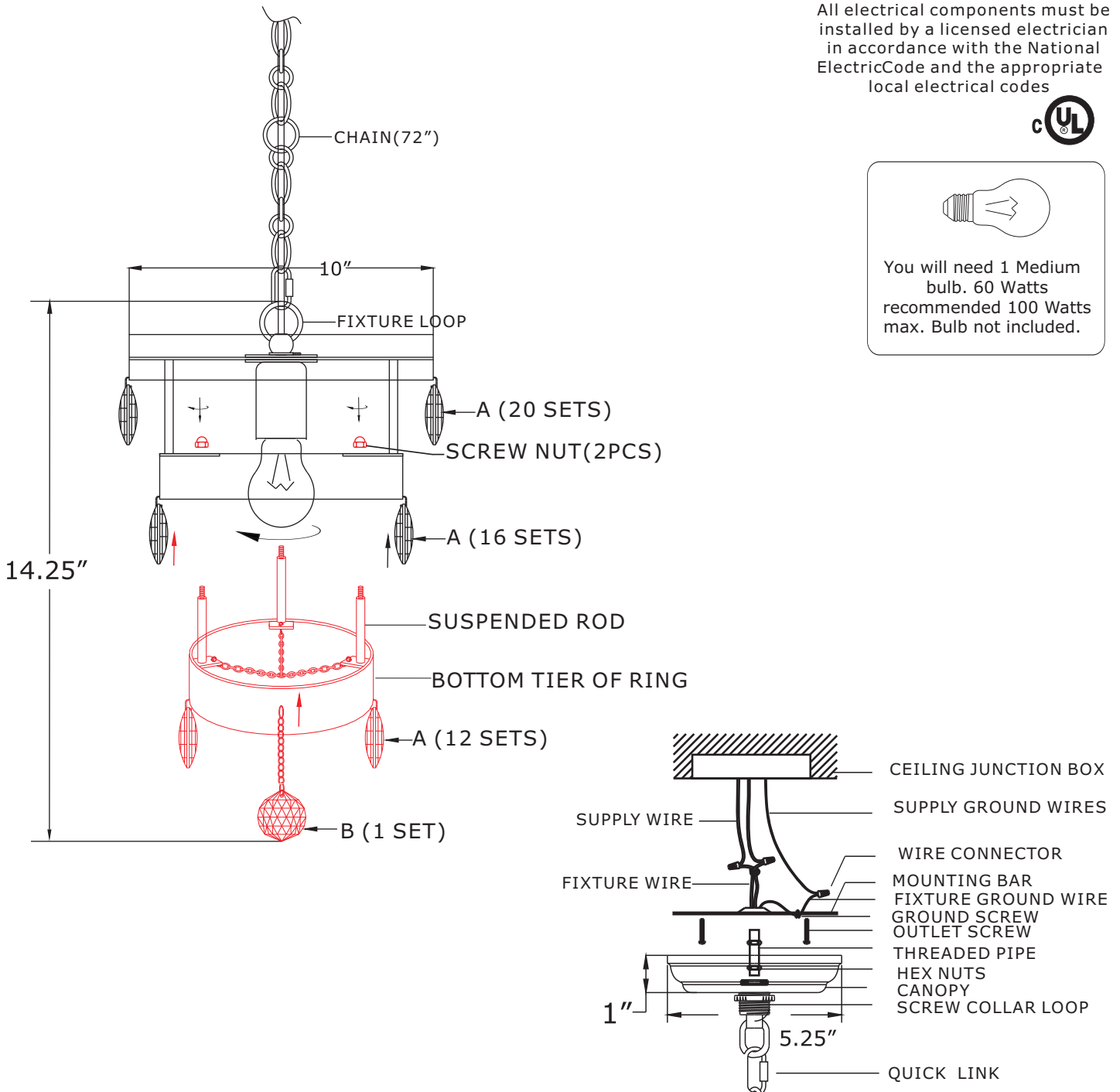



**WARNING**  
 Electrical Danger Turn Power off

All electrical components must be installed by a licensed electrician in accordance with the National ElectricCode and the appropriate local electrical codes



You will need 1 Medium bulb. 60 Watts recommended 100 Watts max. Bulb not included.



A=  (CUT CRYSTAL 2") x 48 SETS (+) (1 SPARE)

B=  (2" CHAIN + CUT CRYSTAL BALL 1.5") x 1SET