

CRYSTORAMA

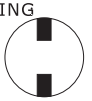
1958

95 Cantiague Rock Road, Westbury NY 11590
 Ph: 516.931.9090 Fax: 516.931.1254
info@crystorama.com www.crystorama.com

MODEL# :6006-SA ASSEMBLY AND DRESSING INSTRUCTIONS

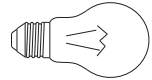


WARNING

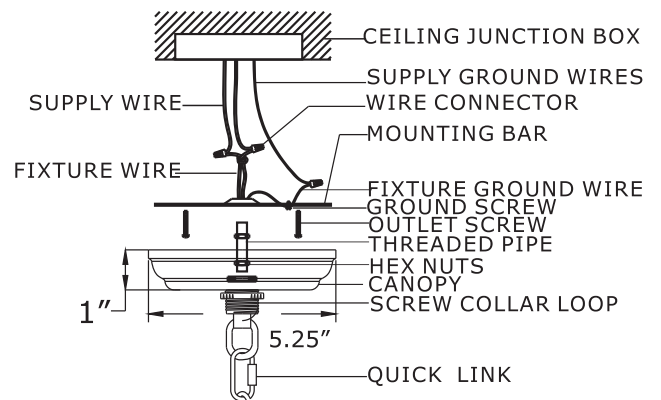
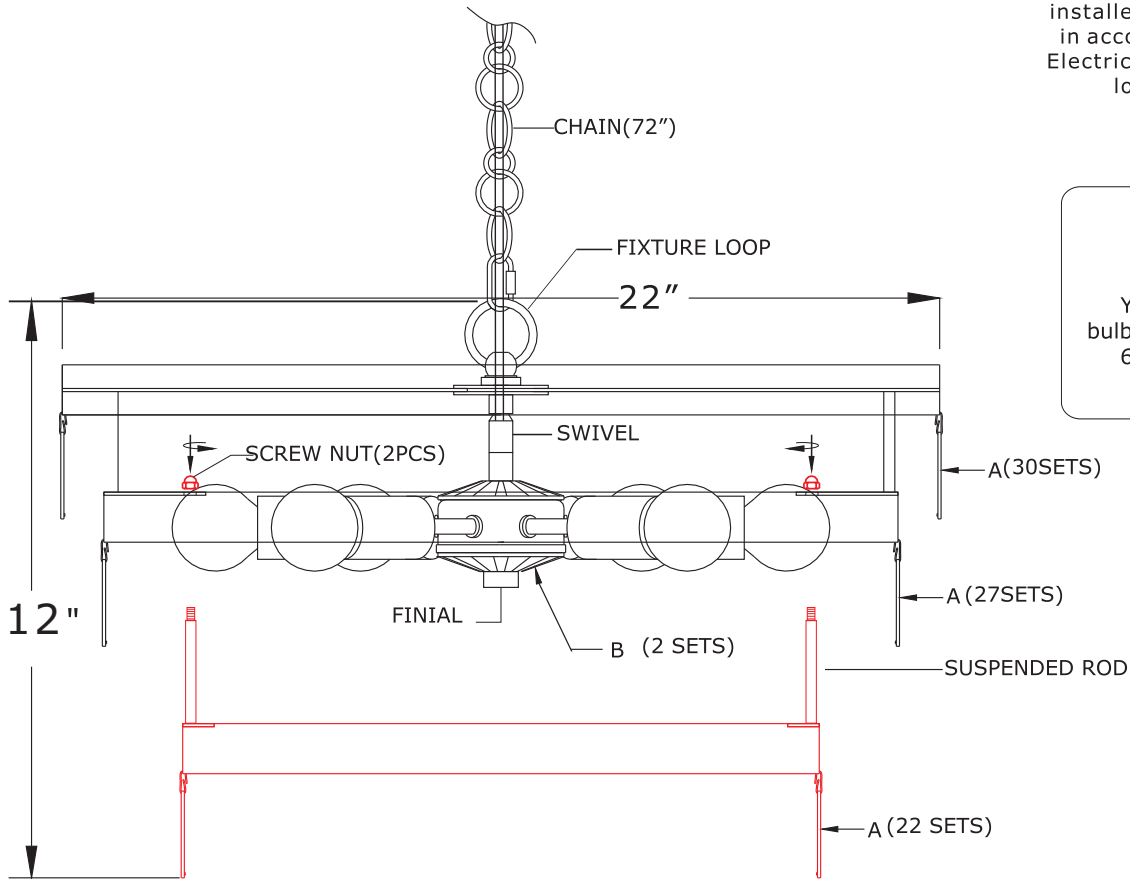


Electrical Danger Turn Power off

All electrical components must be installed by a licensed electrician in accordance with the National Electric Code and the appropriate local electrical codes



You will need 6 Medium bulbs, 40 Watts recommended 60 Watts max. Bulb not included.



A = (APIZ SHELL 2") x 79 SETS (+) (4 SPARES)

B = (CRYSTAL DISH 3") x 2 SETS