

CRYST RAMA



1958

95 Cantiague Rock Road, Westbury NY 11590

ph:516.931.9090 fax: 516. 931.1254

info@crystorama.com www.crystorama.com

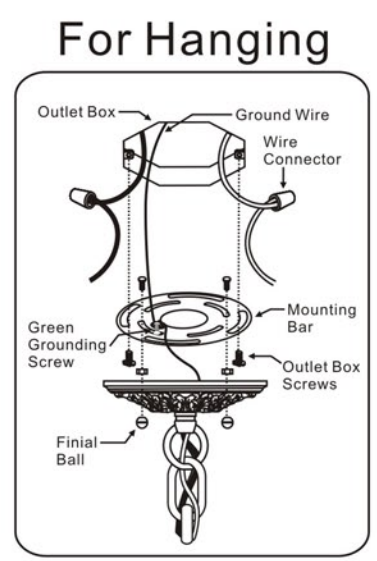
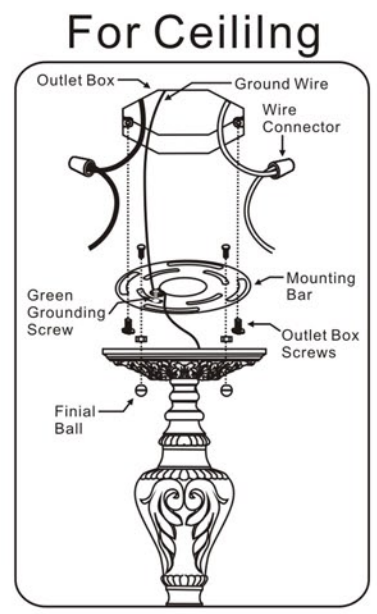
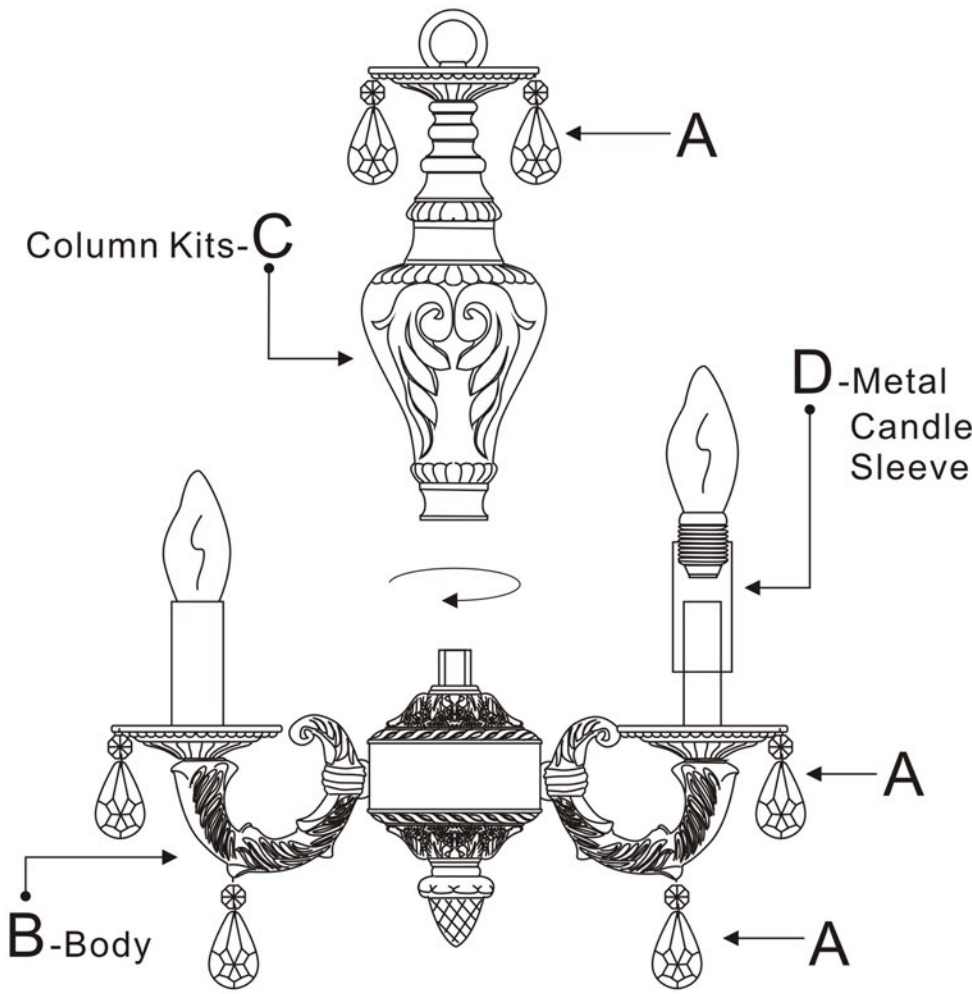
MODEL#:5024

ASSEMBLY AND DRESSING INSTRUCTIONS

WARNING:

Electrical Danger Turn Power Off

All electrical components must be installed by a licensed electrician in accordance with the National Electric Code and the appropriate local electrical codes.



You will need 4 - Cand. Bulb
40 Watts Recommended
60 Watts Max
Bulb not included.

ASSEMBLY STEPS:

- 1) **C** → **B**
- 2) **D** → **B**
- 3) **A** → **B.C**

A= (14mm+38mm) x 24sets