

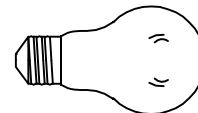
CRYSTORAMA

LIGHTING THE WAY FOR SIXTY YEARS

ASSEMBLY INSTRUCTION MODEL #5010-EB-CL-MWP



All electrical components must be installed by a licensed electrician in accordance with the National Electric Code and the appropriate local electrical codes.



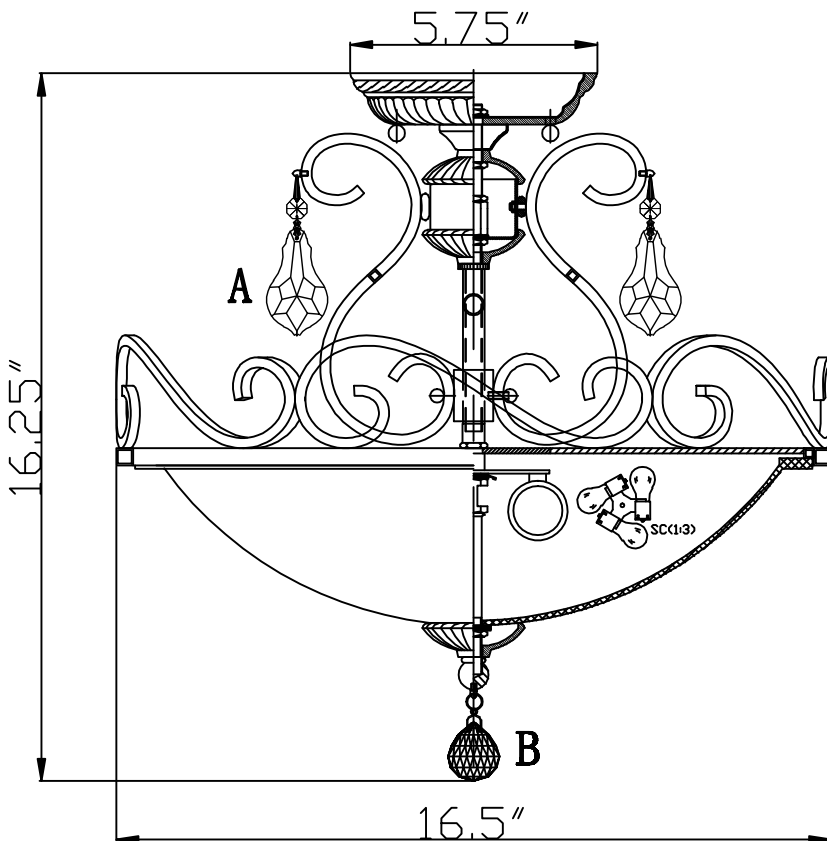
You will need 3 - Med. Bulb

40 Watts Recommended

60 Watts Max

USE LED BULBS FOR EXTENDED USE

This fixture is Dry rated



How to Install

1. Screw the arm kit onto the frame and install the bulb.
2. Install the semi-assembly onto the outlet box and connect the wires.
3. Screw the threaded pipe onto the frame.
4. Raise the glass up and pass it through the threaded pipe. Secure it with rubber washer and hex nut.
5. Put the bottom finial on and dress the crystals.

Crystal sets

- A. 6 pieces. (1)14mm+(1)63mm.
- B. 1 piece. (1)30mm.

A= (14mm+63mm)*6sets

B= (30mm Ball)*1pc



WARNING: This product can expose you to Lead, which is known to the State of California to cause cancer and/or birth defects or reproductive harm. For more information go to www.P65Warnings.ca.gov

CRYSTORAMA

LIGHTING THE WAY FOR SIXTY YEARS

PART NUMBER MODEL #5010-EB-CL-MWP

Part Number

Part Numbers

- A. (1)—Mounting hardware
- B. (1)—Canopy; W5.75"XH1.25"; XSU5010EBCAN5.75IN
- C. (2)—Ball nut; XSU5010EBBANUT
- D. (1)—Arm kit
- E. (1)—Frame
- F. (1)—Glass; W15.75"XH3.75"; XSU5010EBGLA15.75IN
- G. (1)—Threaded pipe
- H. (1)—Rubber washer
- I. (1)—Hex nut
- J. (1)—Bottom cap; XSU5010EBBOTCAP
- K. (1)—Finial; XSU5010EBFIN

