

CRYST RAMA



1958

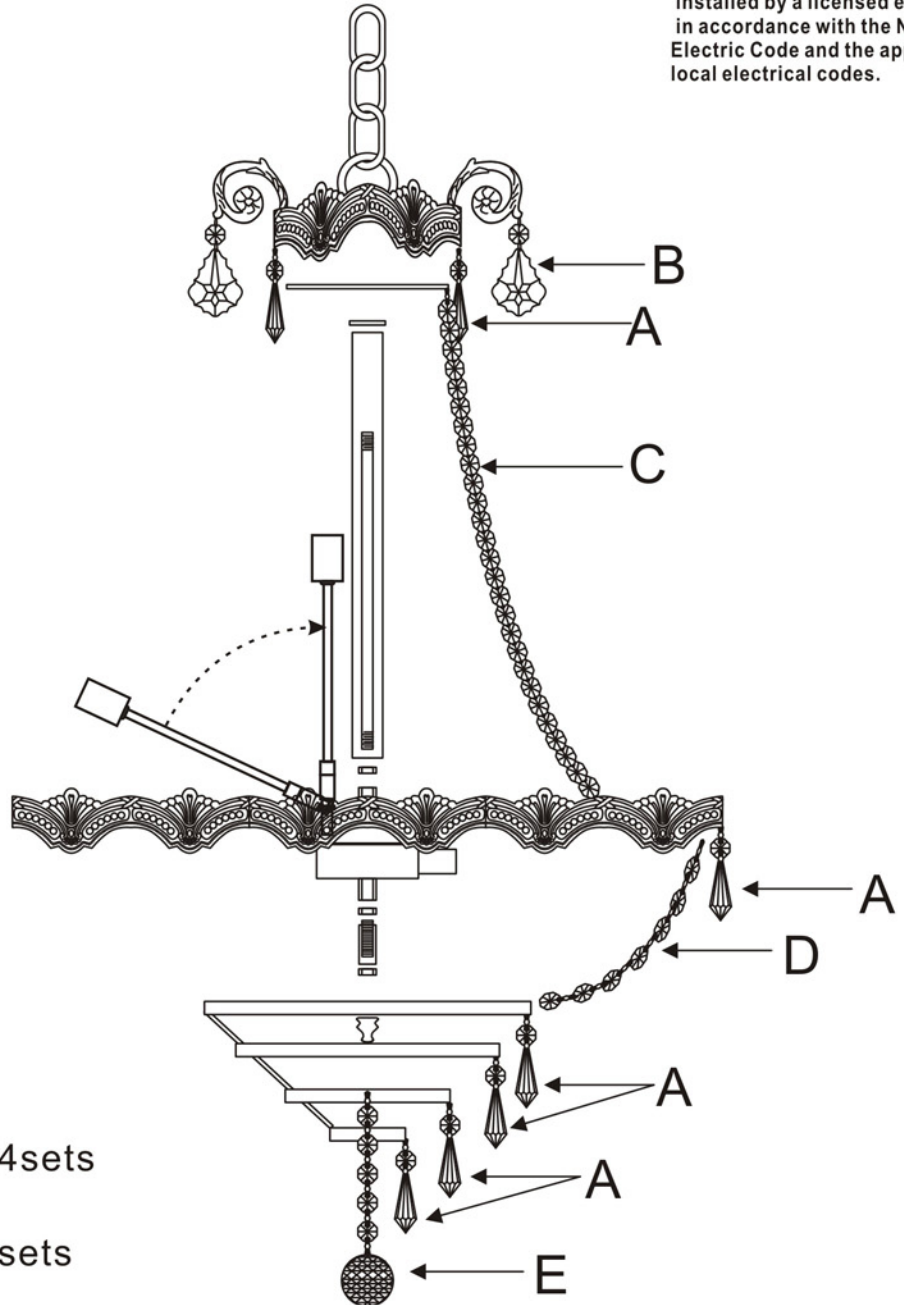
95 Cantiague Rock Road, Westbury NY 11590
 ph:516.931.9090 fax: 516. 931.1254
 info@crystorama.com www.crystorama.com





MODEL#:1487 ASSEMBLY AND DRESSING INSTRUCTIONS




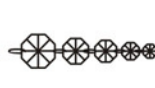
WARNING:
 All electrical components must be installed by a licensed electrician in accordance with the National Electric Code and the appropriate local electrical codes.



A=  (14mm+38mm)X244sets

B=  (14mm+76mm)X5sets

C=  (14mmX27)X25sets

D=  (28mm+26mm+24mm+20mm+18mm+16mm)X50sets

E=  (14mmX5+40mm)X1pc

