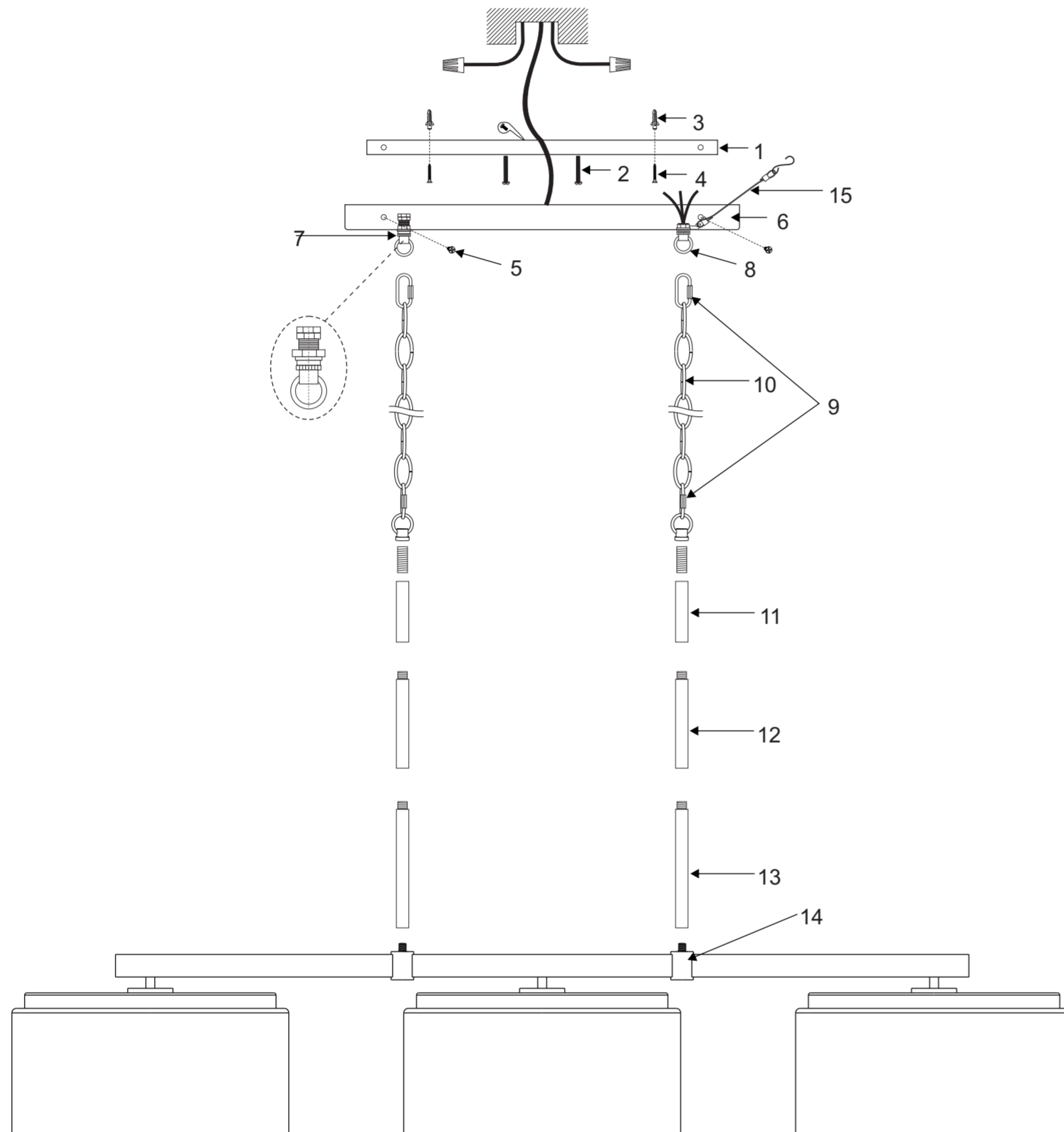


ASSEMBLY AND INSTALLATION INSTRUCTIONS for the 850931 Fixture

Important Safety information (Please read before proceeding)

1. Remove the fixture, parts and all mounting hardware bags (marked with red tape) from the carton and verify that all parts are present according to the illustration sheet. All parts must be used as indicated. Do not replace any parts, leave any parts out, or use any parts which are worn out or broken. **Failure to follow the instructions could cause a hazardous situation, voids the warranty and violates the U.L. listing of the fixture.**
2. To prevent an electric shock, turn off the main power at the circuit breaker before installing the fixture. **NEVER attempt to install, clean or replace bulbs without shutting off the electricity to the fixture.**
3. **Never use light bulbs with wattage ratings that exceed the fixtures maximum rating.** Always make sure the electric current is turned off before changing the bulbs.
4. If you experience difficulties installing the lighting fixture or it fails to work as expected, please contact a local qualified licensed electrical contractor.
5. Please contact your local Capital Lighting Fixture reseller with any assembly or installation questions. Your local reseller can also provide you with replacement parts for your new fixture.



Components

1. Mounting Bar w/Green Screw
2. Outlet Box Mounting Screws
3. Plastic Anchor
4. Wood Screws
5. Mounting Screws
6. Canopy
7. Turn Buckle
8. Loop
9. Chain Links
10. Chain
11. 6" Rod
12. 12" Rod
13. 18" Rod
14. Fixture
15. Safety Cable W/Hook

Assembly Instructions for the 850931 fixture

1. Pass Lead wire from fixture (14) through unassembled Rod (13) Rod (12) and Rod (11), then screw all together at both side.
Note The fixture height can be adjusted by varying the number of Rods or chain used in the assembly.
2. Pass lead wire through chain (10) loop (8) another chain link (9) from canopy (6) finally connect all of them together that repeat the same assembly steps for another without wiring.
3. Find appropriate threaded holes on Mounting bar (1), and assemble mounting screw (5) into threaded holes with Hex nuts (8).
4. Attach mounting bar (1) to outlet Box with Outlet Box mounting Screws (2).
5. Raise whole Fixture Canopy (14) toward outlet Box, then hang it onto Mounting Bracket (1) with Safety Cable w/Hook (15) as the illustration shown.
Note: this will allow for Fixture to be supported while wire connection are made.
6. Connect fixture ground wire to the outlet box ground wire with wire connector supplied, connect the common wire of the lamp cord to the Power supply with the wire with wire connector supplied, connect supply wire of the lamp cord to the power supply black wire with wire connector supplied. *Note: this Fixture is wired using 2 conductor lamp cord. The insulation between the two conductor one of the lamp cord can be split down the center for better access to the two conductor. the common wire of the lamp cord is identified as the conductor with ribs embossed in the rubber wire insulation.*
7. Push fixture to ceiling then verify all wire are securely inside Canopy (6) Finally secure Canopy (6) in place by tightening Mounting screws (5) on to Mounting Plate (1).
8. Screw on the light bulb and fixture is ready to use.

Note: if the fixture is not leveled after hang. Please adjust (Screw) the turn Buckle (7) up to help it.