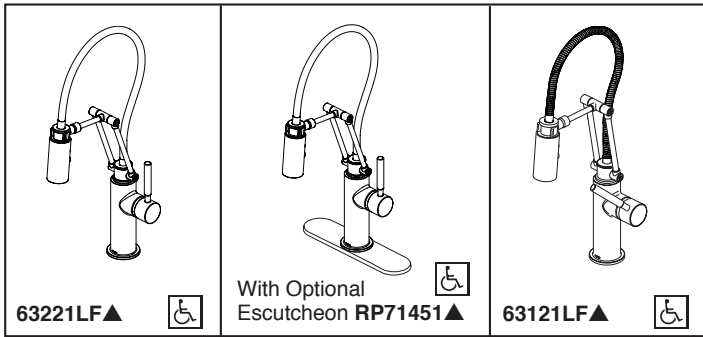


# BRIZO®

## KITCHEN FAUCETS

- Solna® Collection
- Single Handle Articulating Deck Mount



63221LF▲



With Optional  
Escutcheon RP71451▲

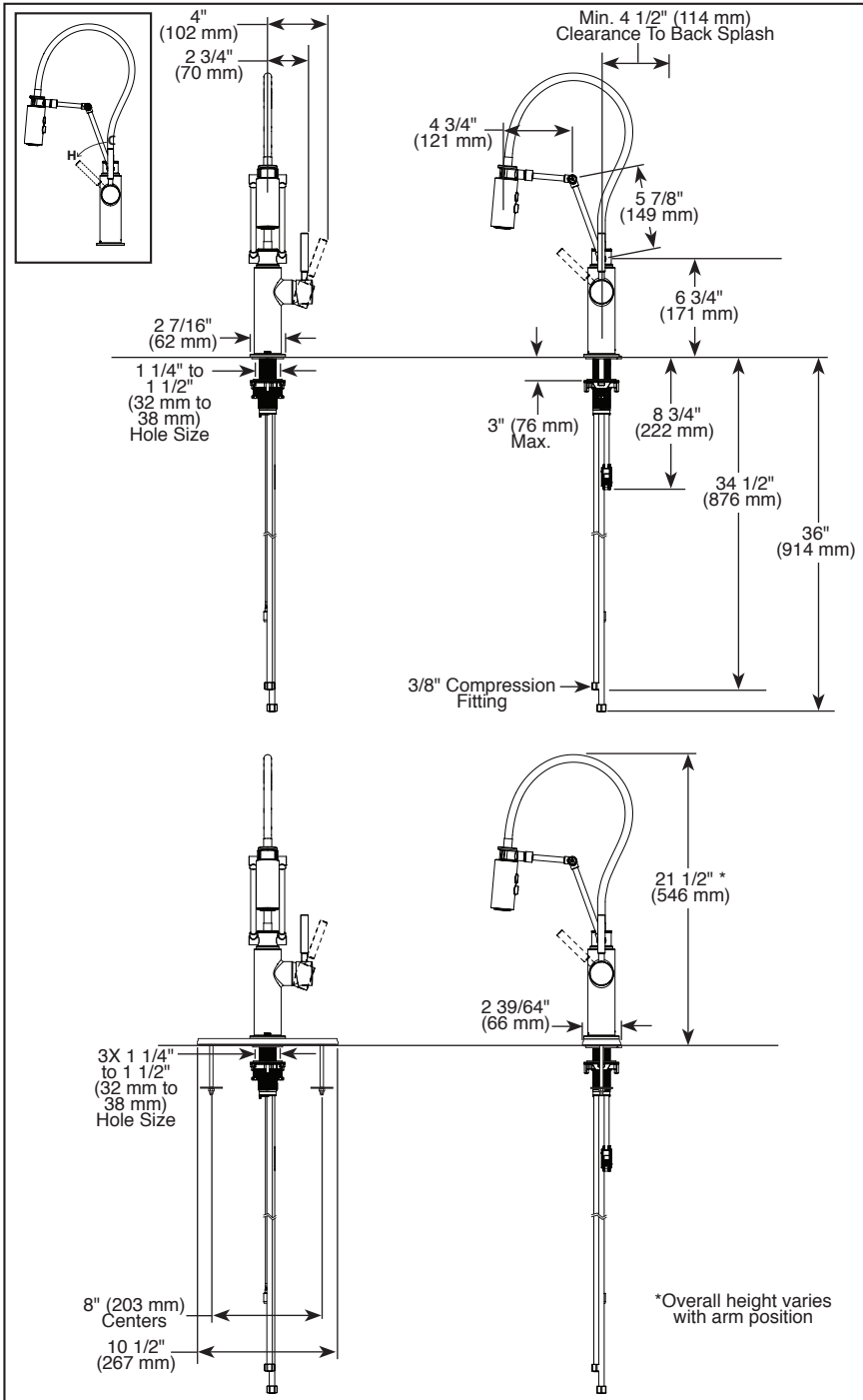


63121LF▲



Submitted Model No.: \_\_\_\_\_

Specific Features: \_\_\_\_\_



### FEATURES:

- MagneDock® Magnetic Docking

### STANDARD SPECIFICATIONS:

- Maximum 1.8 gpm @ 60 psi, 6.8 L/min @ 414 kPa
- One or three hole mount (escutcheon optional)
- Diamond coated ceramic cartridge
- 3/8" O.D. straight, staggered pex supply lines
- Arm rotates 360°
- Two-function wand: aerated stream or spray
- Dual integral check valves in sprayer
- Quick Snap® connect hoses
- 23" (584 mm) above-deck exposed hose

**Note: Exterior arm screws are decorative and will NOT need to be tightened during the lifetime of the faucet. Turning or removing screws may hinder arm functionality and will void the faucet warranty.**

### WARRANTY

- Lifetime limited warranty on parts (other than electronic parts and batteries) and finishes: or, for commercial users, for 5 years from date of purchase.
- 5 year limited warranty on electronic parts (other than batteries); or, for commercial users, for 1 year from the date of purchase. No warranty is provided on batteries.

### COMPLIES WITH:

- ASME A112.18.1 / CSA B125.1
- ASME A112.18.6
- Indicates compliance to ICC/ANSI A117.1
- Verified compliant with .25% weighted average Pb content regulations.

▲ Designate proper finish suffix

Brizo Kitchen & Bath Company reserves the right (1) to make changes in specifications and materials, and (2) to change or discontinue models, both without notice or obligation. Dimensions are for reference only. See current full-line price book or [www.brizo.com](http://www.brizo.com) for finish options and product availability.

BSP-K-63221LF Rev. D

**Brizo Kitchen & Bath Company**

Indianapolis, Indiana 46280  
A Division of Masco Corporation of Indiana  
© 2018 Brizo Kitchen & Bath Company