

36" GRECIA DOUBLE BOWL FARMER SINK

Cat. No
FSCDB3570



W: 36"
D: 22"
H: 9-1/2"

***Please do NOT cut hole without template or actual product.**

Interior Dimensions:

Each Basin Interior: 17-3/4" x 15-7/8"
Basin depth: 9-1/8"

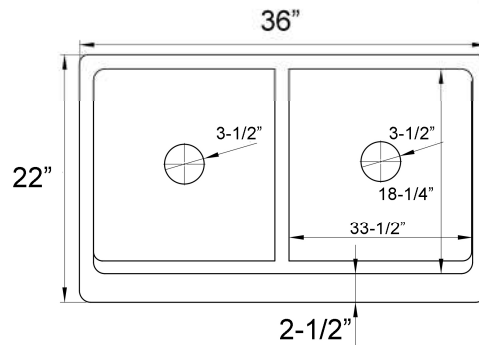
Features:

- ▶ Hammered sink
- ▶ Constructed of solid 16 gauge copper
- ▶ Sink bottom angled to drainage
- ▶ Front rim 2-1/2", back rim 1-1/2", side rims 1-3/8"
- ▶ Accommodates 3-1/2" drain
- ▶ Copper is a living finish and will patina over time
- ▶ IAPMO Certified



Finish:

AC Hammered Antique Copper



Dimensions of fixture are nominal and may vary within the range of tolerances established by ANSI Standard A112.19.2. Dimensions and specifications subject to change without notice.