

2603CTW – EVERYDAY TUB/SHOWERS

60 x 32 x 72 inches

SOAKER MODEL #2603CTW

WHIRLPOOL MODEL #2603CTWWP



AQUATIC ADVANTAGE

- National distribution
- 7 manufacturing facilities
- Private fleet
- Centralized customer service
- Field support

COLOR OPTIONS

Stock	Upgraded	Premium
White	Almond Biscuit/Linen Bone	Black Mexican Sand Sand Bar Sterling Silver

FEATURES

- Tub-shower
- Textured tile finish
- Ergonomic backrest
- Slip-resistant textured bottom
- Left or right hand drain
- AcrylX™ applied acrylic surface
- Lifetime limited warranty

Whirlpool Features:

- 4 directional hydrotherapy jets
- Available in White and Biscuit/Linen only
- Color matched trim
- Advanced safety suction system
- Pneumatic on/off control

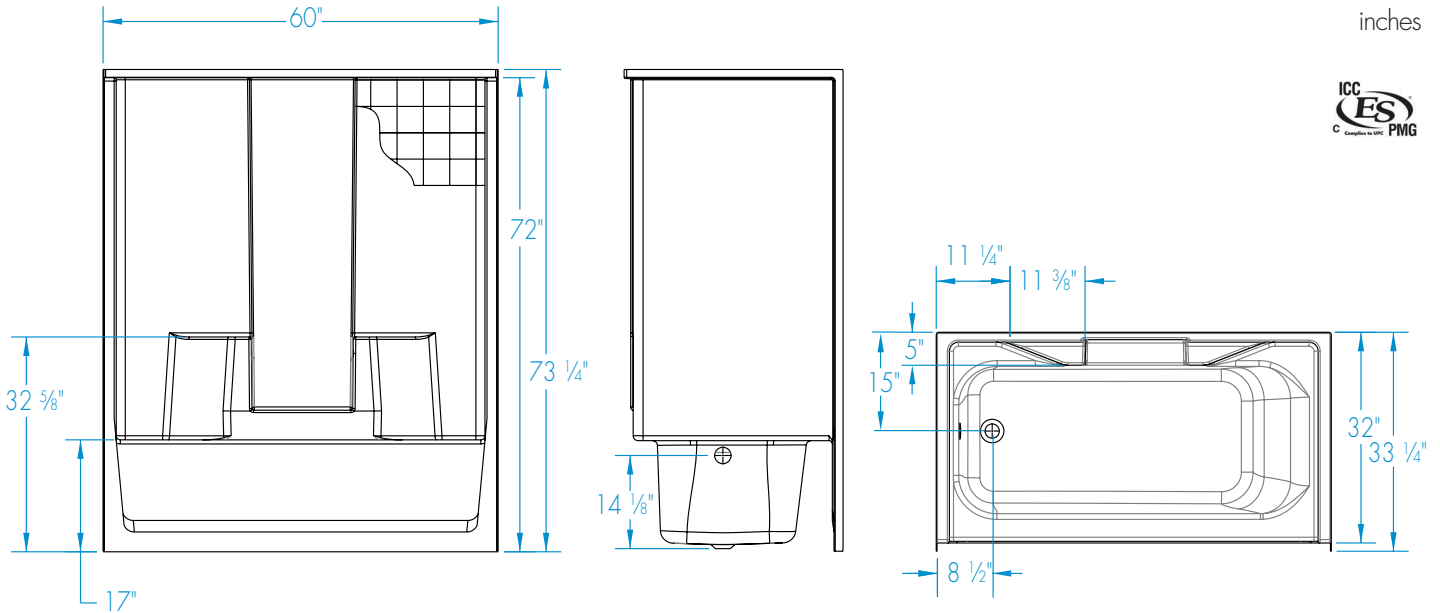
OPTIONS

- Removable access panel (whirlpool models)
- Grab bar reinforcement
- Factory installed assisted care grab bars
- Designer drain, waste & overflow
- Shower Door Series L0516



2603CTW

60 x 32 x 72
inches



FEATURES lbs Dimensional Tolerance $\pm 3/8"$. Dimensions needed for site preparation should be measured from the unit. Aquatic assumes no responsibility for preparatory work.

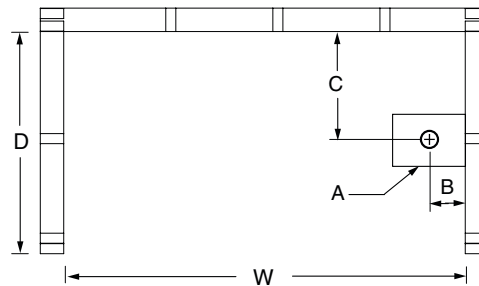
Model #	Material	Wall Finish	Jets	Motor	Controls	Drain	Net Wt.	Pkg. Wt.
Soaker #2603CTW	AcrylX™	Textured Tile	0	-	-	LH or RH	129	134
Whirlpool #2603CTWWP	AcrylX™	Textured Tile	4	63 GPM	Pneumatic	LH or RH	179	184

DIMENSIONS

Specifications	inches
Width: Overall / Net	60
Depth: Overall / Net	33 1/4 / 32
Height: Overall / Net	73 1/4 / 72
Enclosure Opening	56
Skirt Height	17
Drain Rough-In (from Back Wall)	15
Drain Rough-In (from Side Wall)	2 1/2
Drain: Diameter / Clearance	2 / 3/4

FRAMING DIMENSIONS inches

Type	D Depth	W Width	H Height	A	B	C
Alcove	33 1/4	60 1/8	-	Box Out	2 1/2	15



SUMP DATA

Top of Drain to Bottom of Overflow	Capacity to Overflow gal	Min. Operating Capacity gal	WIDTH @ centerline		DEPTH @ centerline	
			Top	Bottom	Top	Bottom
12 1/4	50	45	53	43 1/2	22 1/2	20 1/2