



LOCATION		DATE
PREPARED BY		QUANTITY
COMMENTS		FIXTURE TYPE
CATALOG NUMBER		

## Campton LED Outdoor Sconce CAMW Series

### Features

Aluminum housing with clear water glass diffuser. Ideal use in entrances or anywhere general lighting is needed. Provides lighting in residential, commercial and hospitality applications. Fixture mounts to standard junction box (not included).

### Construction

Back plate is die-formed of 22-gauge steel. Standard mounting holes and hardware are included. Power supply connections must be made inside a junction box (not included).

### Finish

Black powder coated finish.

### Diffuser

Clear water glass diffuser.

### Electrical

Input 120 VAC / 60 Hz.

### Lamping

1/60 watt (MAX) medium base bulb (included).

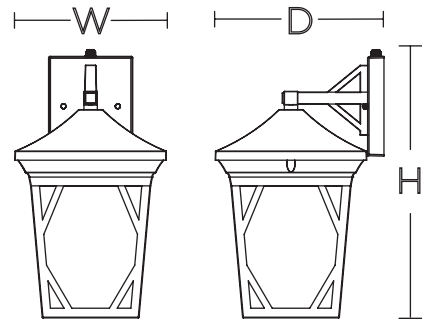
### Certification

cETLus listed for wet locations.

### Warranty

Limited warranty: This fixture is free from defects in materials and workmanship for a period of 5 years from date of purchase.

**Specifications and dimensions  
subject to change without notice.**



## Ordering Information:

Black	Qty.	Lamp	H	W	D
CAMW0814MBK	1	60W (MAX)*	13-3/4"	8"	8-3/4"

\*Sockets can be labeled for reduced wattage upon request.