

KNLU Series

Models KNLU9, KNLU14, KNLU22, KNLU32 & KNLU40

LED Under Cabinet Fixture Plug-in or Hard Wire, Linkable

Safety Precautions

Read all safety precautions and installation instructions carefully before installing or servicing this fixture. Failure to comply with these instructions could result in potentially fatal electric shock and/or property damage.

It is recommended that a qualified electrician perform all wiring. This fixture must be wired in accordance with all national and local electrical codes.

Do not handle an energized fixture or attempt to energize any fixture with wet hands or while standing on a wet or damp surface or in water.

Make sure that the power source conforms to the requirements of the fixture. (See labels on fixture housing).

To reduce the risk of electrical shock, and to assure proper operation, this fixture must be adequately grounded.

This fixture is designed for use only in a 110-120VAC, 60Hz fused circuit.

This fixture is to be used for general indoor lighting, and suitable for damp locations. Linkable total wattage is 500 Watts. Dimmers have wattage limits and they vary and need to be followed when using long runs of fixtures.

This fixture is dimmable in the high (II) setting only. The following dimmers are approved for use to achieve smooth dimming down to 10% of full scale:

Leviton – DZMX1	6674	
	6672	6681W
Lutron – DWCL 153PH	CT-603PG	TGCL-153PH
MACL 153MH	DVCL-153P	DVELV-300P
S-600P		

Assembly Instructions

1. Preparation for Installation

- Disconnect electrical power before installing or servicing any part of this fixture.
- Place fixture on a clean flat surface.
- Determine input power connection method (Cord, Hardwire or Link) and follow corresponding directions below.

2. Cord to Outlet Installation

(Skip this step if using Hardwire or Link-to-Fixture Installation)

- Fixture must be mounted within 5' of an outlet. Power cord NOT included (Sold Separately).
- Connect Cord to fixture by snapping the quick connect end of the cord to the corresponding connector in the end of the fixture marked "IN". The cord will only connect to the "IN" connector so make the right connector is identified. Do not force the connection, it should snap in easily.
- Follow the directions for Mounting below.
- Once Mounting is completed, plug the cord into the outlet.
- The unit can now be turned on with the Power switch (7a). By flipping the switch (7a) select between one of the 3 modes (Lo, Off, Hi). Switch (6a) is used to change the color temperature of light delivered 2700K, 3000K & 4000K CCT respectively.

3. Hardwire Installation Preparation (Figure 2)

(Skip this step if using Cord to Outlet or Link-to-Fixture Installation to Power Unit)

- Remove appropriate 3/8" diameter knockout for supply wiring entry and remove plug (1).
- Determine appropriate connector:
 - Cable connector is included.
 - Flexible conduit BX (AC) 3/8" trade size cable (not included).
 - Anti-short bushing (not included).
- Insert cable connector (3) into the housing open hole. Screwing it into the nut in the bracket (4).
- Determined the length of BX cable and add about 5" or an appropriate length for the stripping purposes. Cut the required length of the cable. Trim away the insulation. Push the exposed wires (hot, neutral and ground) through the anti-short bushing and slide this bushing all the way down to the exposed wires until it is snug up against the armor.
- Remove screw holding on back cover plate and remove cover (5) and discard.
- (See Hardware Installation Completion) for image (6)
- Snap bracket into main housing and tighten screw back in to hold into position.

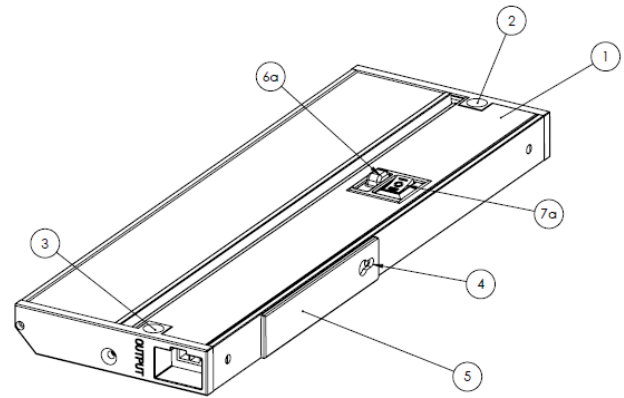


Figure 1

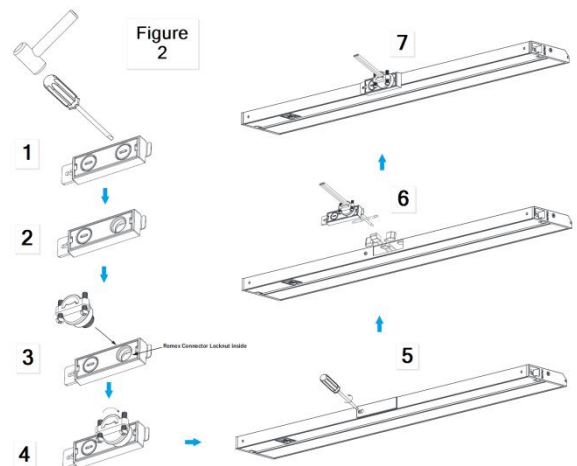


Figure 2

KNLU Series

Models KNLU9, KNLU14, KNLU22, KNLU32 & KNLU40

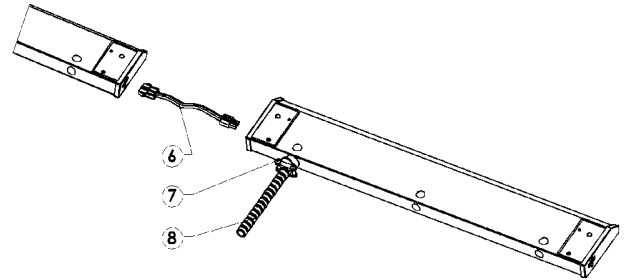
LED Under Cabinet Fixture
Plug-in or Hard Wire, Linkable

4. Link-to-Fixture Installation

(Skip this step if using Hardwire or Cord to Outlet Installation.)

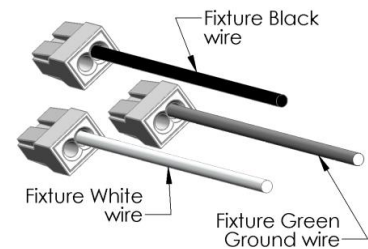
- A. First fixture in series can be Corded or Hardwired
- B. Second fixture must be located within 12" of first fixture.
- C. Make sure power is off on all fixtures. The fixture switch should not be engaged in either direction (7).
- D. Connect the Linking cord (6) to the "Out" connector of the first fixture and into the "In" connector of the second fixture.
(The connectors are keyed to only fit one way. Do not force the connections, they should snap in easily.)
- E. Follow directions in Mounting Section.
- F. Once mounting is completed, energize the first fixture. (Each fixture is controlled individually.)

Note: Injury to persons and damage to the mounting surface may result if the fixture or mounting hardware is pulled from the mounting location. To reduce the possibility of such injury, be sure to mount the fixture only on a surface that is mechanically, structurally sound.



5. Hardwire Installation Completion

- a. Pull 3 wires out of the fixture to allow connection to the branch circuit.
- b. Connect the Green ground input supply wire to the fixture Green ground wire. Do this by inserting it into the open hole in the push-in wire connector (included) that is attached to the Green ground wire in the fixture.
- c. Connect the White input supply wire to the fixture White wire. Do this by inserting it into the open hole in the push-in wire connector (included) that is attached to the White wire in the fixture.
- d. Connect the Black input supply wire to the fixture Black wire. Do this by inserting it into the open hole in the push-in wire connector (included) that is attached to the Black wire in the fixture. **Do not mix wires or change polarity.**
- e. Pull on each wire lead to make sure connections are secure. Make certain no bare wires are exposed outside of the wire connectors.
- f. Feed wires back into fixture, reattach adapter plate tighten screw, and attach the fixture to the base of the cabinet, with screws (2 & 3) as defined in mounting section.



6. Mounting

- A. Using captive screw hole locations for mounting the fixture (2 & 3), position the fixture in location intended for mounting. Mark the hole locations by using the screw-holes as a guide. Drill suitable holes in the marked positions. Mount the housing to desired surface with the 2 captive screws.

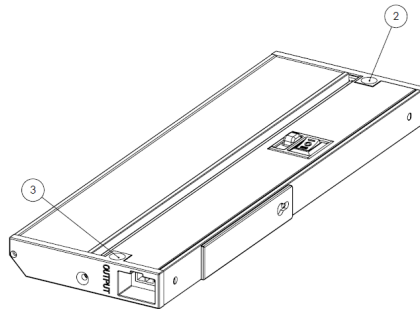


Figure 3

Limited Factory Warranty

AFX Inc. warrants this fixture is free from defects in materials and workmanship when installed and used under normal operating conditions for a period of 10 years from date of purchase. This warranty covers all component parts and extends only to replacement of defective fixture or components; it does not cover failure due to improper installation, misuse, mishandling or damage incurred in transit.