

Outdoor Wall Fixture

Models: 326950 (BWSW0810) & 326952 (BWSW0611)

LED Wall Pack

120VAC / 60Hz

Safety Precautions

Read all safety precautions and installation instructions carefully before installing or servicing this fixture. Failure to comply with these instructions could result in potentially fatal electric shock and/or property damage.

It is recommended that a qualified electrician perform all wiring. This fixture must be wired in accordance with all national and local electrical codes.

Do not handle any energized fixture or attempt to energize any fixture with wet hands or while standing on a wet or damp surface or in water.

This fixture is designed for use in a 110-120VAC, 60Hz fused circuit. Do not use on a dimming circuit.

To reduce the risk of electrical shock, and to assure proper operation, this fixture must be adequately grounded. To accomplish proper grounding, there must be a separate ground wire (green) contact between this fixture and the ground connection of your main power supply panel.

This fixture is intended to be used for general outdoor lighting in damp or wet locations.

ASSEMBLY INSTRUCTIONS

1. Preparing for installation

- A. **Disconnect electrical power** at fuse or circuit breaker box before installing or servicing any part of this fixture
- B. Carefully remove the fixture from the carton, and check that all parts are included as shown in figure below. Be careful not to misplace any of the screws or parts which are needed for installing the fixture

2. Wiring (all wiring must take place inside junction box)

Caution: Make sure power is off at fuse or circuit breaker box. Check power wires for damage or scrapes. If power supply wires are within three inches of the ballast power supply, use wire suitable for at least 90C (194F)

Note: Most dwellings built before 1985 have supply wire rated to 60C. Consult a qualified electrician before installing.

- A. Secure gem bar (1) on the junction box (not supplied) with two screws (2) (supplied)
- B. Using wire nuts (supplied), connect white (neutral) supply wire to white fixture wire; connect black (hot) supply wire to black fixture wire. Pull on each wire lead to verify all connections are secure. Make certain no bare wires are exposed outside of the wire nuts
- C. Connect the green wire from the power source to the green screw on the gem bar
- D. Tuck all connections neatly into junction box

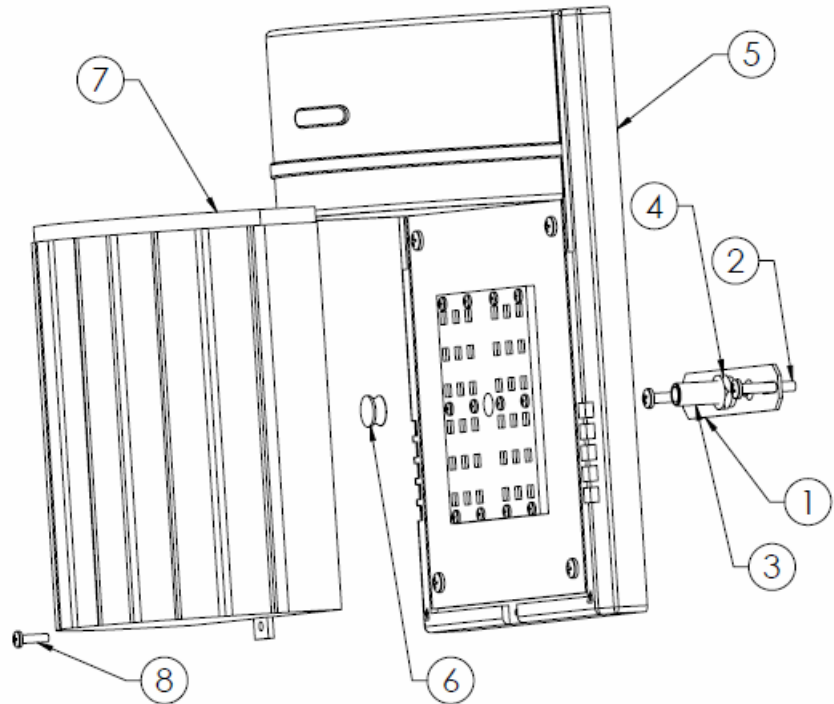
3. Mounting

- A. Thread nut (6) on stem (3). Adjust the length of the stem in the gem bar so that approx. 3/8" is exposed. Secure the necessary length with nut (4)
- B. Install backpan (5) over stem (3) and secure with the thumbnut (6)
- C. Apply a bead of silicone sealant (not supplied) around the perimeter of the wall plate following the manufacturer's instructions

4. Installing diffuser

- A. Align hole(s) in the diffuser (7) with hole(s) on the backpan. Secure shade with screw(s) (8)

5. Restore power at fuse or circuit breaker box



Limited Factory Warranty

AFX Inc. warrants this fixture is free from defects in materials and workmanship when installed and used under normal operating conditions for a period of 3 years from date of purchase. This warranty covers all component parts and extends only to replacement of defective fixture or components; it does not cover failure due to improper installation, misuse, mishandling or damage incurred in transit