

Safety Precautions

- Read all safety precautions and installation instructions carefully before installing or servicing this fixture. Failure to comply with these instructions could result in potentially fatal electric shock and/or property damage.
- It is recommended that a qualified electrician perform all wiring. This fixture must be wired in accordance with all national and local electrical codes.
- Do not handle any energized fixture or attempt to energize any fixture with wet hands or while standing on a wet or damp surface or in water.
- This fixture is designed for use in a 120VAC / 60Hz circuit. This fixture is not compatible with a dimming circuit.
- Make sure that the power source conforms to the requirements of the fixture. (See labels on the fixture housing).
- To reduce the risk of electrical shock, and to assure proper operation, this fixture must be adequately grounded. To accomplish proper grounding, there must be a separate ground wire (green) contact between this fixture and the ground connection of your main power supply panel.
- This fixture is intended to be used for general outdoor lighting in dry, damp, or wet locations. For wet locations, fixture must be mounted at least 48 inches above ground level.

Assembly Instructions

Step 1 – Preparing for installation

- A. **Disconnect electrical power** at fuse or circuit breaker box before installing or servicing any part of this fixture.
- B. Carefully remove the fixture from the carton, remove components from hardware kit.
- C. Install the flat mounting bar (1) to the junction box (not included) using two screws (3) to secure it.
- D. Position the offset gem bar (2) horizontally and tighten the screws in the center to secure it.

Wiring – All wiring must take place inside junction box (not included)

Caution: Make sure power is off at fuse or circuit breaker box. Check power wires for damage or scrapes. Use wire suitable for at least 90°C (194°F).

Note: Most dwellings built before 1985 have supply wire rated to 60°C. Consult a qualified electrician to ensure correct branch circuit conductor before installing.

Step 2 – Wiring fixture

- A. Make all wire connections to appropriate wire. Secure with wire nuts (provided).
- B. Connect the green wire from the fixture to the supply source ground wire.
- C. Connect the black wire from the fixture to the black (L) wire from supply power source.
- D. Connect the white wire from the fixture to the white (N) wire from supply power source.
- E. **Do not mix wires.** Pull on each wire lead to make sure connections are secure. Make certain no bare wires are exposed outside of wire connectors. Tuck all connections neatly into the junction box.

Step 3 – Mounting

- A. Align the mounting holes on the fixture (4) with the two mounting bracket screws and use two acorn nuts (5) to secure it.

Step 4 – For wet application

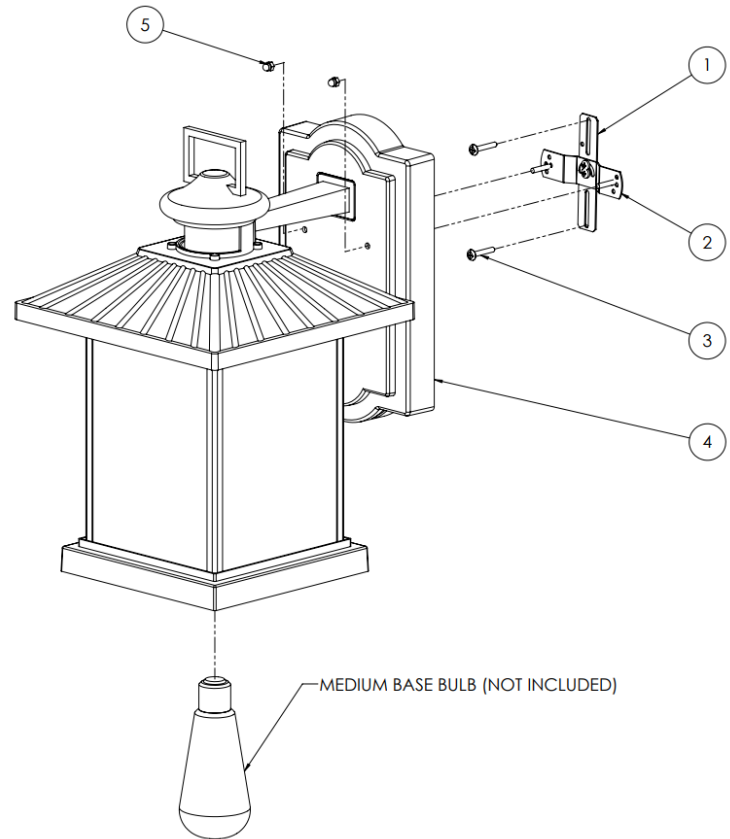
- A. Apply a small amount of silicone (not included) per manufacturer's recommendation around the perimeter of the fixture where it contacts the surface of the wall.

Step 5 – Lamping

- A. Install medium base bulb (E26, 60W max – not included) into the socket and turn clockwise until secured.

Step 6 – Restore power at fuse or circuit breaker box

Step 7 – See sheet 2 for reference guide to motion sensor and PIR operation modes



Limited Factory Warranty

AFX Inc. hereby warrants that this fixture is free from defects in materials and workmanship when installed and used under normal operating conditions for a period of 2 years from date of purchase. This warranty covers all component parts and extends only to replacement of defective fixture or components; it does not cover failure due to improper installation, misuse, mishandling or damage incurred in transit. For questions, please call AFX 1-800-873-2326.

E26 Bulb Outdoor Luminaires Wall Mount – Motion Sensor & PIR 120VAC / 60Hz

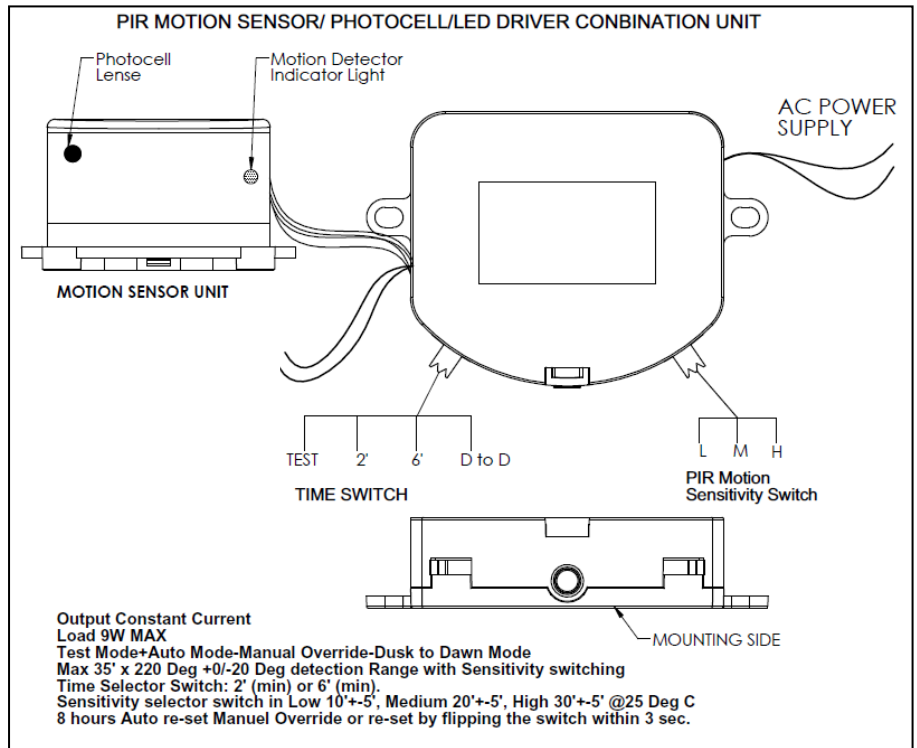
Part #: LNNW0914MBxx

Step 8 – Testing

- Note: Sensor has 1-2 minutes warm up period before it will detect motion. When first turned on, wait one to two minutes.
- Set the Time Switch to the "TEST" position and the Sensitivity Switch to "M" position. The lights turn off in about 5 seconds. Keep in mind a better sensitivity is achieved by walking across the coverage area, not walking toward or away from the motion sensor.
- Set the sensitivity to "H" position for the higher level and "L" for the lesser. You will reach approximately 30ft radius from the motion sensor if set to "H" position.

Step 9 – Time selector setup options

- Set the amount of time you want the lights to stay on after motion is detected: 2 or 6 minutes. After the selected amount of time, the light will automatically turn off.
- DUSK TO DAWN MODE:** Indicated as "D to D" ensures lights are nonoperational in daylight and only function at night. To activate, set Timer switch to "D to D" position.
- MANUAL ON AND OFF** with auto reset. Allows you to turn on and off your fixture by using the existing wall switch, regardless the presence of motion. To activate the feature, turn the wall switch off and then back on within 3 seconds, light will stay on continuously. The unit will turn off and reset itself to Auto Detection Mode after 8 hours. The feature can be manually de-activated. To do so, turn the wall switch off and then back on within 3 seconds. The light will turn off and unit will return to Auto Detection Mode.



OPERATION MODES

Modes	Sensitivity Switch Position	Timer Switch Position	Explanation
Stand-by Mode	L,M or H	Test, 2 or 6	STATE WHEN POWER IS TURN ON: If you have turned off the power for a long period of time and upon restoring power to the fixture, the light will turn on in 2 seconds and remain on for approximately 60 seconds regardless of motion. Then it will enter the Auto Detection Mode or Test Mode (depends on how Timer Switch is set)
Auto Detection Mode (2' or 6')	L,M or H	2 or 6	NORMAL MOTION DETECTION MODE: Motion detector turns your light on automatically after sensing moving heat sources in its coverage area at dusk, and stays on as long as motion is detected. When motion stops, light will remain on for the predetermined time you set (2 or 6 minutes), and then turn off automatically.
Test Mode (Test)	L,M or H	Test	SENSITIVITY ADJUSTMENT: Allows you to adjust the sensitivity of motion detector to a desired level at dusk or down. When motion stops, the light will turn off in about 5 seconds.
Manual Override Mode with Auto Reset	L,M or H	2 or 6	MANUAL ON AND OFF with Auto Reset: Allows you to turn on and off your fixture by using the existing wall switch, regardless the presence of motion. The manual override mode will work only when it is dark (light intensity level is below 30 Lux). The unit will reset itself back to Auto Detection Mode after 8 hours. It is also possible you de-activate the feature manually by the existing wall switch.
Dusk-to-Dawn Mode (D to D)	L,M or H	Dusk-to-Dawn	DUSK-TO-DAWN OPERATION ONLY: Light turns on at dusk and off at dawn automatically, regardless the presence of motion.

