

Safety Precautions

- Read all safety precautions and installation instructions carefully before installing or servicing this fixture. Failure to comply with these instructions could result in potentially fatal electric shock and/or property damage.
 - It is recommended that a qualified electrician perform all wiring. This fixture must be wired in accordance with all national and local electrical codes.
 - Do not handle any energized fixture or attempt to energize any fixture with wet hands or while standing on a wet or damp surface or in water.
 - This fixture is designed for use in a 120-277VAC, 50/60Hz circuit. This fixture is compatible with a TRIAC (forward-phase or leading-edge) / ELV (reverse-phase or trailing-edge) dimmer.
 - Make sure that the power source conforms to the requirements of the fixture. (See labels on the fixture housing).
 - To reduce the risk of electrical shock, and to assure proper operation, this fixture must be adequately grounded. To accomplish proper grounding, there must be a separate ground wire (green) contact between this fixture and the ground connection of your main power supply panel.
 - This fixture is intended to be used for general indoor lighting in dry, damp, or wet locations. For wet locations, fixture must be mounted at least 48 inches above ground level.
 - Disclaimer
 Changes or modifications not expressly approved by the party responsible for compliance could void the user's authority to operate the equipment. NOTE: This equipment has been tested and found to comply with the limits for a Class B digital device, pursuant to Part 15 of the FCC Rules and Canadian ICES-005 (B) / NMB-005 (B). These limits are designed to provide reasonable protection against harmful interference in a residential installation. This equipment generates, uses and can radiate radio frequency energy and, if not installed and used in accordance with the instructions, may cause harmful interference to radio communications. However, there is no guarantee that interference will not occur in a particular installation. If this equipment does cause harmful interference to radio or television reception, which can be determined by turning the equipment off and on, the user is encouraged to try to correct the interference by one or more of the following measures:
 - Reorient or relocate the receiver antenna.
 - Increase the separation between the equipment and receiver.
 - Connect the equipment into an outlet on a circuit different from that to which the receiver is connected.
 - Consult with the dealer or an experienced radio/TV technician for help.
- Any modifications to this fixture may void the warranty and interfere with the safe operation of the luminaire.
 Operation is subject to the following two conditions: (1) this device may not cause interference, and (2) this device must accept any interference, including interference that may cause undesired operation of the device.
- Please contact AFX Engineering Dep for FCC report at AFX, Inc., 2345 N. Ernie Krueger Circle, Waukegan, IL, USA or Telephone: 1-847-249-5970.

Assembly Instructions

Step 1 - Preparing for installation.

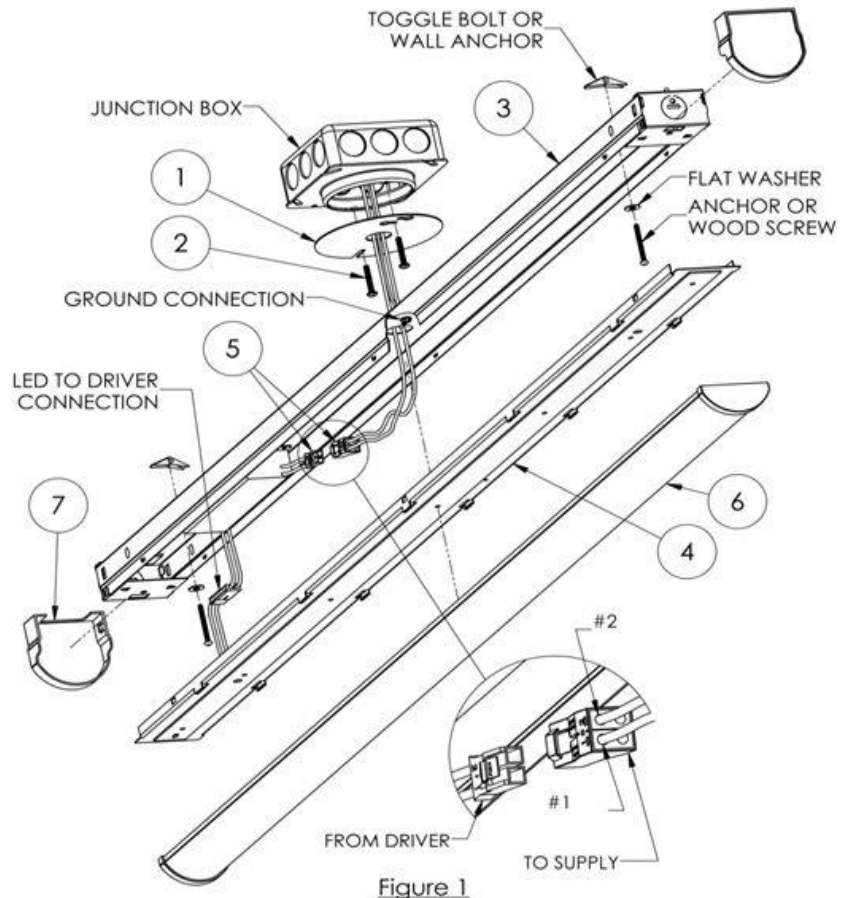
- Disconnect electrical power** at fuse or circuit breaker box before installing or servicing any part of this fixture.
- Carefully remove all items from the carton.
- Determine mounting location and remove knockout plug from the fixture (2).
- Remove diffuser (6) and channel cover (4).
- Mark two locations through the fixture for support screws (not included). For drywall application, drill for plastic anchors or toggle bolt (not included).
- Install round cover plate (1) by feeding all supply power wires through the opening then secure it to the junction box (not provided) with two screws (2).
- Install fixture (3) by feeding all supply power wires through the knockout opening then secure it to the ceiling with screws (not provided).

Wiring-all wiring must take place inside junction box (not included).

Caution: Make sure power is off at fuse or circuit breaker box. Check power wires for damage or scrapes. Use wire suitable for at least 90°C (194°F).
Note: Most dwellings built before 1985 have supply wire rated to 60C. Consult a qualified electrician before installing.

Step 2 – Wiring fixture.

- Make all wire connections to appropriate wire. Secure with wire nut and power connectors (supplied).
- Strip off 1/2" insulation to expose bare wires on supply power source black (L) and white (N).
- Insert the supply power source black (L) wire into a #1 position on the supply power connector per Figure 1.
- Insert the supply power source white (N) wire into a #2 position on the supply power connector per Figure 1.
- Connect the green wire from the fixture to the supply power source ground wire.
- Tuck all connections neatly into the junction box.



Step 3 – Mounting.

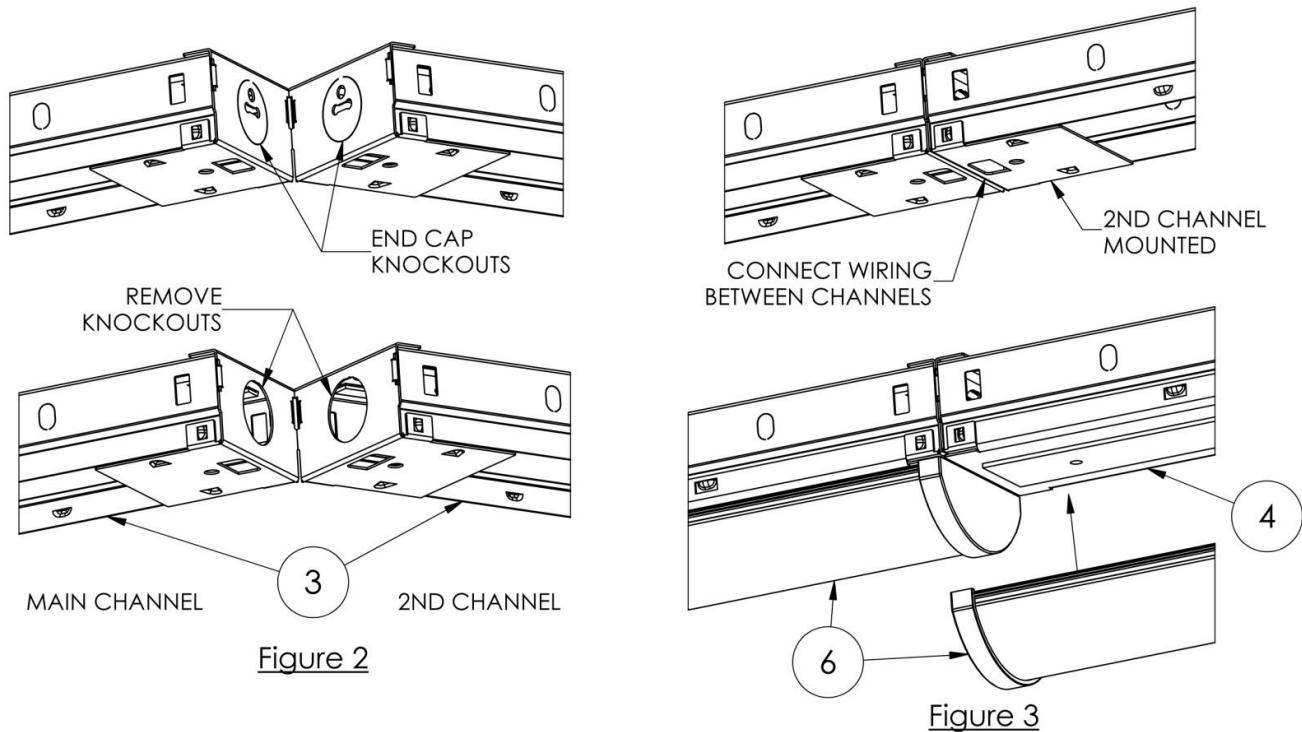
- A. Install channel cover (4) to the fixture by reconnecting all power connectors to their corresponding mating connectors. Then snap cover to the channel until all locking tabs on both sides are engaged.
- B. Snap the diffuser (6) into place over the LED panel (4).
- C. Decorative end caps (7) are optional and clip into slots on the channel for a finished appearance. Figure 1.

If only one unit is being installed, skip to **Step 5**.

Step 4 – Row Mounting.

- A. Fixtures can be used as one continuous unit by joining end to end as shown in Figure 2 & 3. Remove appropriate knockouts on both fixtures for this option.
- B. After the main fixture is secured, line up the next fixture with the previous and repeat all necessary steps. Use steel EMT conduit fittings (not provided) to join fixtures.
- C. Make wiring connections between the second and first fixture through the end plate knockout holes, Figure 2 & 3.
- D. Note that decorative end caps may only be used on the outside ends, not between the fixtures joined.

Step 5 - Restore power at fuse or circuit breaker box.



Limited Factory Warranty

This product is manufactured by AFX Inc. AFX warrants this fixture is free from defects in materials and workmanship when installed and used under normal operating conditions for a period of 5 years from date of purchase. This warranty covers all component parts and extends only to replacement of defective fixture or components; it does not cover failure due to improper installation, misuse, mishandling or damage incurred in transit. For questions, please call AFX at 1-800-873-2326.