

Safety Precautions

- Read all safety precautions and installation instructions carefully before installing or servicing this fixture. Failure to comply with these instructions could result in potentially fatal electric shock and/or property damage.
- It is recommended that a qualified electrician perform all wiring. This fixture must be wired in accordance with all national and local electrical codes.
- Do not handle any energized fixture or attempt to energize any fixture with wet hands or while standing on a wet or damp surface or in water.
- UD fixtures are designed for use in a 120-277V AC, 60Hz fused circuit. This fixture is compatible with TRIAC (forward-phase or leading-edge) / ELV (reverse-phase or trailing-edge) and 0-10 V dimmers.
- To reduce the risk of electrical shock, and to assure proper operation, this fixture must be adequately grounded. To accomplish proper grounding, there must be a separate ground wire (green) contact between this fixture and the ground connection of your main power supply panel.
- This fixture is intended to be used for general indoor lighting in dry or damp locations.
- Disclaimer

Changes or modifications not expressly approved by the party responsible for compliance could void the user's authority to operate the equipment. NOTE: This equipment has been tested and found to comply with the limits for a Class B digital device, pursuant to Part 15 of the FCC Rules and Canadian ICES-005 (B) / NMB-005 (B). These limits are designed to provide reasonable protection against harmful interference in a residential installation. This equipment generates, uses and can radiate radio frequency energy and, if not installed and used in accordance with the instructions, may cause harmful interference to radio communications. However, there is no guarantee that interference will not occur in a particular installation. If this equipment does cause harmful interference to radio or television reception, which can be determined by turning the equipment off and on, the user is encouraged to try to correct the interference by one or more of the following measures:

- Reorient or relocate the receiver antenna.
- Increase the separation between the equipment and receiver.
- Connect the equipment into an outlet on a circuit different from that to which the receiver is connected.
- Consult with the dealer or an experienced radio/TV technician for help.

Any modifications to this fixture may void the warranty and interfere with the safe operation of the luminaire.

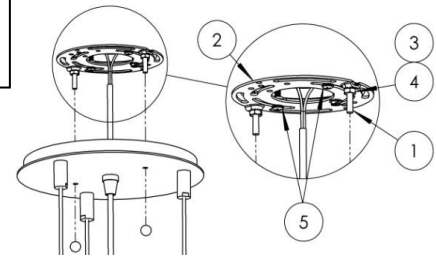
Operation is subject to the following two conditions: (1) this device may not cause interference, and (2) this device must accept any interference, including interference that may cause undesired operation of the device.

Assembly Instructions

Step 1 – Preparing for installation (Fig 1)

- Disconnect electrical power** at fuse or circuit breaker box before installing or servicing any part of this fixture.
 - Remove fixture and hardware bag from carton to verify content needed to fully assemble the pendant.
 - Install the short screws (1) with lock washers (3) and hex nuts (4) (all provided) into the offset holes of the round mounting bracket (2) as shown in Fig 1 & 2. Be sure the two screws (1) line up with holes in canopy (6) and point away from junction box (not provided).
- Note: The short screws may require adjustment to secure the two ball nuts (7) at the proper location.**
- Install and secure the round mounting bracket assembly to the junction box in ceiling with the longer screws (5) provided (Fig. 1).

For reference only.
 Individual models
 may vary.



Step 2 – Assembly fixture (Fig 2, 3, 4)

- A center pipe stem is supplied with this fixture consisting of up to three, 12" long pipe sections (16) to be connected with pipe nipples (14). Pre-assemble pipe stem. Using the nut & washers from strain relief (8), attach swivel (15) with nipple (14). Attach (pre-assembled) pipe stem to swivel. Route the power cord (9) from the pan nipple, through the hardware and center hole of outer diffuser per Fig 4. Attach the shade. Continue routing cord through pipe stem first, before attaching to fixture (Fig 2) above washer (17), nut (18) & diffuser (19).
 - Feed the three aircraft cables (11) to the connectors (12) that are mounted on the pan. Insert the cable by pressing the "Spring Pin" (12) (Fig. 2) downward and holding until it comes out at the other end. Repeat these steps for the other cables.
- Note: Cable length adjustments might be needed again for the correct cord length, alignment and be equal to the center pipe stem length.**
- Take the fixture power cord wires (9) (Fig 2) and route from fixture, through the pipe stem, up through the canopy (6) to the junction box.
 - Before cutting the cord, measure the desired cord length for pendant mounting.

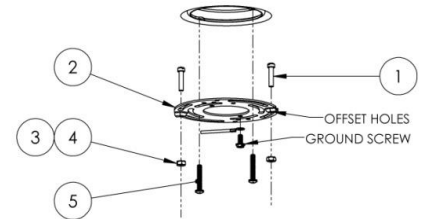


FIG 1

Wiring – All wiring must take place inside junction box (not included)

Caution: Make sure power is off at fuse or circuit breaker box. Check power wires for damage or scrapes. If power supply wires are within three inches of the LED driver, use wire suitable for at least 90°C (194°F).
Note: Most dwellings built before 1985 have supply wire rated to 60°C. Consult a qualified electrician before installing.

Step 3 – Wiring fixture

- Make all wire connections to appropriate wire. Secure with wire nuts (provided).
- Connect the green fixture lead to the supply power source ground wire.
- For NEC (National Electrical Code) requirements, cut the cord about 7" above the canopy (6). Cut the cord outside jacket insulation about 3" from canopy (6) and then strip 3/8" from the ends of the three wires (13).
- For none-dimming fixture.** Connect white fixture to white (N) wire from supply wire source. Connect black fixture lead to black (L) wire from supply power source. Gray and purple wires are not to be used and must be individually capped to prevent shorting.
- For TRIAC dimming.** Connect white fixture lead to white (N) wire from dimming source per dimming wire instructions. Connect black fixture lead to black (L) wire from dimmer supply power source. Gray and purple wires are not to be used and must be individually capped to prevent shorting.

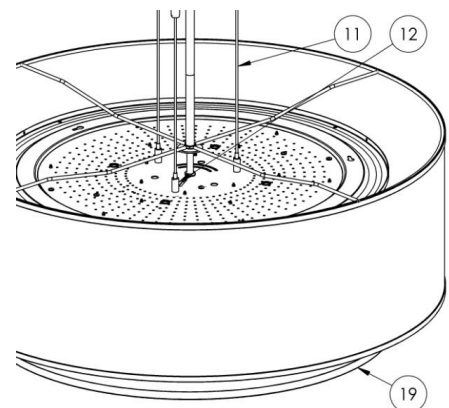


FIG 2

LED Indoor Luminaires Pendant 120-277VAC / 60Hz

Model: DYP2432LAJUDSN
DYP3044LAJUDSN

- F. **For (0-10V) dimming fixture.** Connect gray source wire from the fixture to the dimmer source gray wire. Connect purple wire from the fixture to the dimmer source purple wire. Connect white fixture lead to white (N) wire from supply power source. Connect black fixture lead to black (L) wire from dimmer supply power source.
- G. **Do not mix wires.** Pull on each wire lead to make sure connections are secure. Make certain no bare wires are exposed outside of wire connectors. Tuck all connections neatly into junction box.

Step 4 – Adjusting fixture height (Fig 3)

- A. Adjust the aircraft cables up and down by pressing the “Spring Pin” (12) downward and holding until the proper cable length is attained based on the center pipe stem length so they are taught and even.
- B. Repeat step A for the other two cables.
- Note: Extra cable length should be looped, tied, or cut to minimize light shadows within the diffuser.**

Step 5 – Color changing temperature adjustment, CCT (if desired)

- A. Adjust the two switches accordingly to the desired color temperature as seen below. Note: Fixture is preset to 3500K from factory.

COLOR TEMPERATURE ADJUSTMENT SETTING



Step 6 – Mounting

- A. Line up the two holes in the canopy (6) with the two screws in the round mounting bracket (2). Secure fixture to screws (1) with two thumb ball nuts (7).
- B. Diffuser (19) is assembled with long pipe nipple (20), hex coupling (21), and nut (18) and is installed from under the fixture. Install the long nipple (20) to the hub as shown in Fig 3 & 4. Be sure the threaded washer (22) is threaded about 1/2" up onto the nipple (20).
- C. Install the metal trim ring (23) to the inner diffuser's wire form and set the plastic LENS (24) into the trim ring. Insert the LENS into the long nipple (20) through the center hole. Thread the finial (25) onto the end of the nipple and secure, completing the installation as shown in Fig 5.

Step 7 – Restore power at fuse or circuit breaker box

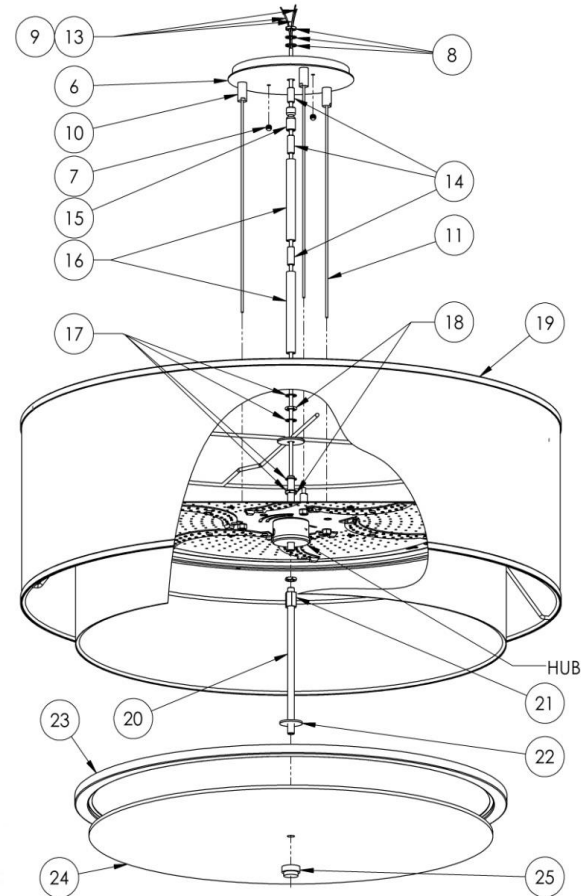


FIG 3

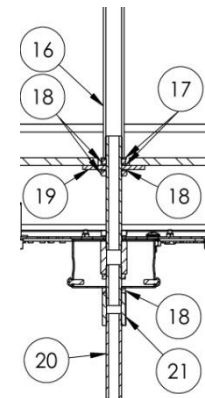


FIG 4

For your information: This LENS is at the bottom of the foam/packaging so take care that it is not discarded!

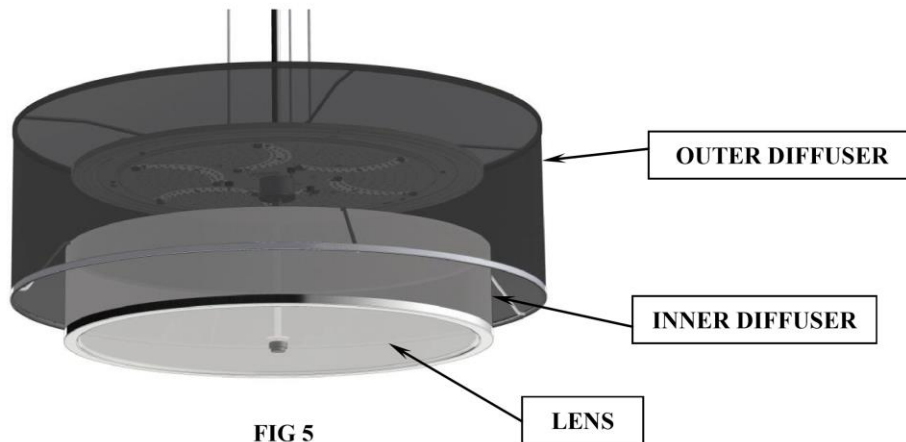


FIG 5

Limited Factory Warranty

AFX Inc. hereby warrants that this fixture is free from defects in materials and workmanship when installed and used under normal operating conditions for a period of 5 years from date of shipment from factory. This warranty covers all component parts and extends only to replacement of defective fixture or components; it does not cover failure due to improper installation, misuse, mishandling or damage incurred in transit.