

# LED Pendant Series

Model: AGP

# LED Pendant Light D2 Fixtures

## Safety Precautions

Read all safety precautions and installation instructions carefully before installing or servicing this fixture. Failure to comply with these instructions could result in potentially fatal electric shock and/or property damage.

It is recommended that a qualified electrician perform all wiring. This fixture must be wired in accordance with all national and local electrical codes.

Do not handle any energized fixture or attempt to energize any fixture with wet hands or while standing on a wet or damp surface or in water.

Make sure the power source conforms to the requirements of the fixture. (See labels on fixture housing)

This fixture is designed for use in a 120-277 VAC, 60Hz fused circuit. The fixture is compatible with TRIAC (forward-phase or leading-edge) / ELV (reverse-phase or trailing-edge) and 0-10 V dimmers.

To reduce the risk of electrical shock, and to assure proper operation, this fixture must be adequately grounded. To accomplish proper grounding, there must be a separate ground wire (green) or bare metal contact (metal conduit) between this fixture and the ground connection of your main power supply panel. The green ground screw location is clearly marked on the fixture housing.

**This fixture is intended for use for general indoor lighting in dry or damp locations only.**

## Assembly Instructions

### 1. Preparing for installation

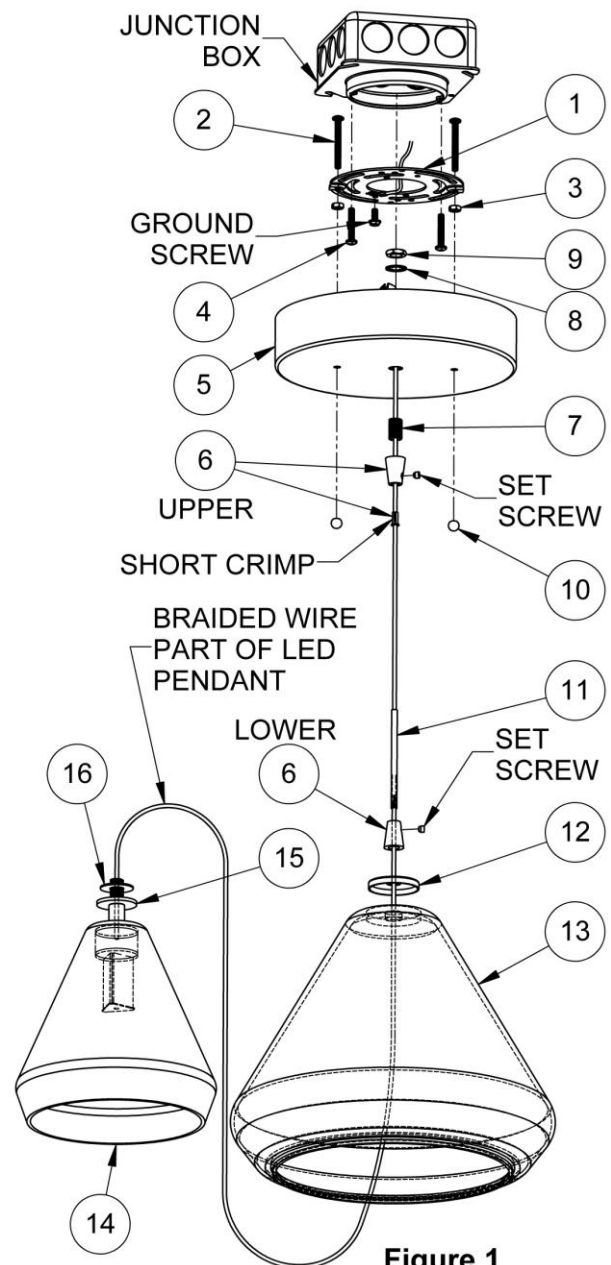
- Disconnect electrical power** before installing or servicing any part of this fixture.
- Remove light fixture, hardware, canopy and parts bag from carton.
- Thread two 1-1/2" long screws (2) into recessed tapped holes in gem bar (1). Secure these with nut (3) per [Figure 1 & 4](#).
- Mount gem bar (1), (2) & (3) to junction box with two shorter screws (4).
- Securely attach green (or green and yellow) wire from supply to green ground screw in gem bar (1). **This unit will not operate properly unless connected to a "grounded" electrical circuit. Electrical shock, overheating, low or no light output, and shortened lamp life can result if proper grounding is not done.**
- With gem bar installed on junction box, take canopy (5) and check that the holes line up with the screws (2) in the gem bar (as they may become slightly skewed from tightening or bending of the gem bar). If not, gently push screws together or pull apart so they line up.

### 2. Pendant Glass Assembly

- Uncoil braided wire, part of LED pendant inner glass assembly (14) and thread the loose end through outer glass (13), cap (12), lower strain relief, (6), long crimp (11) per [Figure 1](#). Remove the tape from the nipple near rubber washer (16). Make sure threaded washer (15) is snug against the stem with approx. 11/16" to 7/10" of threaded nipple above (15) per [Figure 2](#).
- Carefully bring (14) up into the outer glass (13) with rubber washer (16) against the inside top of the glass. Hold onto the braided wire allowing the pendant to hang. There should be about 1/4" of threaded nipple above the cap [Figure 2](#). With the cap (12) on top of (13), thread the lower strain relief (6) onto the nipple. Make any adjustments so the inner and outer glass are centered. Hold inner glass and hand tighten by (6) so the whole assembly is snug. **Do not over tighten.**
- Insert the long crimp (11) into the top of (6) so that the slot is about 90° to the set screw, and far enough in so the slot in [Figure 2](#) isn't showing. Tighten set screw using hex-wrench provided. **Do not over tighten or thread the set screw into the slot of crimp.**

### 3. Fixture Assembly

- Thread wire thru small end of cone shaped upper strain relief (6) first, with flange end of crimp so all face down toward LED pendant, [Figure 1](#).
- Temporarily secure strain relief onto braided wire at desired height by tightening set screw using hex-wrench provided. **Do not over tighten!**
- Feed the braided wire through these items in the following order above (6): nipple (7), center hole of the canopy (5), lock washer (8) and jam nut (9) per [Figure 1 & 4](#). Thread strain relief onto nipple. Place nipple in center hole of canopy. Tighten jam nut with lock washer onto nipple, inside of canopy.
- Prepare the outer braided wire (-) and insulated center conductor (+) for wiring onto LED driver.



**Figure 1**

# LED Pendant Series

Model: AGP

# LED Pendant Light

D2 Fixtures

- E. A strip of double sided adhesive tape is provided to affix the driver to the canopy. Affix to bottom of driver and driver to inside of canopy (5) without covering any holes as in [Figure 3](#).
- F. Connect braided wire from LED pendant (14), to driver with two blue wire nuts as shown in [Figure 3](#):  
The (+) from (14) insulated center conductor, to the (+) red wire from driver.  
The (-) from (14) braided wire to (-) blue wire from driver. Excess braided wire to be coiled up inside the canopy.
- G. Attach small end of connector (included in parts bag), to black (hot) & white (neutral) driver wires for connecting to supply.

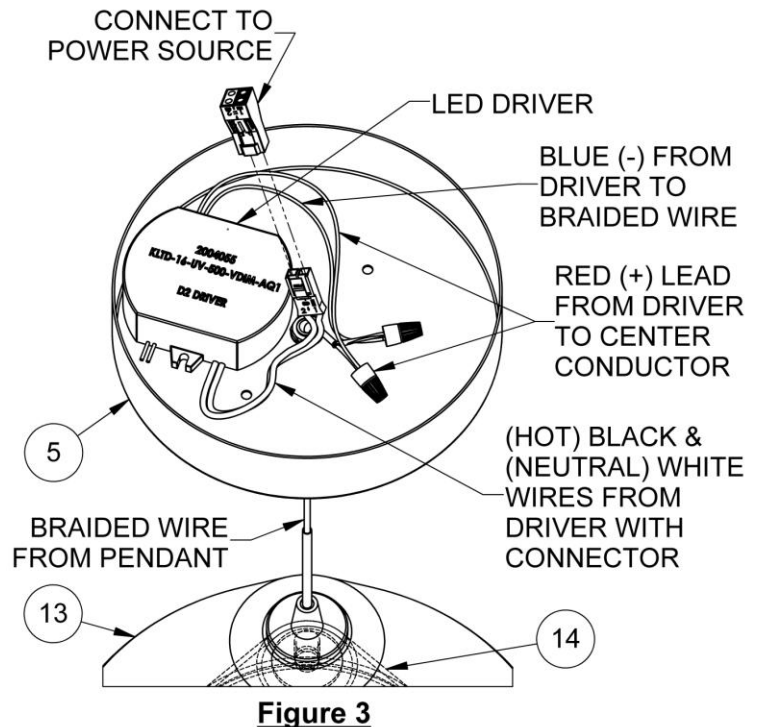
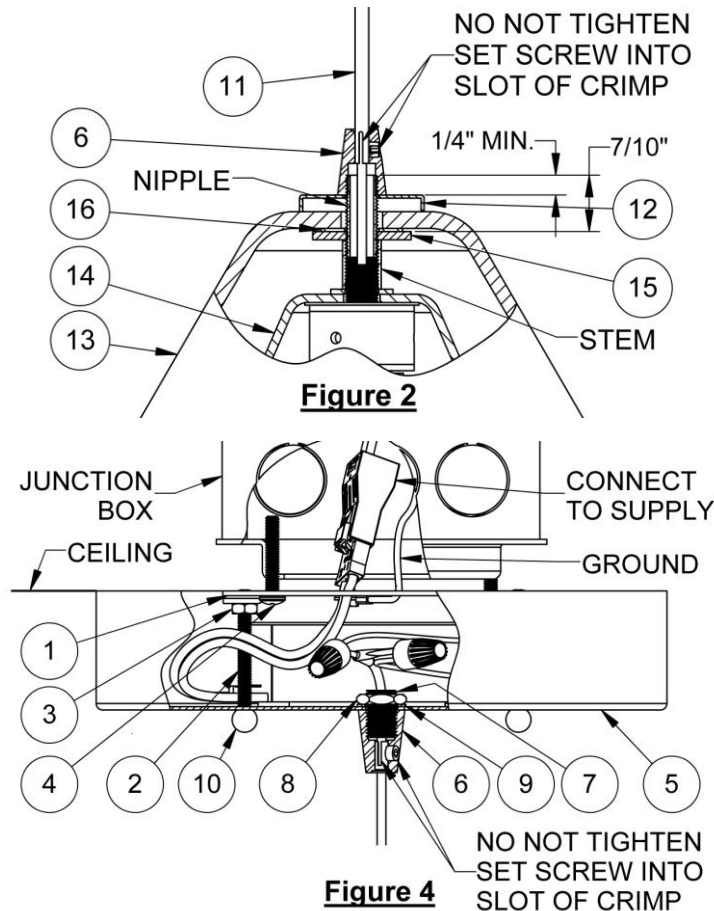
## 4. Fixture Mounting & Wiring-

**All 120VAC wiring must take place inside junction box.**

**Caution:** Make sure power is off at fuse or circuit breaker box. Check power wires for damage or scrapes. If power supply wires are within three inches of driver, use wire suitable for at least 90C (194F). **Note:** Most dwellings built before 1985 have supply wire rated to 60C. Consult a qualified electrician before installing.

- A. Remove the large end of the power connector from the driver [Figure 3](#) and attach it to the (+) and (-) supply wires up in the junction box. Make sure the connected supply wires are secure and tucked inside of junction box.
- B. Bring the assembled fixture with canopy up to the junction box in the ceiling.
- C. Plug the connector from driver into the supply from junction box, [Figure 4](#).
- D. Place the canopy (5) onto the two screws (2) from gem bar (1). Insert any wires that may be protruding around the top of the canopy so it sits flush against the ceiling, [Figure 4](#).
- E. Secure with two finial nuts (10) onto the gem bar screws.
- F. To make any final adjustment to the pendant length, loosen set screw of upper strain relief (6) using hex-wrench provided. Raise or lower pendant light to desired height pushing excess wire into the canopy, or lower, bringing more wire out of the canopy.
- E. Re-tighten set screw making sure short crimp is inserted fully into upper strain relief (6), and the slot of crimp is not facing the set screw, [Figure 1 & 4](#). **NOTE: Tighten set screw enough so that the wire is secure. Do not over-tighten. Recommended torque = 10 in-lbs.**

## 5. Restore power at the fuse or breaker box.



### Limited Factory Warranty

AFX Inc. hereby warranty that this fixture is free from defects in materials and workmanship when installed and used under normal operating conditions for a period of 5 years from date of shipment from factory. This warranty covers all component parts and extends only to replacement of defective fixture or components; it does not cover failure due to improper installation, misuse, mishandling or damage incurred in transit.