

LED Pendant Series

Model: AGP

LED Pendant Light

D1 Fixtures

Safety Precautions

Read all safety precautions and installation instructions carefully before installing or servicing this fixture. Failure to comply with these instructions could result in potentially fatal electric shock and/or property damage.

It is recommended that a qualified electrician perform all wiring. This fixture must be wired in accordance with all national and local electrical codes.

Do not handle any energized fixture or attempt to energize any fixture with wet hands or while standing on a wet or damp surface or in water.

Make sure the power source conforms to the requirements of the fixture. (See labels on fixture housing)

D1 fixtures are designed for use in a 120 VAC, 60Hz fused circuit. The fixture is compatible with TRIAC (forward-phase or leading-edge) / ELV (reverse-phase or trailing-edge) dimming.

To reduce the risk of electrical shock, and to assure proper operation, this fixture must be adequately grounded. To accomplish proper grounding, there must be a separate ground wire (green) or bare metal contact (metal conduit) between this fixture and the ground connection of your main power supply panel. The green ground screw location is clearly marked on the fixture housing.

This fixture is intended for use for general indoor lighting in dry or damp locations only.

Assembly Instructions

1. Preparing for installation

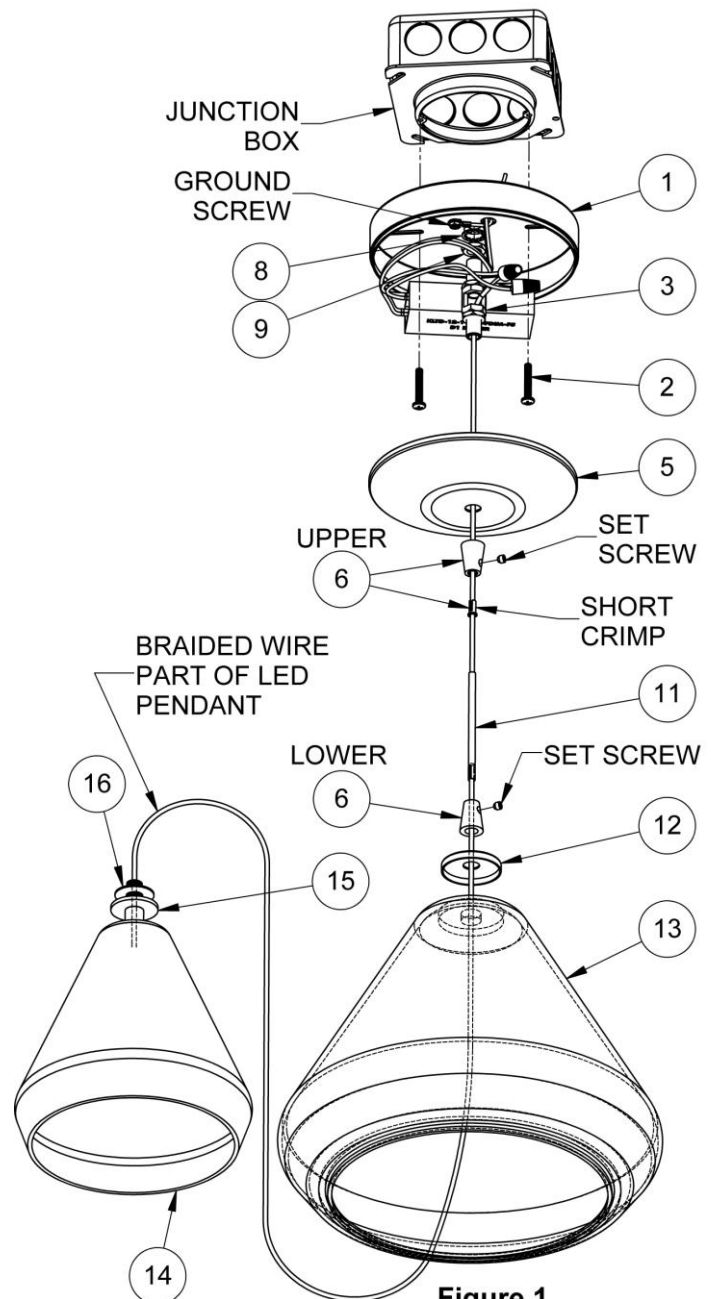
- A. **Disconnect electrical power** before installing or servicing any part of this fixture.
- B. Remove light fixture, hardware, canopy and parts bag from carton.

2. Pendant Glass Assembly

- A. Uncoil braided wire, part of LED pendant inner glass assembly (14) and thread the loose end through outer glass (13), cap (12), lower strain relief, (6), long crimp (11) per [Figure 1](#). Remove the tape from the nipple near rubber washer (16). Make sure threaded washer (15) is snug against the stem with approx. 11/16" to 7/10" of threaded nipple above (15) per [Figure 2](#).
- B. Carefully bring (14) up into the outer glass (13) with rubber washer (16) against the inside top of the glass. Hold onto the braided wire allowing the pendant to hang. There should be about 1/4" of threaded nipple above the cap [Figure 2](#). With the cap (12) on top of (13), thread the lower strain relief (6) onto the nipple. Make any adjustments so the inner and outer glass are centered. Hold inner glass and hand tighten by (6) so the whole assembly is snug. **Do not over tighten.**
- C. Insert the long crimp (11) into the top of (6) so that the slot is about 90° to the set screw, and far enough in so the slot in [Figure 2](#) isn't showing. Tighten set screw using hex-wrench provided. **Do not over tighten or thread the set screw into the slot of crimp.**

3. Fixture Pre Assembly

- D. Uncoil braided wire, part of LED pendant (14) and thread the loose end through upper strain relief, (6). Thread thru small end of cone shaped part (6) first with flange end of crimp so all face down toward LED pendant, [Figure 1](#).
- E. Temporarily secure strain relief onto braided wire at desired height by tightening set screw using hex-wrench provided. **Do not over tighten!**
- F. Feed the braided wire through the center hole of decorative canopy (5) and move it down to strain relief (6) position.
- G. Prepare the outer braided wire (-) and insulated conductor (+) for wiring onto LED driver.
- H. Thread nipple/hickey assembly (3) into (1) and secure from rotating by tightening with washer & jam nut (8 & 9) against the isolation canopy per [Figure 1](#) & 4. *NOTE: The nipple should extend 1-3/4" down from the bottom of isolation canopy.*
- I. A strip of double sided adhesive tape is provided to affix the driver to the isolation canopy. Affix to the isolation canopy (1) without blocking any openings.



LED Pendant Series

Model: AGP

LED Pendant Light

D1 Fixtures

4. Fixture Mounting & Wiring

All 120VAC wiring must take place inside junction box.

Caution: Make sure power is off at fuse or circuit breaker box. Check power wires for damage or scrapes. If power supply wires are within three inches of driver, use wire suitable for at least 90C (194F). **Note:** Most dwellings built before 1985 have supply wire rated to 60C. Consult a qualified electrician before installing.

- A. Feed the black and white supply wires from the LED driver through the off-center hole in the isolation canopy (1), Figure 3.
- B. *This unit will not operate properly unless connected to a "grounded" electrical circuit. Electrical shock, overheating, low or no light output, and shortened lamp life can result if proper grounding is not done. Securely attach green (or green and yellow) wire from supply to green ground screw in the isolation canopy (1).*
- C. Observing wire color convention, connect (hot) supply wire to black driver lead. Connect white (common) supply wire to white driver lead. Secure with orange wire nuts. Pull on each wire lead to make sure connections are secure. Make certain no bare wire is exposed outside of wire nuts.
- D. Place isolation canopy (1) with LED driver affixed, over junction box with connected supply wires tucked inside of junction box. Secure to the junction box with two machine screws (2) making sure the isolation canopy is flush with the ceiling, Figure 4.
- E. Feed braided wire from LED pendant (14) (with strain relief and decorative canopy), into the bottom of nipple/hickey assembly (3) and out the wire opening of (3), Figure 1 & 4.
- F. Connect braided wire from LED pendant (14), to driver with two blue wire nuts as follows:
The (+) from (14) insulated center conductor, to the (+) red wire from driver.
The (-) from (14) braided wire to (-) black or blue wire from driver. Excess braided wire fed out of wire opening of (3) to be coiled up inside the canopy.
- G. Loosen set screw using hex-wrench provided to make any final adjustment to the of the pendant length. Raise pendant light to desired height.
- H. Place the decorative canopy (5) onto the bottom nipple of (3). Push the decorative canopy over the lip of the isolation canopy (1), inserting any protruding wires so it will go on evenly all around.
- I. Thread canopy strain relief onto bottom of nipple until tight.
- J. Tighten set screw making sure crimp is inserted fully into (6), Figure 1 & 4. **NOTE: Tighten set screw enough so that the cable is secure. Do not over-tighten. Recommended torque = 10 in-lbs.**

5. Restore power at the fuse or breaker box.

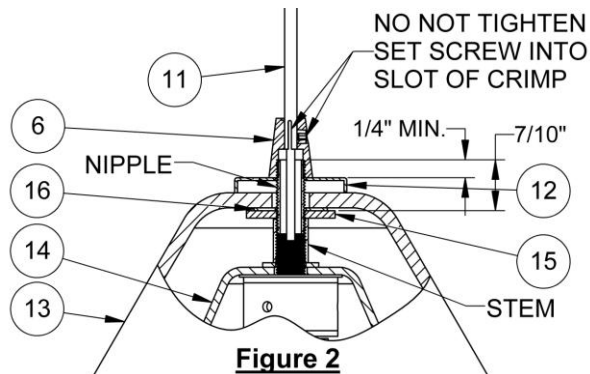


Figure 2

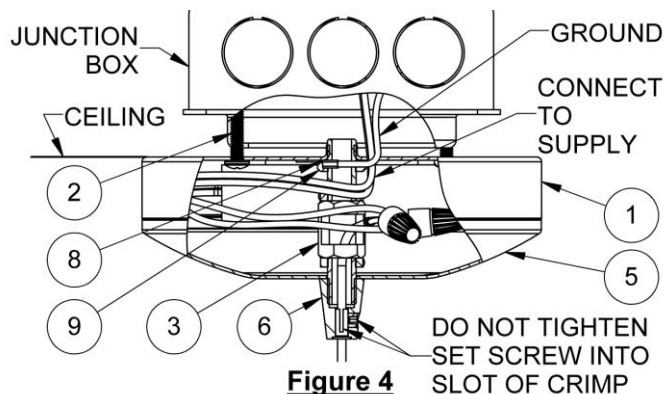


Figure 4

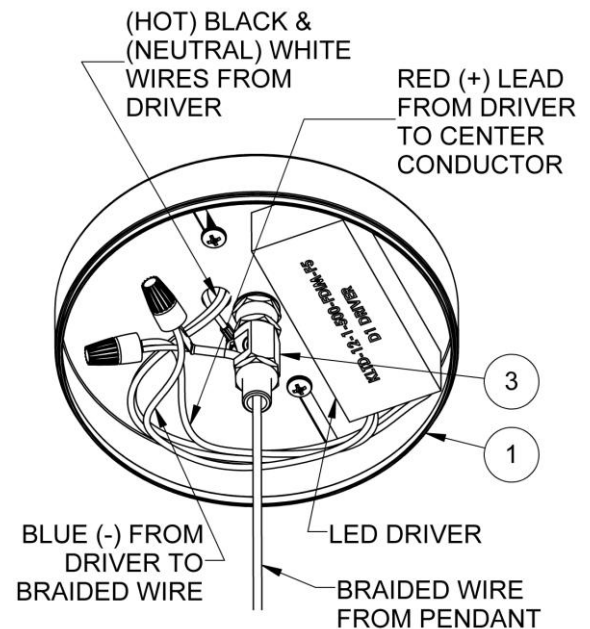


Figure 3

Limited Factory Warranty

AFX Inc. hereby warrants that this fixture is free from defects in materials and workmanship when installed and used under normal operating conditions for a period of 5 years from date of shipment from factory. This warranty covers all component parts and extends only to replacement of defective fixture or components; it does not cover failure due to improper installation, misuse, mishandling or damage incurred in transit.