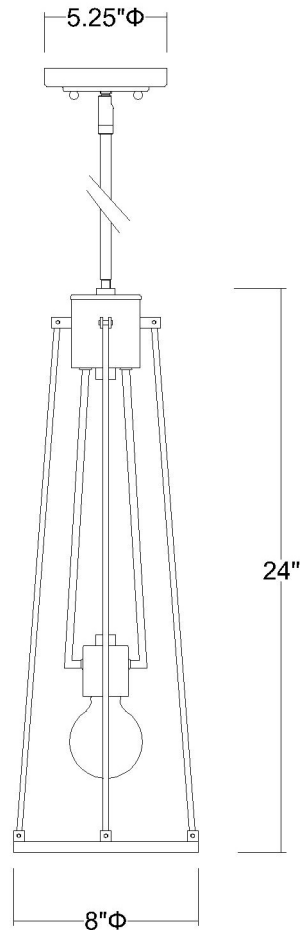


# IN21204ORB JADE 1-LIGHT PENDANT



|                          |                      |
|--------------------------|----------------------|
| <b>Description:</b>      | Jade 1-light pendant |
| <b>Finish:</b>           | Oil-rubbed bronze    |
| <b>Dimensions:</b>       | 8" D x 24" H         |
| <b>Bulbs:</b>            | 1-100w medium        |
| <b>Installed Weight:</b> | 4.7 lbs.             |
| <b>Certification:</b>    | Dry location / c UL  |

|                             |  |
|-----------------------------|--|
| <b>Material:</b>            | Iron                                       |
| <b>Shades:</b>              | NA   |
| <b>Glass:</b>               | NA   |
| <b>Canopy Dimensions:</b>   | 5-1/4" dia.                                |
| <b>Stems:</b>               | 12' wire, 45" stems<br>(3-12", 1-6", 1-3") |
| <b>Additional Finishes:</b> | Polished nickel                            |