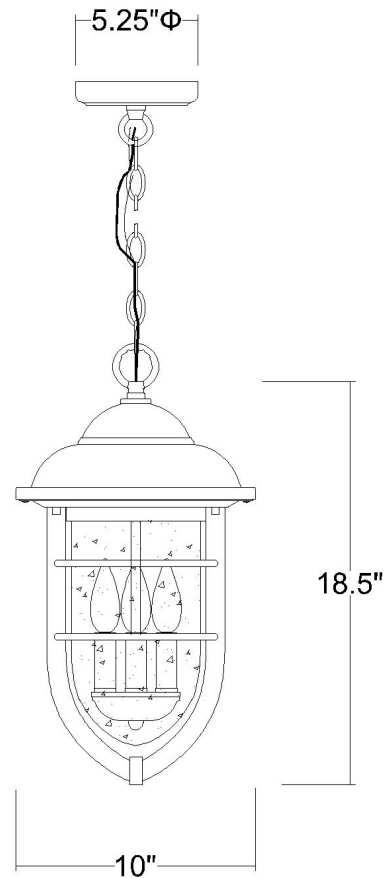


1716CH

DYLAN 3-LIGHT HANGING LANTERN



Description: Dylan 3-Light Hanging Lantern

Finish: Chrome

Dimensions: 10" Dia. x 18-1/2" H

Bulbs: 3-60W Cand.

Installed Weight: 6.8 lbs.

Certification: cETL / damp location

Material: Steel and glass

Shades: NA

Glass: Clear Seeded

Canopy Dimensions: 5-1/4" Dia.

Chain/Wire: 5' Chain, 10' Wire

Additional Finishes: ORB