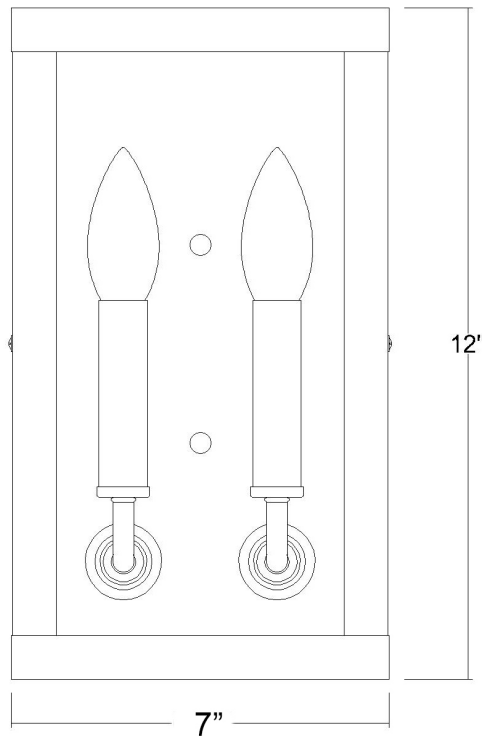
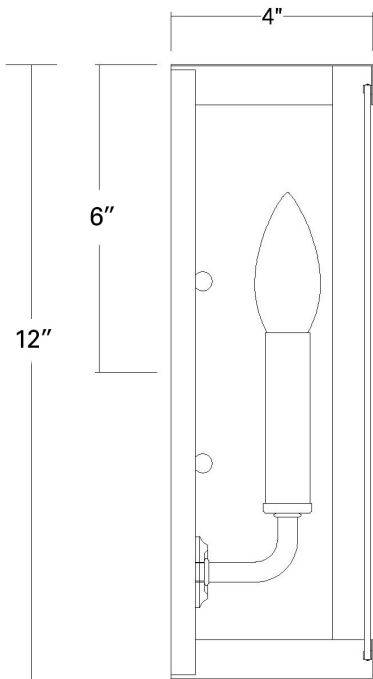


1520ORB

CHARLESTON 2-LIGHT WALL SCONCE

Side View

Front View



| | |
|--------------------------|------------------------------------------------|
| Description: | Charleston 2-light wall sconce |
| Finish: | Oil-rubbed bronze |
| Dimensions: | 7" W x 12" H x 4" ext. Height on center: 6" |
| Bulbs: | 2-60w candelabra |
| Installed Weight: | 4.5 lbs. |
| Certification: | Wet location / ETL |

| | |
|-------------------------------|---------------------------|
| Material: | Stainless steel and glass |
| Shade: | NA |
| Glass: | Clear water glass |
| Back Plate Dimensions: | 6-3/4" x 12" |
| Chain/Wire: | NA |
| Additional Finishes: | Antique brass |